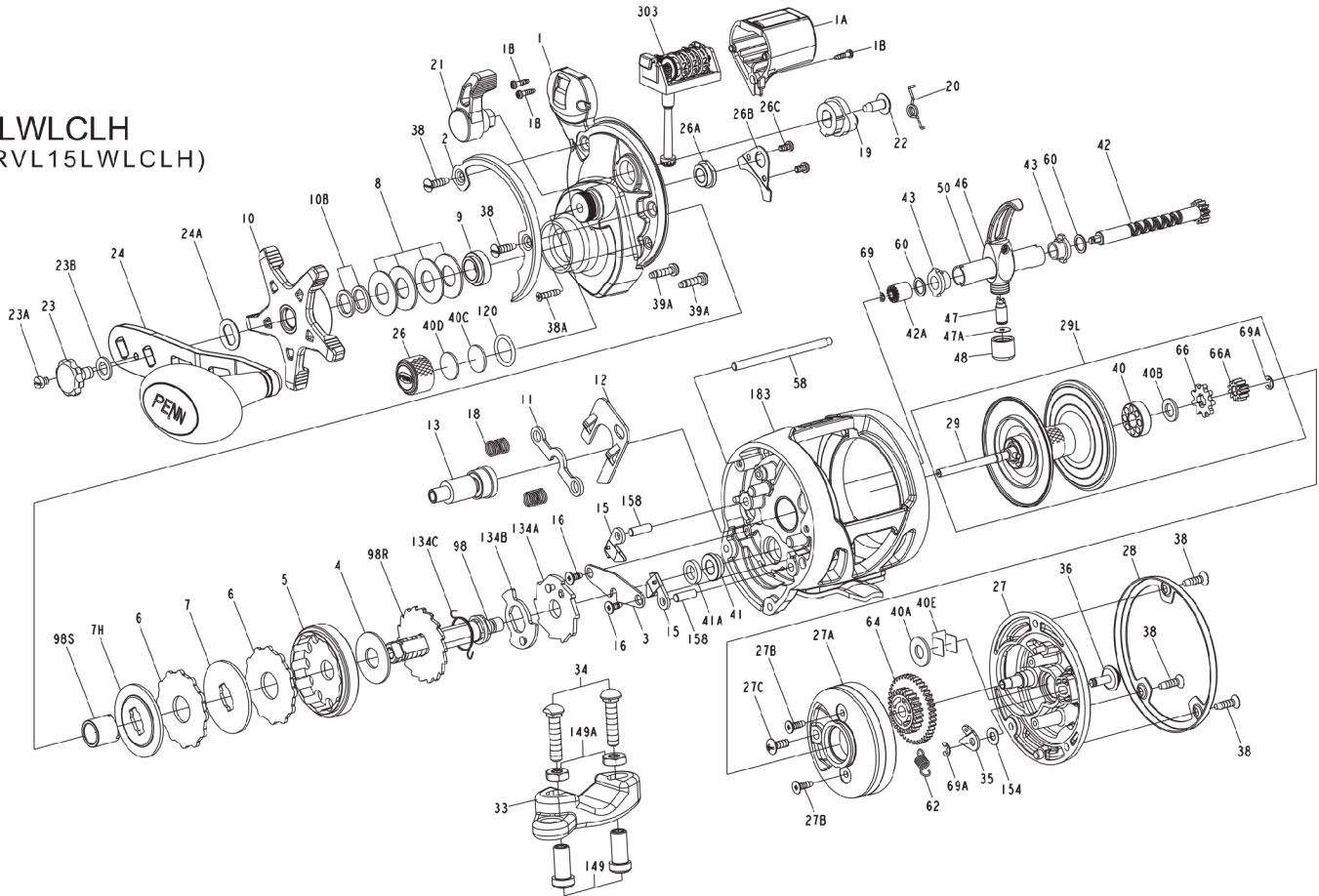




**PARTS LIST FOR RVL15LWLCLH**  
 REEL ASM. Nos. 1403994(RVL15LWLCLH)



[www.PENNparts.com](http://www.PENNparts.com)



**Penn Parts Dept.**  
 945 Radio Road  
 Tuckerton NJ 08087  
 (609) 296-1300

**No Minimum Order!**  
**Plus, Parts in stock**  
**that Penn doesn't**  
**carry anymore.**

**SBT Ver. 091116**

**(Based on Penn's Rev. 0, 10-19-15)**

**Penn Reel Parts list for Model: Rival Levelwind RVL15LWLCLH Line Counter Version (Left Handed)**

| <u>KEY #</u> | <u>PUREFISHING #</u> | <u>PENN PART #</u> | <u>DESCRIPTION</u>                        | <u>KEY #</u> | <u>PUREFISHING #</u> | <u>PENN PART #</u> | <u>DESCRIPTION</u>                         |
|--------------|----------------------|--------------------|---|--------------|----------------------|--------------------|--|
| 1            | 1405709              | 1-RVL15LWLCLH      | HANDLE SIDE PLATE ASSEMBLY (LEFT HAND)    | 29           | 1405692              | 29-RVL15LW         | SPOOL                                      |
| 1A           | 1383100              | 1A-WAR15LWLCLH     | LINE COUNTER COVER (LEFT HAND)            | 29L          | 1405694              | 29L-RVL15LW        | SPOOL ASSEMBLY                             |
| 1B           | 1383084              | 1B-WAR15LWLC       | SCREW FOR LINE COUNTER COVER (3 REQUIRED) | 33           | 1182754              | 33N-113            | CLAMP, GRAPHITE WITH RING                  |
| 2            | 1406058              | 2-RVL15LWLCLH      | RING, HANDLE SIDE (LEFT HAND)             | 33C          | 1182773              | 33C-113            | CLAMP KIT WITH STUDS AND NUTS              |
| 3            | 1384179              | 3-WAR15LW          | BRIDGE                                    | 34           | 1182755              | 34-45              | STUD (2 REQUIRED)                          |
| 4            | 1382978              | 4-WAR15LW          | DRAG WASHER, HT100                        | 34C          | 1182862              | 34C-45             | STUD WITH TWO NUTS (2 REQUIRED)            |
| 5            | 1383090              | 5-WAR15LWLH        | MAIN GEAR (LEFT HAND)                     | 35           | 1383037              | 35-WAR15LW         | CLICK TONGUE                               |
| 6            | 1382978              | 6-WAR15LW          | DRAG WASHER, HT100, EARRD (2 REQUIRED)    | 36           | 1383038              | 36-WARL15LW        | CLICK BUTTON                               |
| 7            | 1382999              | 7-WAR15LW          | KEYED METAL DRAG WASHER                   | 38           | 1383039              | 38-WAR15LW         | SCREW (5 REQUIRED)                         |
| 7H           | 1383000              | 7H-WAR15LW         | HEAVY METAL DRAG WASHER                   | 38A          | 1383040              | 38A-WAR15LW        | SCREW                                      |
| 8            | 1383001              | 8-WAR15LW          | SPRING WASHER (4 REQUIRED)                | 39A          | 1383041              | 39A-WAR15LW        | SCREW (2 REQUIRED)                         |
| 9            | 1384180              | 9-WAR15LW          | SPACING SLEEVE                            | 40           | 1383042              | 40-WAR15LW         | BALL BEARING, SPOOL, OUTER, NON HANDLE SID |
| 10           | 1405705              | 10-RVL15LWLH       | STAR DRAG (LEFT HAND)                     | 40A          | 1383043              | 40A-WAR15LW        | WASHER                                     |
| 10B          | 1383001              | 10B-WAR15LW        | STAR CLICK WASHER (2 REQUIRED)            | 40B          | 1383044              | 40B-WAR15LW        | PLASTIC WASHER*                            |
| 11           | 1383092              | 11-WAR15LWLH       | ECCENTRIC JACK (LEFT HAND)                | 40C          | 1383045              | 40C-WAR15LW        | WASHER, ACETAL THRUST                      |
| 12           | 1383007              | 12-WAR15LW         | PINION YOKE                               | 40D          | 1383046              | 40D-WAR15LW        | WASHER, RUBBER THRUST                      |
| 13           | 1383275              | 13-WAR15LWLH       | PINION (LEFT HAND)                        | 40E          | 1383047              | 40E-WAR15LW        | THRUSH WASHER (2 REQUIRED)                 |
| 15           | 1383276              | 15-WAR15LWLH       | ANTI-REVERSE DOG (2 REQUIRED) (LEFT HAND) | 41           | 1383048              | 41-WAR15LW         | BUSHING                                    |
| 16           | 1383010              | 16-WAR15LW         | SCREW, FOR BRIDGE (2 REQUIRED)            | 41A          | 1384181              | 41A-WAR15LW        | BUSHING                                    |
| 18           | 1383011              | 18-WAR15LW         | PINION YOKE SPRING (2 REQUIRED)           | 42           | 1385461              | 42-WAR15LWLC       | WORM SHAFT ASSEMBLY                        |
| 19           | 1383093              | 19-WAR15LWLH       | ECCENTRIC (LEFT HAND)                     | 42A          | 1384183              | 42A-WAR15LWLC      | GEAR, LINE COUNTER DRIVE GEAR              |
| 20           | ??                   | 20-WAR15LWLH       | ECCENTRIC SPRING (LEFT HAND)              | 43           | 1383051              | 43-WAR15LW         | WORM SHAFT BUSHING (2 REQUIRED)            |
| 20A*         | 1191256              | 20-1000AF          | BEARING (ATTACHED TO SPOOL SHAFT) *       | 46           | 1383052              | 46-WAR15LW         | LINE GUIDE ASSEMBLY                        |
| 21           | 1405685              | 21-RVL15LW         | ECCENTRIC LEVER                           | 47           | 1383053              | 47-WAR15LW         | LINE GUIDE PAWL                            |
| 22           | 1405686              | 22-RVL15LW         | ECCENTRIC SCREW                           | 47A          | 1383054              | 47A-WAR15LW        | PAWL SHIM                                  |
| 23           | 1383016              | 23-WAR15LW         | HANDLE ASSEMBLY SCREW                     | 48           | 1383055              | 48-WAR15LW         | LINE GUIDE NUT                             |
| 23A          | 1383017              | 23A-WAR15LW        | HANDLE LOCK SCREW                         | 50           | 1383056              | 50-WAR15LW         | WORM SHIELD                                |
| 23B          | 1383018              | 23B-WAR15LW        | HANDLE SCREW WASHER                       | 58           | 1383058              | 58-WAR15LW         | LINE GUIDE POST                            |
| 24           | 1405687              | 24-RVL15LW         | HANDLE ASSEMBLY                           | 60           | 1383060              | 60-WAR15LW         | WORM SHAFT WASHER (2 REQUIRED)             |
| 24A          | 1383020              | 24A-WAR15LW        | HANDLE THRUST WASHER                      | 62           | 1383061              | 62-WAR15LW         | SPRING                                     |
| 26           | 1405688              | 26-RVL15LW         | SPOOL TENSION CONTROL CAP                 | 64           | 1383062              | 64-WAR15LW         | IDLER GEAR                                 |
| 26A          | 1383022              | 26A-WAR15LW        | BUSHING                                   | 66           | 1383063              | 66-WAR15LW         | CLICK RATCHET                              |
| 26B          | 1383023              | 26B-WAR15LW        | CLUTCH RETAINER                           | 66A          | 1383064              | 66A-WAR15LW        | SPOOL GEAR                                 |
| 26C          | 1383024              | 26C-WAR15LW        | SCREW, FOR CLUTCH RETAINER (2 REQUIRED)   | 69           | 1383065              | 69-WAR15LW         | RETAINER RING                              |
| 27           | 1405711              | 27-RVL15LWLCLH     | NON-HANDLE SIDE PLATE (LEFT HAND)         | 69A          | 1383066              | 69A-WAR15LW        | RETAINER RING (2 REQUIRED)                 |
| 27A          | 1383027              | 27A-WAR15LW        | BEARING HOUSING                           | 98           | 1383094              | 98-WAR15LWLH       | MAIN GEAR SHAFT (LEFT HAND)                |
| 27B          | 1383028              | 27B-WAR15LW        | SCREW (2 REQUIRED)                        | 98R          | 1383069              | 98R-WAR15LW        | ANTI REVERSE RATCHET                       |
| 27C          | 1383029              | 27C-WAR15LW        | SCREW                                     | 98S          | 1383070              | 98S-WAR15LW        | CLUTCH SLEEVE                              |
| 28           | 1405691              | 28-RVL15LW         | RING, NON HANDLE SIDE                     |              |                      |                    |  |

|      |         |                |  |      |         |                 |                                    |
|------|---------|----------------|--|------|---------|-----------------|------------------------------------|
| 120  | 1383071 | 120-WAR15LW    | O-RING                                   | 149  | 1184702 | 149-45          | ROD CLAMP NUT (2 REQUIRED)         |
| 134A | 1383095 | 134A-WAR15LWLH | CLUTCH RECOVER PLATE (LEFT HAND)         | 149A | 1184706 | 149-200         | HEX NUT (2 REQUIRED)               |
| 134B | 1383096 | 134B-WAR15LWLH | CLUTCH RECOVER SUPPORT PLATE (LEFT HAND) | 154  | 1383077 | 154-WAR15LW     | CLICK BUTTON WASHER                |
| 134C | 1383097 | 134C-WAR15LWLH | CLUTCH RECOVER SPRING (LEFT HAND)        | 158  | 1383078 | 158-WAR15LW     | DOG PIN (2 REQUIRED)               |
|      |         |                |  | 183  | 1383279 | 183-WAR15LWLH   | FRAME ASSEMBLY (LEFT HAND)         |
|      |         |                |  | 303  | 1383283 | 303-WAR15LWLCLH | COUNTER WHEEL ASSEMBLY (LEFT HAND) |

NOTE: Many of www.pennparts.com schematics include changes that were either made by Penn, or errors found and corrected by our parts dept.  
 SBT Ver. 091116 (Based on Penn's Rev 0. 10-19-15)

**ERRORS/CORRECTIONS/NOTES:**

\*20A PART # matched up by Pennparts.com, this was not assigned a part # by Penn, they consider it part of the spool

\*19 - ON REV 0 THIS HAD A TYPO LISTING 19-WAR15LW AS THE ECCENTRIC, BUT IT NEEDS A LEFT HANDED ECC. WHICH IS 98-WAR15LWLH