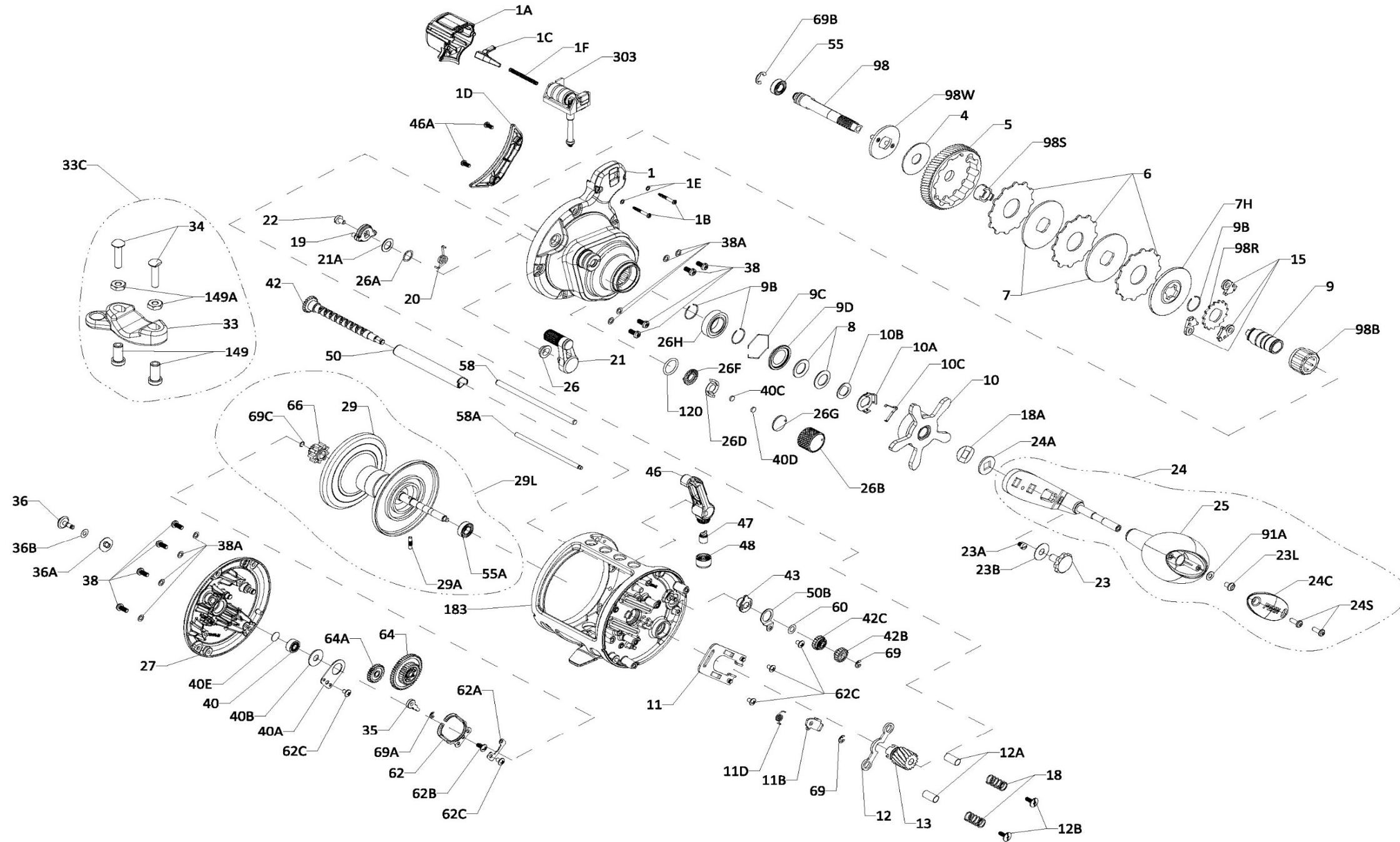




PARTS LIST FOR MODEL  
FATHOM II 30LWLC  
REEL PART NO.1481313

Key No.	Penn Style No.	Part No.	Description	Key No.	Penn Style No.	Part No.	Description	Key No.	Penn Style No.	Part No.	Description
1	1-FTHII30LWLC	1488816	Right Side Plate Assembly	9	9-FTHII30LW	1488731	Spacer Sleeve	13	13-FTHII30LW	1488740	Pinion
1A	1A-FTHII30LWLC	1488817	Line Counter Cover	9B	9B-FTHII30LW	1488732	Retainer Ring (3 req)	15	15-20	1188675	Anti Reverse Dog (3 req)
1B	1B-FTHII30LWLC	1488818	Screw L. C. Cover (2 req)	9C	9C-FTHII30LW	1488733	Retainer Ring	18	18-20	1188688	Pinion Yoke Spring (2 req)
1C	1C-FTHII30LWLC	1488819	L. C. Lens Wiper	9D	9D-FTHII30LW	1488734	Bearing Cover	18A	18A-20	1188714	Keyed Spring Washer
1D	1D-FTHII30LW	1488725	Gearbox Cover	10	10-FTHII30LW	1488735	Star Drag	19	19-FTHII30LW	1488741	Eccentric
1E	1E-FTHII30LWLC	1497823	Washer (2 req)	10A	10A-20	1188711	Star Click Retainer	20	20-FTHII30LW	1488742	Eccentric Spring
1F	1F-FTHII30LWLC	1488820	L. C. Lens Wiper Spring	10B	10B-20	1188710	Star Click Washer	21	21-FTHII30LW	1488743	Eccentric Lever
4	4-FTHII30LW	1488726	Drag Washer	10C	10C-525MAG2	1188712	Star Click Spring	21A	21A-FTHII30LW	1488744	Eccentric Washer
5	5-FTHII30LW	1488727	Main Gear	11	11-FTHII30LW	1488736	Eccentric Jack Assembly	22	22-20	1188690	Eccentric Screw
6	6-FTHII30LW	1488728	Tab Drag Washer (3 req)	11B	11B-FTHII30LWLC	1488821	Eccentric Jack Kick Lever	23	23-FTH20LW	1208117	Handle Assembly Screw
7	7-FTHII30LW	1488729	Keyed Metal Drag Washer (2 req)	11D	11D-FTHII30LWLC	1488822	Kick Lever Spring	23A	23A-20	1188717	Handle Lock Screw
7H	7H-FTHII30LW	1488730	Heavy Metal Drag Washer	12	12-FTHII30LW	1488737	Pinion Yoke	23B	23B-20	1207784	Handle Screw Washer
8	8-20	1188709	Spring Washer (2 req)	12A	12A-FTHII30LW	1488738	Yoke Post Bushing (2 req)	23L	23L-750	1191283	Screw
				12B	12B-FTHII30LW	1488739	Pinion Yoke Screw (2 req)	24	24-FTHII30LW	1488745	Handle Assembly



24A	24A-20	1188715	Handle Thrust Washer
24C	24C-SQL50LW	1286717	Handle Knob Cap
24S	24S-TRQ40NLD2	1265021	Screw (Smoke) (2 req)
25	25-SQL50	1286716	Handle Knob
26	26-20	1188692	Bushing
26A	26A-FTHSD12	1242792	Washer (As Required)
26B	26B-FTHII30LW	1488746	Spool Tension Knob
26D	26D-525MAG2	1125769	Spool Tension Click Spring
26F	26F-525MAG2	1125768	Spool Tension Ratchet Inner
26G	26G-525MAG2	1125772	Spool Tension Ratchet Outer
26H	26-TRQ40NLD2	1265023	Bearing
27	27-FTHII30LWLC	1488823	Left Side Plate Assembly
29	29-FTHII30LW	1488748	Spool Sub Assembly
29A	29A-20	1188680	Spool Shaft Pin
29L	29L-FTHII30LW	1488749	Spool Assembly
33	33-113	1182754	Rod Clamp
33C	33C-TRQ40	1229936	Rod Clamp Kit
34	34-45	1182788	Screw (2 req)
35	35-20	1188656	Click Tongue
36	36-FTHII30LW	1488750	Alarm Button
36A	36A-FTH20LW	1208113	Click Washer
36B	36B-20	1188651	Click PVC Washer
38	38-FTH15LD2	1309885	Screw (8 req)
38A	38A-20	1188649	Flat Washer (8 req)
40	40-FTHII30LW	1497821	Ball Bearing 4x10x4
40A	40A-20	1188663	Ball Bearing Retainer
40B	40B-20	1188662	Felt Washer
40C	40C-525MAG2	1208115	Washer, Metal Thrust
40D	40D-525MAG2	1125771	Washer, Rubber Thrust
40E	40E-20	1188660	Bronze Washer
42	42-FTHII30LW	1488751	Worm Shaft Assembly
42B	42B-FTHII30LWLC	1488752	L. C. Idler Gear
42C	42C-FTHII30LWLC	1488824	L. C. Idler Gear
43	43-FTHII30LW	1488753	Worm Shaft Bushing
46	46-FTHII30LW	1488754	Line Guide Assembly
46A	46A-FTHII30LW	1488755	Cover Plate Screw (2 req)
47	47-FTHII30LW	1488756	Line Guide Pawl
48	48-FTHII30LW	1488757	Line Guide Nut
50	50-FTHII30LW	1488758	Worm Shield
50B	50B-FTHII30LW	1488759	Level Wind Lock Plate
55	55-20	1188681	Ball Bearing 6x12x4
55A	55A-FTHII30LW	1497822	Ball Bearing 6x12x4
58	58-FTHII30LW	1488760	Line Guide Post
58A	58A-FTHII30LW	1488761	Line Guide Guard Post
60	60-20	1188670	Worm Shaft Washer
62	62-20	1188664	Click Spring
62A	62A-20	1188653	Click Spring Guard
62B	62B-20	1188665	Screw M2.6x7.5
62C	62C-20	1188654	Screw (5 req)
64	64-FTHII30LW	1488762	Idler Gear
64A	64A-40	1208073	Idler Gear
66	66-20	1188678	Spool Gear, Click Ratchet
69	69-SQL20LC	1308797	Retainer 2.5*6 (2 req)
69A	69-20	1188657	Retainer 3x7
69B	69B-40	1208064	Retainer 5x10
69C	69C-20	1188677	Retainer "C" Ring
91A	91A-TRQ40NLD2	1277514	Handle Knob Washer
98	98-FTHII30LW	1488763	Main Gear Shaft
98B	98B-FTHII30LW	1488764	IAR Bearing
98R	98R-FTHII30LW	1488765	Ratchet
98S	98S-FTHII30LW	1488766	Gear Stud Bushing
98W	98W-FTHII30LW	1488767	Thrust Washer
120	120-113H	1184522	O-Ring
149	149-45	1184702	Nut, Rod Clamp (2 req)
149A	149-200	1184706	Nut, Hex (2 req)
183	183-FTHII30LW	1488768	Frame Assembly
303	303-FTHII30LWLC	1488825	Counter Wheel Assembly