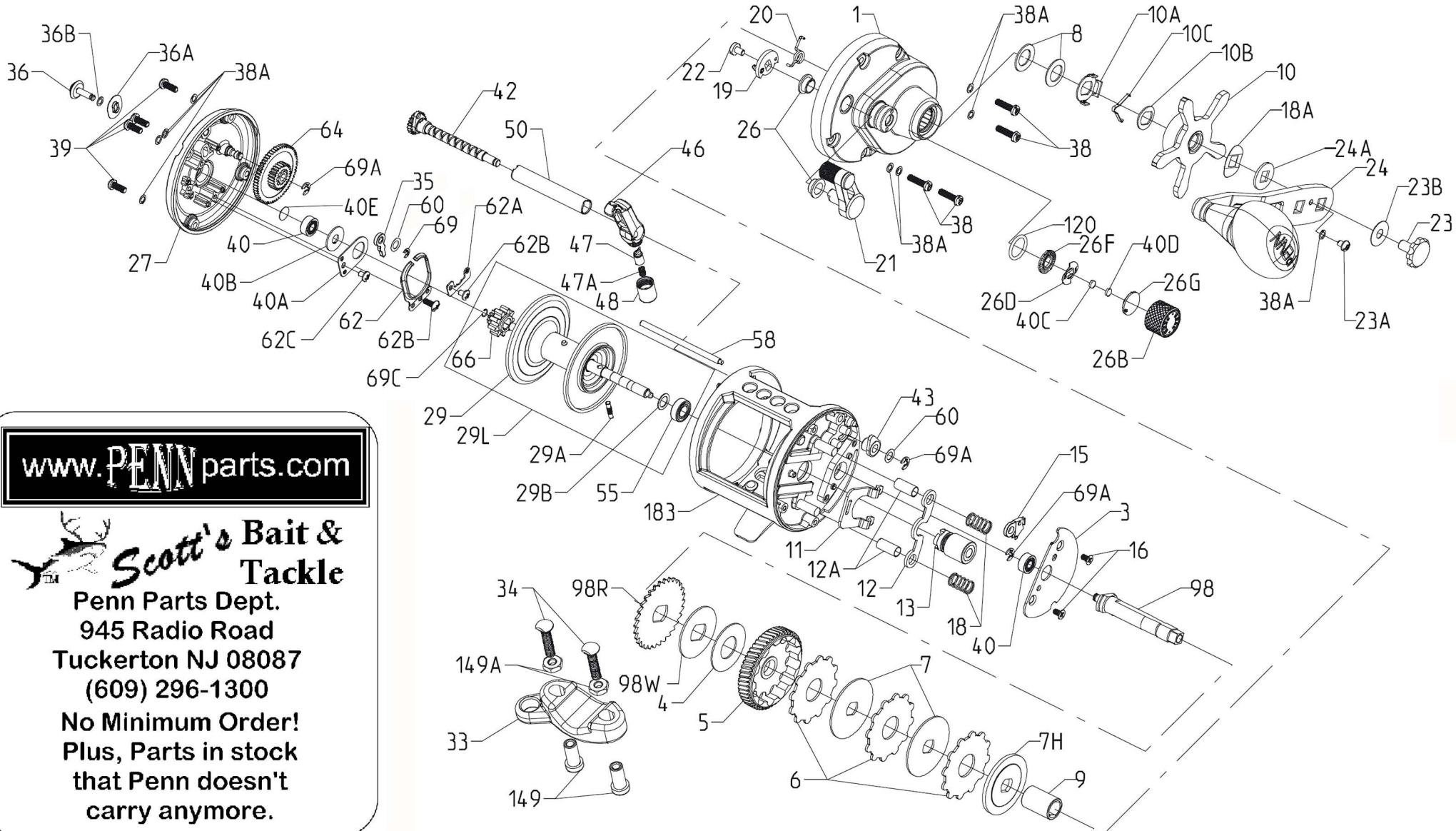
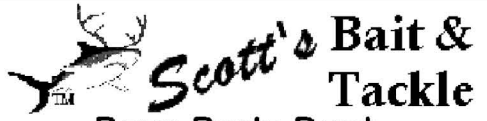




# PARTS LIST FOR MODELS FATHOM 20LW



[www.PENNparts.com](http://www.PENNparts.com)



**Penn Parts Dept.**  
 945 Radio Road  
 Tuckerton NJ 08087  
 (609) 296-1300  
**No Minimum Order!**  
**Plus, Parts in stock**  
**that Penn doesn't**  
**carry anymore.**

**SBT Ver. 013113**

Based on Penn's Rev 1 3/15/10

Penn Reel Parts list for Model: FTH20LW FATHOM 20LW

KEY	PUREFISHING	PENN PART	DESCRIPTION	KEY	PUREFISHING	PENN PART	DESCRIPTION
NO	PART #	NO.		NO	PART #	NO.	
1	1211266	1-FTH20LW	RIGHT SIDE PLATE ASSEMBLY	34	1128058	34-FTH20LW	ROD CLAMP SCREW
3	1208116	3-FTH20LW	BRIDGE	35	1188656	35-FTH20LW	CLICK TONGUE
4	1188703	4-FTH20LW	DRAG WASHER	36	1208118	36-FTH20LW	CLICK BUTTON
5	1188704	5-FTH20LW	MAIN GEAR	36A	1208113	36A-FTH20LW	CLICK WASHER
6	1188705	6-FTH20LW	DRAG WASHER, TABBED HT 100 (3 REQUIRED)	36B	1188651	36B-FTH20LW	CLICK PVC WASHER
7	1188706	7-FTH20LW	KEYED METAL DRAG WASHER (2 REQUIRED)	38	1188698	38-FTH20LW	SCREW M3X12 (4 REQUIRED)
7H	1188707	7H-FTH20LW	HEAVY METAL DRAG WASHER	38A	1188649	38A-FTH20LW	FLAT WASHER (9 REQUIRED)
8	1188709	8-FTH20LW	SPRING WASHER (2 REQUIRED)	39	1188638	39-FTH20LW	SCREW M3X8 (4 REQUIRED)
9	1188708	9-FTH20LW	SPACING SLEEVE	40	1188661	40-FTH20LW	BALL BARING 4X10X4 (2 REQUIRED)
10	1188713	10-FTH20LW	STAR DRAG	40A	1188663	40A-FTH20LW	BALL BEARING RETAINER
10A	1188711	10A-FTH20LW	STAR CLICK RETAINER	40B	1188662	40B-FTH20LW	FELT WASHER
10B	1188710	10B-FTH20LW	STAR CLICK WASHER	40C	1208115	40C-525MAG2	WASHER, METAL THRUST
10C	1188712	10C-525MAG2	STAR CLICK SPRING	40D	1125771	40D-525MAG2	WASHER, RUBBER THRUST
11	1188684	11-FTH20LW	ECCENTRIC JACK	40E	1188660	40E-FTH20LW	BRONZE WASHER
12	1188687	12-FTH20LW	PINION YOKE	42	1188724	42-FTH20LW	WORM SHAFT ASSEMBLY
12A	1208062	12A-FTH20LW	YOKE POST BUSHING (2 REQUIRED)	43	1188669	43-FTH20LW	WORM SHAFT BUSHING
13	1188683	13-FTH20LW	PINION GEAR	46	1208119	46-FTH20LW	LINE GUIDE ASSEMBLY
15	1188675	15-FTH20LW	DOG	47	1188672	47-FTH20LW	LINE GUIDE PAWL
16	1188676	16-FTH20LW	BRIDGE SCREW (2 REQUIRED)	47A	1188673	47A-FTH20LW	LINE GUIDE SPRING
18	1188677	18-FTH20LW	PINION YOKE SPRING (2 REQUIRED)	48	1208120	48-FTH20LW	LINE GUIDE NUT
18A	1188714	18A-FTH20LW	KEYED SPRING WASHER	50	1188726	50-FTH20LW	WORM SHEILD
19	1188691	19-FTH20LW	ECCENTRIC	55	1188681	55-FTH20LW	BALL BEARING 6X12X4
20	1188689	20-FTH20LW	ECCENTRIC SPRING	58	1188729	58-FTH20LW	SLOTTED LINE GUIDE POST
21	1188697	21-FTH20LW	ECCENTRIC LEVER	60	1188670	60-FTH20LW	WORM SHAFT AND CLICK TONGUE WASHER
22	1188690	22-FTH20LW	ECCENTRIC SCREW	62	1188664	62-FTH20LW	CLICK SPRING
23	1208117	23-FTH20LW	HANDLE SCREW	62A	1188653	62A-FTH20LW	CLICK SPRING GUARD
23A	1188717	23A-FTH20LW	HANDLE LOCK SCREW	62B	1188665	62B-FTH20LW	SCREW M2.6X7.5 (2 REQUIRED)
23B	1207784	23B-FTH20LW	HANDLE SCREW WASHER	62C	1188654	62C-FTH20LW	SCREW M26.X4
24	1188716	24-FTH20LW	HANDLE	64	1188658	64-FTH20LW	IDLER GEAR
24A	1188715	24A-FTH20LW	HANDLE THRUST WASHER	66	1188678	66-FTH20LW	SPOOL GEAR CLICK RATCHET
26	1188692	26-FTH20LW	BUSHING (2 REQUIRED)	69	1188657	69-FTH20LW	RETAINER 2X5
26B	1208114	26B-FTH20LW	SPOOL TENSION CONTROL CAP	69A	1188659	69A-FTH20LW	RETAINER 3X7 (3 REQUIRED)
26D	1125769	26D-525MAG2	SPOOL TENSION CLICK SPRING	69C	1188677	69C-FTH20LW	RETAINER "C" RING
26F	1125768	26F-525MAG2	SPOOL TENSION RATCHET, INNER	98	1188700	98-FTH20LW	MAIN GEAR SHAFT
26G	1125772	26G-525MAG2	SPOOL TENSION RATCHET, OUTER	98R	1188701	98R-FTH20LW	RATCHET
27	1211265	27-FTH20LW	LEFT SIDE PLATE	98W	1188702	98W-FTH20LW	RATCHET THRUST WASHER
29	1188737	29-FTH20LW	SPOOL SUB-ASSEMBLY	120	-N/A-	120-FTH15LW	O-RING
29A	1188680	29A-FTH20LW	SPOOL SHAFT PIN	149	1128059	149-FTH20LW	ROD CLAMP LONG NUT (2 REQUIRED)
29B	1208078	29B-FTH20LW	WASHER	149A	1116161	149A-FTH20LW	HEX NUT (2 REQUIRED)
29L	1188743	29L-FTH20LW	SPOOL ASSEMBLY (ALUMINUM)	183	1185732	183-FTH20LW	FRAME
33	1182754	33N-113	ROD CLAMP				

NOTE: Many of www.pennparts.com schematics include changes that were either made by Penn, or errors found and corrected by our parts dept.

SBT Ver. 013113 (Based on Penn's Rev 1 3/15/10 - includes part number changes from 8/2011)

CORRECTIONS: Original revision listed 120-113H as the O-ring, but this was not correct. Assigned #120-FTH15LW by Pennparts.com

Washer 35A on drawing was not on Penn's Rev 1 but was found in the reel. Assigned #35A-FTH20LW by Pennparts.com

Revision: Early run reels may contain a small shim between 47 and 47A. This is correcting a slight gap in the early 48 line guide nut, and is not needed on later reels.