


www.PENNparts.com

 **Scott's Bait & Tackle**

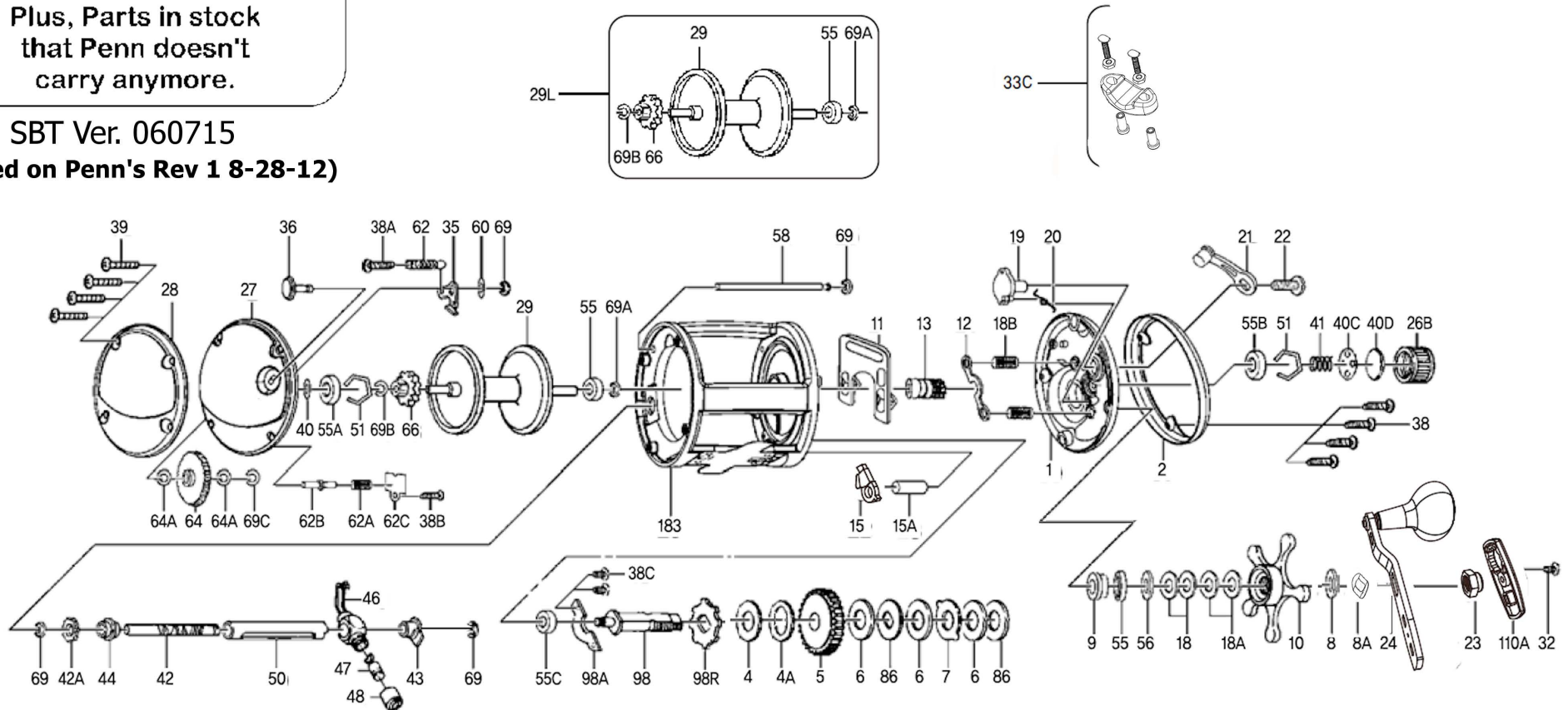
Penn Parts Dept.
945 Radio Road
Tuckerton NJ 08087
(609) 296-1300

No Minimum Order!
Plus, Parts in stock
that Penn doesn't
carry anymore.

SBT Ver. 060715

(Based on Penn's Rev 1 8-28-12)

DEFIANCE 40LW



Penn Reel Parts list for:

KEY	Penn's	PureFishing	DESCRIPTION
NO	Part #	Part #	
1	1-DFN40LW	1257639	PLATE, HANDLE SIDE
2	2-DFN40LW	1257643	RING, HANDLE SIDE
4	4-DFN20LW	1257644	WASHER, FIBER
5	5-DFN20LW	1257645	GEAR, MAIN
6	6-DFN20LW	1257646	WASHER, FRICTION DRAG (3)
7	7-DFN20LW	1257647	WASHER, EARRER DRAG
8	8-DFN20LW	1257648	WASHER, TENSION (ROUND KEYED METAL)
8A ***	8A-DFN20LW	???	HANDLE SPACER (RECT. WITH BENT SIDES)
9	9-DFN20LW	1257649	BUSHING, BRASS
10	10-DFN20LW	1257650	DRAG STAR ASSEMBLY
11	11-DFN40LW	1257758	ECCENTRIC JACK
12	12-DFN20LW	1257652	PINION YOKE
13	13-DFN40LW	1257759	PINION
15	15N-DFN20LW	1344584	DOG (revised)
15A	15A-DFN20LW	1257655	DOG POST
18	18-DFN20LW	1257656	WASHER, TENSION SPRING (2)
18A	18A-DFN20LW	1257657	WASHER, TENSION SPRING (2)
18B	18B-DFN20LW	1257658	SPRING, COIL (2)
19	19-DFN25LW	1257751	ECCENTRIC CAM
20	20-DFN20LW	1257660	ECCENTRIC SPRING
21	21-DFN25LW	1257752	ECCENTRIC LEVER
22	22-DFN20LW	1257662	ECCENTRIC SCREW
23	23-DFN20LW	1257663	NUT, HANDLE
24	24-DFN20LW	1257664	HANDLE ASSEMBLY
26B	26B-DFN20LW	1257665	CAP, SPOOL TENSION
27	27-DFN40LW	1257669	PLATE, NON-HANDLE SIDE
28	28-DFN40LW	1257673	RING, NON-HANDLE SIDE
29	29-DFN40LW	1257677	SPOOL
29L	29L-DFN40LW	1257681	SPOOL ASSEMBLY
32	32-DFN20LW	1257682	SCREW, MACHINED
33C	33C-DFN40LW	1291631	ROD CLAMP KIT
35	35-DFN20LW	1257683	CLICK TONGUE
36**	36-DFN20LW	1257684	CLICK BUTTON
38	38-DFN20LW	1257685	SCREW, TAPPING (4)
38A	38A-DFN20LW	1257686	SCREW, WASHER HEAD
38B	38B-DFN20LW	1257687	SCREW, TAPPING
38C	38C-DFN20LW	1257688	SCREW, TAPPING (2)

Model: DFN40LW Defiance Levelwind

KEY	Penn's	PureFishing	DESCRIPTION
NO	Part #	Part #	
39	39-DFN25LW	1257754	SCREW, TAPPING (4)
40	40-DFN20LW	1257710	THRUST DISC, METAL
40C	40C-DFN20LW	1257711	THRUST DISC, METAL
40D	40D-DFN20LW	1257712	THRUST DISC, RUBBER
41	41-DFN20LW	1257713	SPRING, COIL
42	42-DFN20LW	1257714	WORM SHAFT
42A	42A-DFN25LW	1257753	WORM GEAR
43	43-DFN20LW	1257716	WORM BUSHING, HANDLE SIDE
44	44-DFN20LW	1257717	WORM BSHNG, NON-HAND. SIDI
46	46-DFN20LW	1257718	LINE GUIDE
47	47-DFN20LW	1257719	PAWL
48	48-DFN20LW	1257720	SCREW F/LINE GUIDE
50	50-DFN20LW	1257721	WORM SHIELD
51	51-DFN20LW	1257722	RETAINER, WIRE HEX (2)
55	55-DFN20LW	1257723	BALL BEARING (2)
55A	55A-DFN20LW	1257724	BALL BEARING
55B	55B-DFN20LW	1257725	BEARING, SOLID BRASS
55C	55C-DFN20LW	1257726	BALL BEARING
56	56-DFN20LW	1257727	SHIM
58	58-DFN20LW	1257728	POST, LINE GUIDE POST
60	60-DFN20LW	1257729	WASHER, FLAT (2)
62	62-DFN20LW	1257730	SPRING, CLICK SPRING
62A	62A-DFN20LW	1257731	SPRING, COIL
62B	62B-DFN25LW	1257750	CLICK TENSION SHAFT
62C	62C-DFN20LW	1257733	PLATE, CLICK TENSION
64**	64-DFN40LW	1291107	GEAR, IDLER
64A	64A-DFN20LW	1257735	WASHER, FLAT (2)
66	66-DFN20LW	1257736	CLICK RATCHET
69	69-DFN20LW	1257737	RETAINER, E RING (4)
69A	69A-DFN20LW	1257738	RETAINER, C RING
69B	69B-DFN20LW	1257739	RETAINER, C RING
69C	69C-DFN20LW	1257740	RETAINER, C RING
86	86-DFN20LW	1257741	WASHER, KEYED DRAG (2)
98	98-DFN20LW	1257742	STUD, MAIN GEAR
98A	98A-DFN20LW	1257743	PLATE, F/MAIN GEAR STUD
98R	98R-DFN20LW	1257744	RATCHET, ANTI-REVERSE
110A	110A-DFN20LW	1257745	HANDLE NUT LOCK
183	183-DFN40LW	1257749	FRAME

NOTE: Many of www.pennparts.com schematics include changes that were either made by Penn, or errors found and corrected by our parts dept.
 SBT Ver. 06/1715 (based on Penn's revision 3 for the 40LW, 1-10-14)
 DOG HAS BEEN REDESIGNED AND ASSIGNED NEW PART NUMBERS

*** The 8A found in the early run reels is not a supported part by Penn
 They will not be supplying it and it is said that it is not required.

** Penn's orig. schematic lists 64-DFN20LW, this is incorrect

64 is 64-DFN40LW, unique to the model 40