



PARTS FOR MODEL 9 aka 9m

MysticParts.com

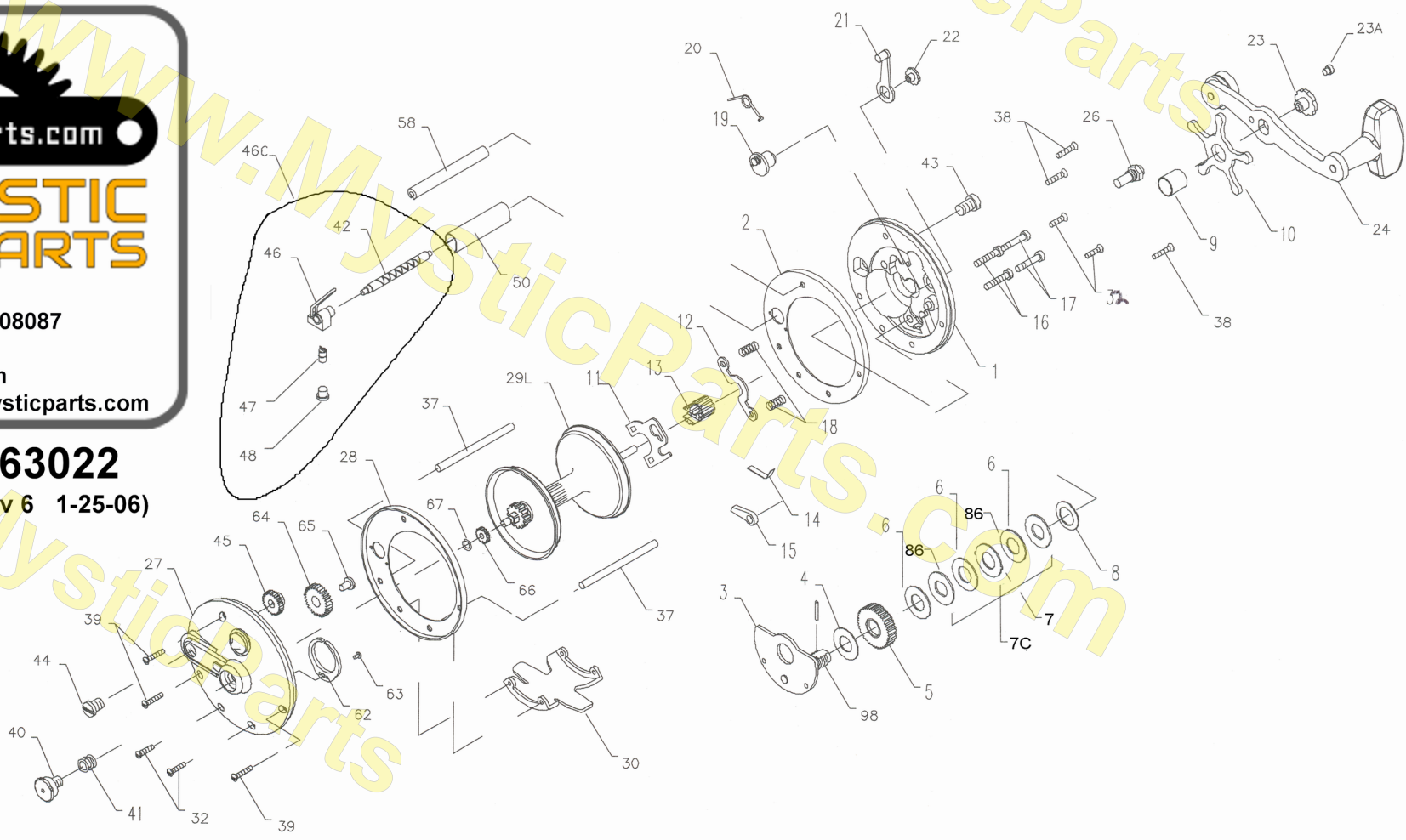


mysticparts.com

MYSTIC REEL PARTS

965 Radio Raod
Little Egg Harbor, NJ 08087
+1 (609) 296-1300
www.mysticparts.com
customerservice@mysticparts.com

MRP Ver 063022
(based on Penn's Rev 6 1-25-06)



PENN SCHEMATIC PARTS LIST FOR 9 aka 9M PEER LEVEL WIND REEL

KEY NO	PUREFISHING PART NO	PART NO	DESCRIPTION	KEY NO	PUREFISHING PART NO	PART NO	DESCRIPTION
1	1180397	1-9	HANDLE SIDE PLATE	30	See design changes below		
2	See design changes below			31/32	1182706	32-2	STAND SCREW (2 REQ. PER SIDE)
3	1180669	3-9	BRIDGE W/ SLEEVE	35	1182919	35-155	CLICK TONGUE
4	1180772	4-155	FIBER WASHER	36	1182980	36-60CH	CLICK BUTTON (DRILL OUT TO REMOVE, PEEN IN)
5	1180841	5-109	MAIN GEAR	37	1183064	37-109	FRAME POST (2 REQ.)
6	1180915	6-155	DRAG WASHER HT100 (USES 3)	38/39	1183177	39-1	POST SCREW (3 REQ. PER SIDE)
6C	1180392	6-155SP	DRAG WASHER KIT 6 PCS	40	1183269	40-109	NON-HANDLE SIDE BEARING
7	1181014	7-155	WASHER, EARED METAL WASHER (USES 1)	41	1183329	41-109	NON-HANDLE SIDE BEARING SPRING
7	1181047	7C-155	DRAG WASHER (METAL SET)	42	1183345	42-109	WORM (old # 42-9)
8	1181056	8-60	TENSION WASHER	43	1183368	43-9	HANDLE SIDE WORM BEARING
9	1181143	9-60	SPACING SLEEVE	44	1183375	43-109	NON-HANDLE SIDE WORM BEARING
10	1181189	10-180	STAR DRAG	45	1183471	45-9	WORM GEAR
11	1181224	11-9	ECCENTRIC JACK	46	1183544	46-9	LINE GUIDE
12	1181256	12-9	PINION YOKE	46C		46-9C	LINE GUIDE ASSEMBLY (4PC)
13	1181278	13-9	PINION GEAR	47	1183614	47-109	PAWL
14	1181385	14-9	DOG SPRING	48	1183699	48-109	PAWL COVER
15	1181417	15-9	DOG	50	1183752	50-109	WORM SHEILD
16	1181564	16-9	LOWER BRIDGE SCREW (2 REQ.)	58	1183948	58-109	SLOTTED POST
17	1181593	17-9	UPPER BRIDGE SCREW (2 REQ.)	62	esign changes below		
18	1181607	18-9	CLUTCH SPRING	63	esign changes below		
19	1181638	19-9	ECCENTRIC	64	1184060	64-9	IDLER GEAR
20	1181764	20-109	ECCENTRIC SPRING	65	1184084	65-209	IDLER GEAR SCREW
21	1181843	21-109	ECCENTRIC LEVER	66	1184088	66-9	LEVEL WIND DRIVE GEAR
22	1181912	22-109	ECCENTRIC SCREW	67	1184102	67-9	DRIVE GEAR LCOK SPRING
23	1181935	23-60	HANDLE SCREW	86	1184259	86-155	WASHER, ROUND KEYED METAL DRAG WASHER (USES 2)
23A	1184437	110-60	HANDLE LOCK SCREW	98	1184340	98-155	GEAR SLEEVE
24	See design changes below			102	1184408	102-60	GEAR SLEEVE PIN
26	1182108	26-9	HANDLE SIDE BEARING				
27	1182148	27-9	NON-HANDLE SIDE PLATE				
28	1182367	28-109	NON-HANDLE SIDE RING				
29L	1182472	29L-9	SPOOL ALUMINUM (BLACK)				

MYSTIC REEL PARTS REVISION!

NOTE: Many of www.mysticparts.com schematics include changes that were either made by Penn, or errors found and corrected by our parts dept.

MRP Ver 063022 (based on Penn's REV 6 1-25-06)

DESIGN CHANGES AND OTHER NOTES

KEY NO	PUREFISHING PART NO	PART NO	DESCRIPTION
2	N/A	2-109	HANDLE SIDE RING, (CHROME OVER BRONZE)
	1180607	2N-109	HANDLE SIDE RING (STAINLESS STEEL MATTE)
30	1182647	30N-9	STAND, MODERN (2 7/16")
		30-109F	STAND, FRESHWATER SHORTER VERSION 1940'S (2 3/8")
		30-109S	STAND, SALTWATER SHORTER VERSION 1940'S (2 11/16")

There is NO info on a compatible stand that uses a clamp

CLICK SPRING CHANGES

KEY NO	PUREFISHING PART NO	PART NO	DESCRIPTION
62	1184026	62-209	CLICK SPRING (METAL)
63	1184048	63-209	CLICK SPRING SCREW (FOR METAL CLICK SPRING)
ORIGINAL METAL SPRING, CHANGED TO PLASTIC THEN CHANGED BACK AGAIN			
62	N/A	62M-209	CLICK SPRING (PLASTIC)
63	1182662	31-2.5FR	CLICK SPRING SCREW (FOR PLASTIC CLICK SPRING)
On 9, 155, 209, 320GT and 330GT reels: Clicker Screw (used with plastic 62M-209 clicker)			

24	1191342	24S-310	HANDLE, COMPATIBLE, STAINLESS STEEL, BLACK RUBBERIZED KNOB
	OLD#	24-160	HANDLE, ORIG PLASTIC TORPEDO KNOBS (ASSTd COLORS)
	OLD#	24N-160	HANDLE, BLACK RUBBERIZED KNOB