



PENN PARTS SCHEMATIC 940

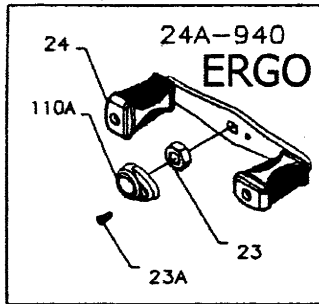
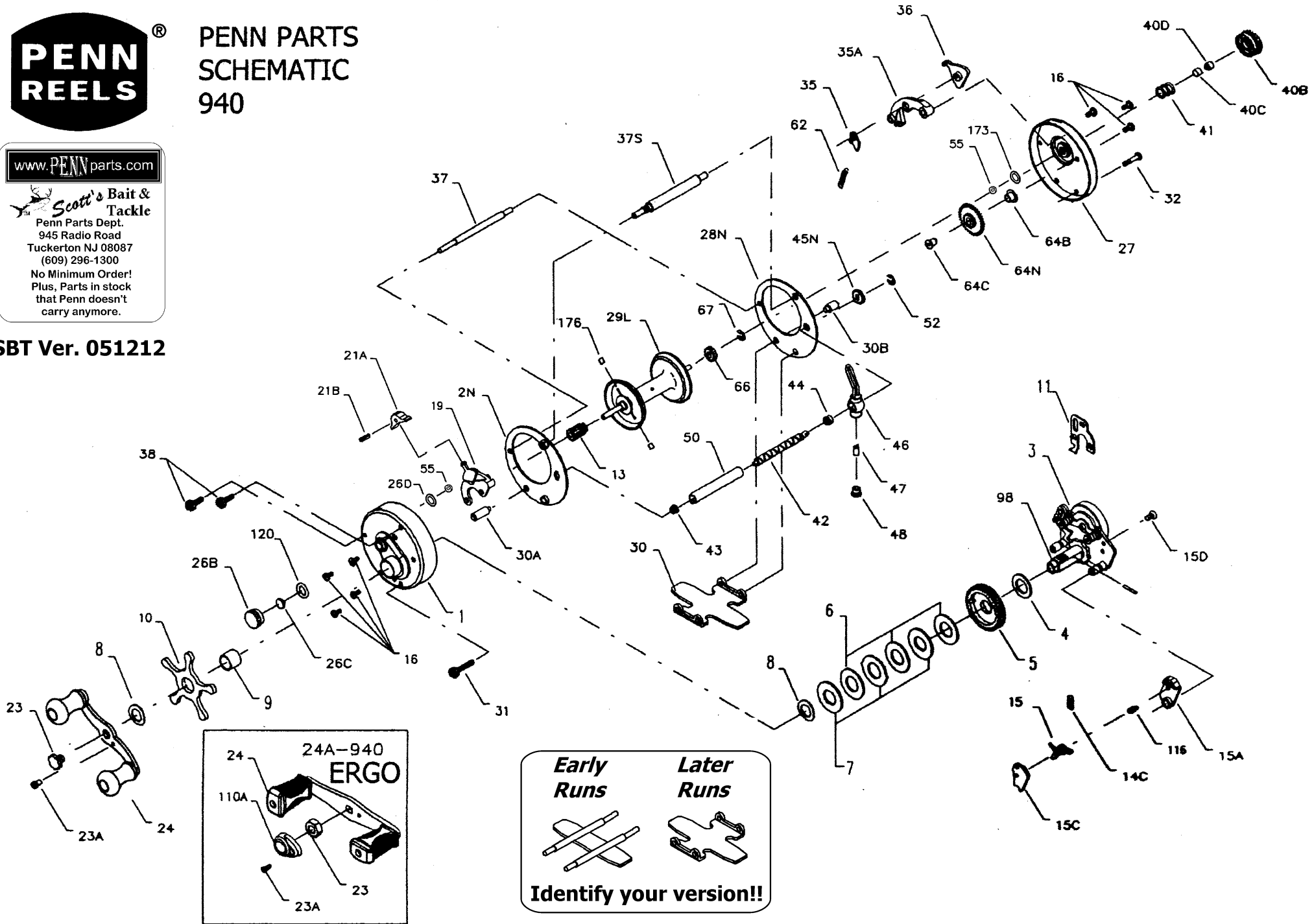
www.PENNparts.com

Scott's Bait & Tackle

Penn Parts Dept.
945 Radio Road
Tuckerton NJ 08087
(609) 296-1300

No Minimum Order!
Plus, Parts in stock
that Penn doesn't
carry anymore.

SBT Ver. 051212



Early Runs	Later Runs
Identify your version!!	

Penn Reel Parts list for:

Model: 940

KEY PART

NO	NO.	DESCRIPTION
1	1-910	RIGHT SIDE PLATE
3	3-910	BRIDGE ASSEMBLY
4	4-910	FIBER WASHER
5	5-910	MAIN GEAR
6	6-910	DRAG WASHER
7	7C-910	METAL DISC SET
8	8-910	TENSION SPRING
9	9-910	SPACING SLEEVE
10	10-910	STAR DRAG WHEEL
11	11-910	ECCENTRIC JACK
13	13-910	PINION GEAR
14C	14C-910	DOG SPRING
15	15-910	DOG
15A	15A-910	DOG HOUSING
15C	15C-910	DOG COVER
15D	15D-910	DOG COVER SCREW
16	16-910	BRIDGE SCREW
19	19-910	ECCENTRIC ASSEMBLY WITH LEVER
21A	21A-910	LEVER KNOB
21B	21B-910	LEVER KNOB PIN
23	23-910	HANDLE SCREW
23A	110-60	HANDLE LOCK SCREW
24	24-940	HANDLE (ROUND KNOB)
23	23-940	HANDLE SCREW (F/ERGO)
23A	32-15	HANDLE LOCK SCREW (F/ERGO)
24	24A-940	HANDLE (ERGO KNOB)
110A	110A-555	HANDLE NUT CAP (F/ERGO)
26B	26B-910	R.S. BEARING CAP

KEY PART

NO	NO.	DESCRIPTION
26C	26C-910	R.S. SPOOL POSITIONER
26D	26D-910	R.S. BEARING RETAINER
27	27-940	LEFT SIDE PLATE
29L	29L-930	SPOOL
35	35-910	CLICK TONGUE
35A	35A-910	CLICK SUPPORT BLOCK
36	36-910	CLICK LEVER CUT ECC.
37	37-930	FRAME POST
38	38-910	POST SCREW
40B	40B-910	L.S. BEARING CUP
40C	40C-910	PLASTIC CAST CONTROL BUMPER
40D	40D-910	RUBBER CAST CONTROL BUMPER
41	41-910	L.S. BEARING SPRING
46	46-910	LINE GUIDE
47	47-910	PAWL
48	48-109	PAWL COVER SCREW
50	50-930	WORM SHEILD
55	***55-910	BALL BEARING (2 REQ.)
62	62-910	CLICK SPRING
66	66N-910	DRIVE GEAR
67	67-9	DRIVE GEAR LOCK SPRING
98	98-910	GEAR SLEEVE
116	116-910	DOG POST
120	120-910	O" RING
*	159-910	SPRING
173	173-910	L.S. BRG. RETAINER
*	175-910	LIGHT BRAKES (2 REQ.) (OPTIONAL)
176	176-910	MEDIUM BRAKES (2 REQ.)
*	177-910	HEAVY BRAKES (2 REQ.) (OPTIONAL)

** Not Shown On Drawing*

**** 55-910 replaces old number 26-910 ball bearing*

NOTE: Many of www.pennparts.com schematics include changes that were either made by Penn, or errors found and corrected by our parts dept.
SBT Version 051212

DESIGN CHANGED ON ALL OF THE BELOW PARTS!!!

If your reel has these parts and some of them need changing, the reel will need an overhaul to the newer parts (Changed mid 80s)

2N	2N-910	RIGHT SIDE RING	43	43-910	R.S. WORM BEARING
28	28N-910	LEFT SIDE RING	44	44-910	L.S. WORM BEARING
30	30N-930	STAND	45N	45N-910	WORM GEAR
30A	30A-910	R.S. STAND SPACER	52	52-910	RETAINING RING
30B	30B-910	L.S. STAND SPACER	*	58A-910	R.S. POST NUT
31	31N-910	STAND SCREW	64B	64B-910	IDLER GEAR BUSHING
32	32-910	L.S. STAND SCREW	64C	64C-910	IDLER GEAR SHAFT
37S	58N-930	SLOTTED LINE GUIDE	64N	64N-910	IDLER GEAR (NEW)
42	42-930	WORM			

TO IDENTIFY: See the drawing comparing early run stand to later run stand.

OTHER Older Side Plates came with bearings installed.

NOTES: Current ones do not, and would need the bearings and bearing retainers