



PENN PARTS SCHEMATIC

920

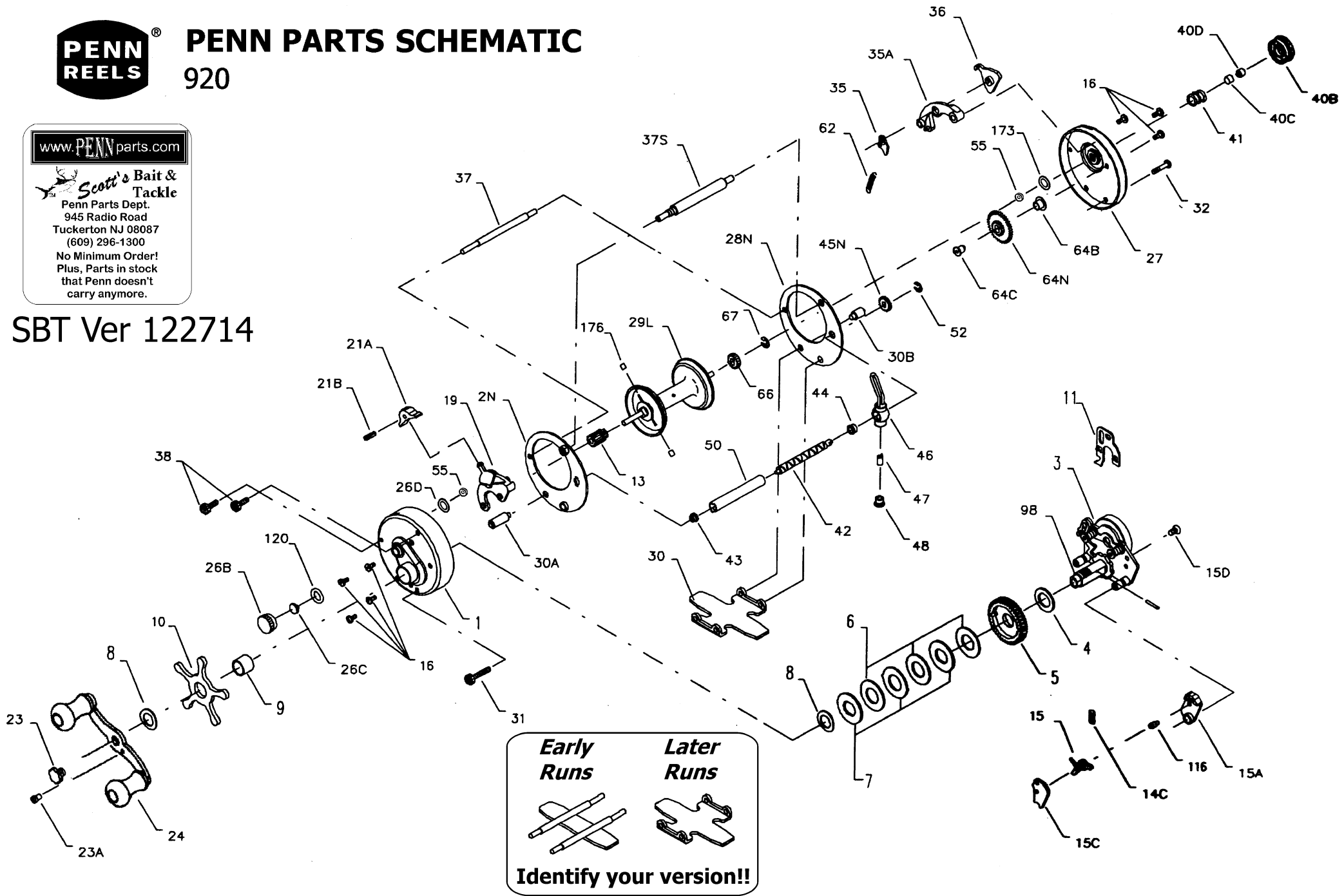
www.PENNparts.com

Scott's Bait & Tackle

Penn Parts Dept.
945 Radio Road
Tuckerton NJ 08087
(609) 296-1300

No Minimum Order!
Plus, Parts in stock
that Penn doesn't
carry anymore.

SBT Ver 122714



Early Runs	Later Runs
Identify your version!!	

Penn Reel Parts list for:

Model: 920

KEY PART			KEY PART		
NO	NO.	DESCRIPTION	NO	NO.	DESCRIPTION
1	1-910	RIGHT SIDE PLATE	29L	29L-910	SPOOL
3	3-910	BRIDGE ASSEMBLY	35	35-910	CLICK TONGUE
4	4-910	FIBER WASHER	35A	35A-910	CLICK SUPPORT BLOCK
5	5-910	MAIN GEAR	36	36-910	CLICK LEVER CUT ECC.
6	6-910	DRAG WASHER	37	37-910	FRAME POST
7	7C-910	METAL DISC SET	38	38-910	POST SCREW
8	8-910	TENSION SPRING	40B	40B-910	L.S. BEARING CUP
9	9-910	SPACING SLEEVE	40C	40C-910	PLASTIC CAST CONTROL BUMPER
10	10-910	STAR DRAG WHEEL	40D	40D-910	RUBBER CAST CONTROL BUMPER
11	11-910	ECCENTRIC JACK	41	41-910	L.S. BEARING SPRING
13	13-910	PINION GEAR	46	46-910	LINE GUIDE
14C	14C-910	DOG SPRING	47	47-910	PAWL
15	15-910	DOG	48	48-109	PAWL COVER SCREW
15A	15A-910	DOG HOUSING	50	50-910	WORM SHEILD
15C	15C-910	DOG COVER	55	***55-910	BALL BEARING (2 REQ.)
15D	15D-910	DOG COVER SCREW	62	62-910	CLICK SPRING
16	16-910	BRIDGE SCREW	66	66N-910	DRIVE GEAR
19	19-910	ECCENTRIC ASSEMBLY WITH LEVER	67	67-9	DRIVE GEAR LOCK SPRING
21A	21A-910	LEVER KNOB	98	98-910	GEAR SLEEVE
21B	21B-910	LEVER KNOB PIN	116	116-910	DOG POST
23	23-910	HANDLE SCREW	120	120-910	O" RING
23A	110-60	HANDLE LOCK SCREW	*	159-910	SPRING
24	24-920	HANDLE	173	173-910	L.S. BRG. RETAINER
26B	26B-910	R.S. BEARING CAP	*	175-910	LIGHT BRAKES (2 REQ.) (OPTIONAL)
26C	26C-910	R.S. SPOOL POSITIONER	176	176-910	MEDIUM BRAKES (2 REQ.)
26D	26D-910	R.S. BEARING RETAINER	*	177-910	HEAVY BRAKES (2 REQ.) (OPTIONAL)
27	27-920	LEFT SIDE PLATE			

** Not Shown On Drawing*

**** 55-910 replaces old number 26-910 ball bearing*

NOTE: Many of www.pennparts.com schematics include changes that were either made by Penn, or errors found and corrected by our parts dept.
SBT Version 122714

DESIGN CHANGED ON ALL OF THE BELOW PARTS!!!

If your reel has these parts and some of them need changing, the reel will need an overhaul to the newer parts (Changed mid 80s)

2N	2N-910	RIGHT SIDE RING	43	43-910	R.S. WORM BEARING
28	28N-910	LEFT SIDE RING	44	44-910	L.S. WORM BEARING
30	30N-910	STAND	45N	45N-910	WORM GEAR
30A	30A-910	R.S. STAND SPACER	52	52-910	RETAINING RING
30B	30B-910	L.S. STAND SPACER	*	58A-910	R.S. POST NUT
31	31N-910	STAND SCREW	64B	64B-910	IDLER GEAR BUSHING
32	32-910	L.S. STAND SCREW	64C	64C-910	IDLER GEAR SHAFT
37S	58N-910	SLOTTED LINE GUIDE	64N	64N-910	IDLER GEAR (NEW)
42	42-910	WORM			

TO IDENTIFY: See the drawing comparing early run stand to later run stand.

OTHER Older Side Plates came with bearings installed.
NOTES: Current ones do not, and would need the bearings and bearing retainers