



# PENN PARTS SCHEMATIC 910 (using 920 drawing)

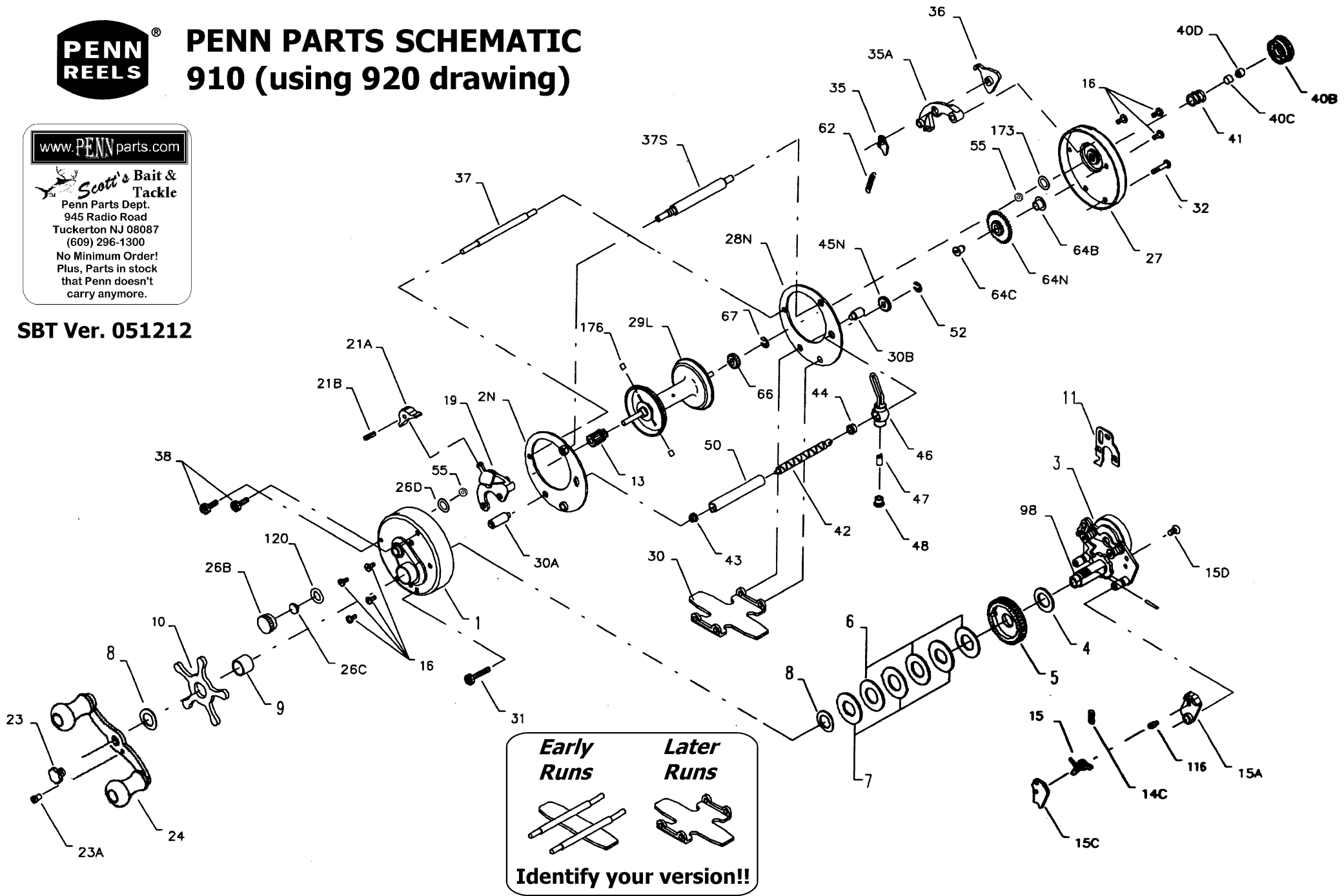
www.PENNparts.com

Scott's Bait & Tackle

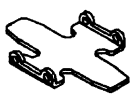
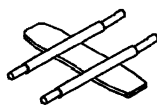
Penn Parts Dept.  
945 Radio Road  
Tuckerton NJ 08087  
(609) 296-1300

No Minimum Order!  
Plus, Parts in stock  
that Penn doesn't  
carry anymore.

SBT Ver. 051212



**Early Runs**      **Later Runs**



**Identify your version!!**

## Penn Reel Parts list for:

## Model: 910

### KEY PART

NO	NO.	DESCRIPTION
1	1-910	RIGHT SIDE PLATE
3	3-910	BRIDGE ASSEMBLY
4	4-910	FIBER WASHER
5	5-910	MAIN GEAR
6	6-910	DRAG WASHER
7	7C-910	METAL DISC SET
8	8-910	TENSION SPRING
9	9-910	SPACING SLEEVE
10	10-910	STAR DRAG WHEEL
11	11-910	ECCENTRIC JACK
13	13-910	PINION GEAR
14C	14C-910	DOG SPRING
15	15-910	DOG
15A	15A-910	DOG HOUSING
15C	15C-910	DOG COVER
15D	15D-910	DOG COVER SCREW
16	16-910	BRIDGE SCREW
19	19-910	ECCENTRIC ASSEMBLY WITH LEVER
21A	21A-910	LEVER KNOB
21B	21B-910	LEVER KNOB PIN
23	23-910	HANDLE SCREW
23A	110-60	HANDLE LOCK SCREW
24	24-940	HANDLE (old #24-910)
26B	26B-910	R.S. BEARING CAP
26C	26C-910	R.S. SPOOL POSITIONER
26D	26D-910	R.S. BEARING RETAINER
27	27-910	LEFT SIDE PLATE

### KEY PART

NO	NO.	DESCRIPTION
29L	29L-910	SPOOL
35	35-910	CLICK TONGUE
35A	35A-910	CLICK SUPPORT BLOCK
36	36-910	CLICK LEVER CUT ECC.
37	37-910	FRAME POST
38	38-910	POST SCREW
40B	40B-910	L.S. BEARING CUP
40C	40C-910	PLASTIC CAST CONTROL BUMPER
40D	40D-910	RUBBER CAST CONTROL BUMPER
41	41-910	L.S. BEARING SPRING
46	46-910	LINE GUIDE
47	47-910	PAWL
48	48-109	PAWL COVER SCREW
50	50-910	WORM SHEILD
55	***55-910	BALL BEARING (2 REQ.)
62	62-910	CLICK SPRING
66	66N-910	DRIVE GEAR
67	67-9	DRIVE GEAR LOCK SPRING
98	98-910	GEAR SLEEVE
116	116-910	DOG POST
120	120-910	O" RING
*	159-910	SPRING
173	173-910	L.S. BRG. RETAINER
*	175-910	LIGHT BRAKES (2 REQ.) (OPTIONAL)
176	176-910	MEDIUM BRAKES (2 REQ.)
*	177-910	HEAVY BRAKES (2 REQ.) (OPTIONAL)

*\* Not Shown On Drawing*

*\*\*\* 55-910 replaces old number 26-910 ball bearing*

NOTE: Many of www.pennparts.com schematics include changes that were either made by Penn, or errors found and corrected by our parts dept.  
SBT Version 051212

### **DESIGN CHANGED ON ALL OF THE BELOW PARTS!!!**

If your reel has these parts and some of them need changing, the reel will need an overhaul to the newer parts (Changed mid 80s)

2N	2N-910	RIGHT SIDE RING	43	43-910	R.S. WORM BEARING
28	28N-910	LEFT SIDE RING	44	44-910	L.S. WORM BEARING
30	30N-910	STAND	45N	45N-910	WORM GEAR
30A	30A-910	R.S. STAND SPACER	52	52-910	RETAINING RING
30B	30B-910	L.S. STAND SPACER	*	58A-910	R.S. POST NUT
31	31N-910	STAND SCREW	64B	64B-910	IDLER GEAR BUSHING
32	32-910	L.S. STAND SCREW	64C	64C-910	IDLER GEAR SHAFT
37S	58N-910	SLOTTED LINE GUIDE	64N	64N-910	IDLER GEAR (NEW)
42	42-910	WORM			

**TO IDENTIFY: See the drawing comparing early run stand to later run stand.**

**OTHER** Older Side Plates came with bearings installed.

**NOTES:** Current ones do not, and would need the bearings and bearing retainers