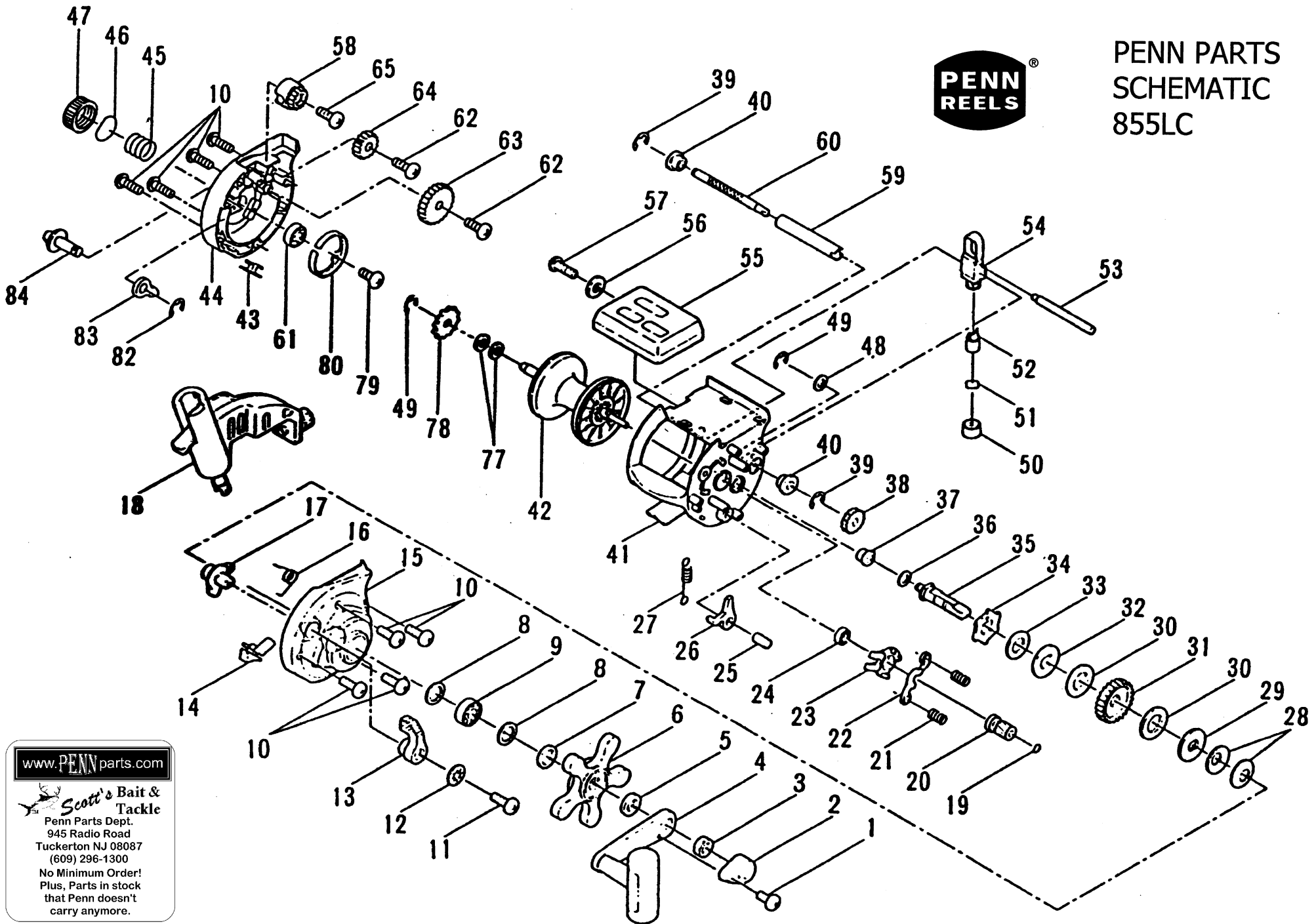




PENN PARTS SCHEMATIC 855LC



www.PENNparts.com
Scott's Bait & Tackle
Penn Parts Dept.
945 Radio Road
Tuckerton NJ 08087
(609) 296-1300
No Minimum Order!
Plus, Parts in stock
that Penn doesn't
carry anymore.

Penn Reel Parts list for:

Model: 855LC Reel w/Line Counter

KEY PART			KEY PART		
NO	NO.	DESCRIPTION	NO	NO.	DESCRIPTION
1	32-875	HANDLE LOCK SCREW	38	45-855	WORM GEAR
2	110A-875	HANDLE NUT CAP	39	42A-855	RETAINING RINGS (2 REQ.)
3	23-875	HANDLE NUT	40	43-855	WORM BEARINGS (2 REQ.)
4	24-855	HANDLE ASSEMBLY	41	183-855	FRAME ASSEMBLY
5	8-875	THRUST WASHER	42	29-855	SPOOL ASSEMBLY
6	10-875	DRAG STAR ASSEMBLY	43	96-875	LINE STORAGE CLIP
7	9-875	SPACING WASHER	44	27-855	L.S. PLATE
8	20A-855	BEARING SPACERS (2 REQ.)	45	41-875	L.S. BEARING SPRING
9	20-722	R.S. PLATE BEARING	46	41C-875	THRUST WASHER
10	39-875	MOUNTING SCREWS (8 REQ.)	47	40A-875	L.S. BEARING CAP
11	22-875	ECCENTRIC SCREW	48	98C-875	GEAR STUD WASHER
12	22A-875	ECCENTRIC WASHER	49	98D-875	RETAINING RINGS (2 REQ.)
13	21-855	ECCENTRIC LEVER	50	48-875	PAWL COVER SCREW
14	21A-855	DIRECT DRIVE LEVER	51	48A-855	THRUST WASHER
15	1-855	R.S. PLATE	52	47-855	PAWL
16	20-855	ECCENTRIC SPRING	53	58-855	LINE GUIDE POST
17	19-875	ECCENTRIC	54	46-855	LINE GUIDE
18	302-875	BOGEY WHEEL ASSEMBLY	*55	303-855	CONTROL BOX ASM. (FEET)
19	40-855	THRUST WASHER	*55	303-855M	CONTROL BOX ASM. (METRIC)
20	13-855	PINION GEAR ASSEMBLY	56	304-875	FLAT WASHER
21	18-875	CLUTCH SPRINGS (2 REQ.)	57	305-875	CONTROL BOX SCREW
22	12-855	PINION YOKE	58	306-855	CONTROL BOX GEAR
23	11-855	ECCENTRIC JACK	59	50-855	WORM SHAFT SHEILD
24	55-855	SPOOL BEARING	60	42-855	WORM SHAFT
25	158-875	RATCHET DOG PIN	61	40-320	SPOOL BEARING
26	15-855	RATCHET DOG	62	63B-875	GEAR MOUNTING SCREWS (2 REQ.)
27	14-855	DOG SPRING	63	64A-855	IDLER GEAR A
28	8A-875	DISC SPRINGS (2 REQ.)	64	64B-855	IDLER GEAR B
29	86-855	METAL DRAG WASHER	65	63-855	GEAR MOUNTING SCREWS (2 REQ.)
30	6-855	DRAG WASHER HT-100 (2 REQ.)	77	81A-855	SPACING WASHERS (2 REQ.)
31	5-855	MAIN GEAR	78	81-855	CLICK RATCHET
32	86A-855	METAL DRAG WASHER	79	63A-875	MOUNTING SCREW
33	4-855	FIBER WASHER	80	62-875	CLICK SPRING
34	98R-855	RATCHET ASSEMBLY	82	42B-875	RETAINING RING
35	98S-855	GEAR STUD	83	35-875	CLICK TONGUE
36	98A-875	GEAR STUD WASHER	84	36-855	CLICK BUTTON
37	98B-855	GEAR STUD BEARING			

* Order Control Box in "Feet" or "Metric" according to model

NOTE: Many of www.pennparts.com schematics include changes that were either made by Penn, or errors found and corrected by our parts dept.

The 303B-875 battery is confirmed to be a Panasonic CR2032.

QUICK INSTALLATION INSTRUCTIONS:

Remove the handle side of the reel and slide out the spool.

There is one screw and a flat washer holding the control box on one side of it, remove these.

Push the control box sideways to slide it off of the frame.

Turn the box upside down, and remove the 6 screws to access the battery.

THE PANASONIC CR2032 BATTERY CAN BE FOUND AT MOST PHARMACIES.