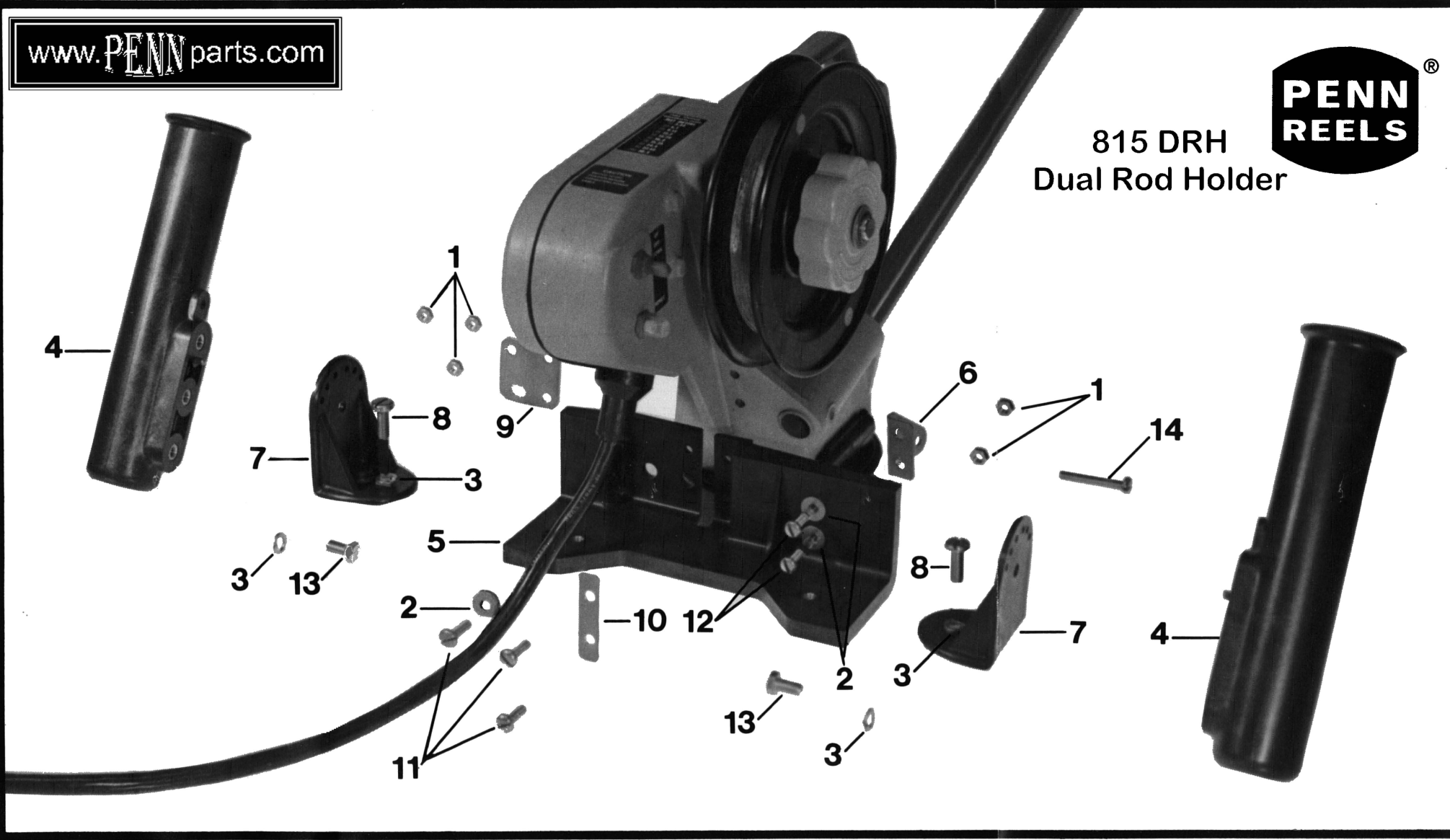


www.PENNparts.com



# 815 DRH Dual Rod Holder



4

7

3

13

2

11

5

3

1

1

1

8

9

9

10

12

2

13

3

6

1

14

8

3

7

4

## Penn Reel Parts list for:

Model: 815DRH DOUBLE ROD HOLDER SYSTEM

### KEY PART

NO	NO.	DESCRIPTION
1	208-815	LOCK NUT (2 REQ.)
2	220-600	FLAT WASHER (1/4") (3 REQ.)
3	254-810	SPLIT LOCK WASHER (5/16") (4 REQ.)
4	256-815	ROD HOLDER TUBE (2 REQ.)
5	258-815	FRAME BRACKET
6	258A-815	SUPPORT BRACKET
7	259-815	ROD HOLDER BRACKET (2 REQ.)
8	260-810	LARGE DIAMETER PAN HEAD SCREW (5/16"-24X 7/8") (2 REQ.)
9	265-815	BACKING PLATE (SQUARE)
10	265A-815	BACKING PLATE (RECTANGULAR)
11	267-815	SMALL DIAMETER PAN HEAD SCREW (1/4"-20 X 7/8") (3 REQ.)
12	267A-815	PAN HEAD SCREW (1/4"-20 5/8") (2 REQ.)
13	268-815	HEX HEAD BOLT (5/16"-24 X 5/8") (2 REQ.)
14	194-825	BOOM SCREW

NOTE: Many of [www.pennparts.com](http://www.pennparts.com) schematics include changes that were either made by Penn, or errors found and corrected by our parts dept.