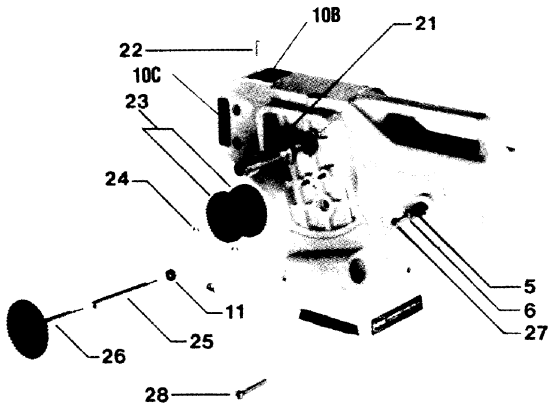
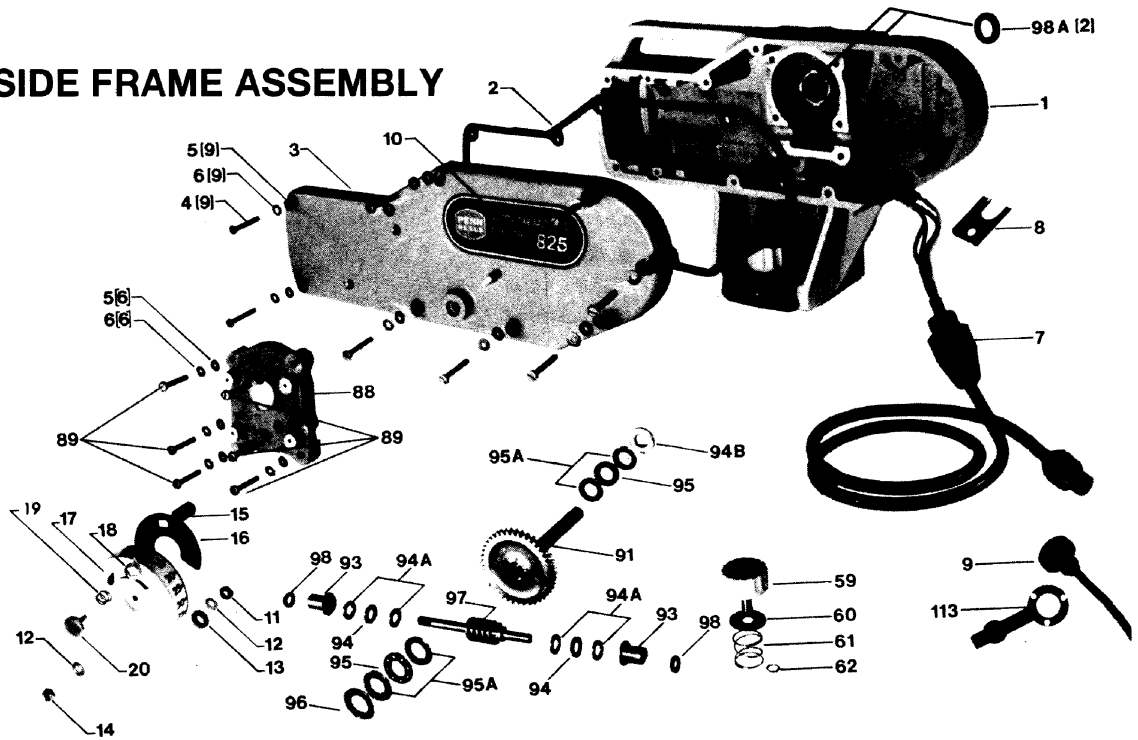
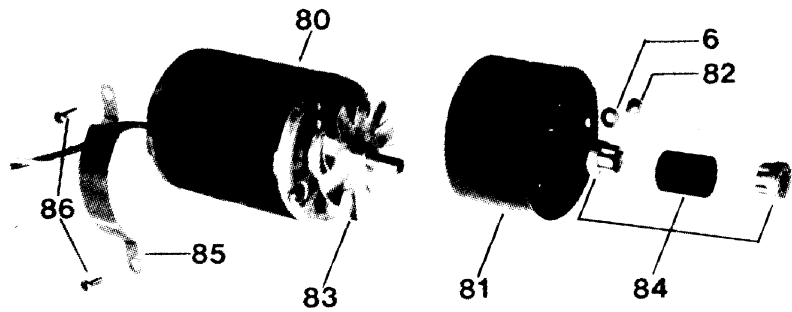


**RIGHT SIDE FRAME ASSEMBLY**

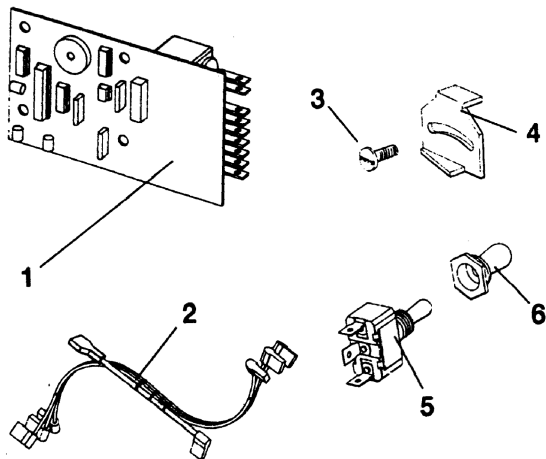


**LEFT SIDE FRAME ASSEMBLY**

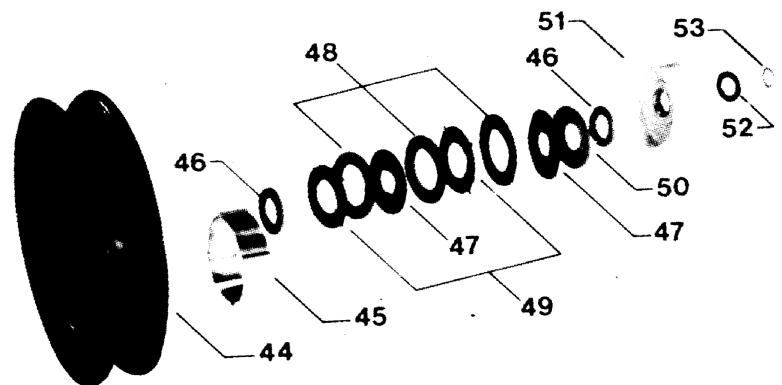


**ELECTRIC MOTOR ASSEMBLY**

**ELECTRICAL DRIVE COMPONENTS**

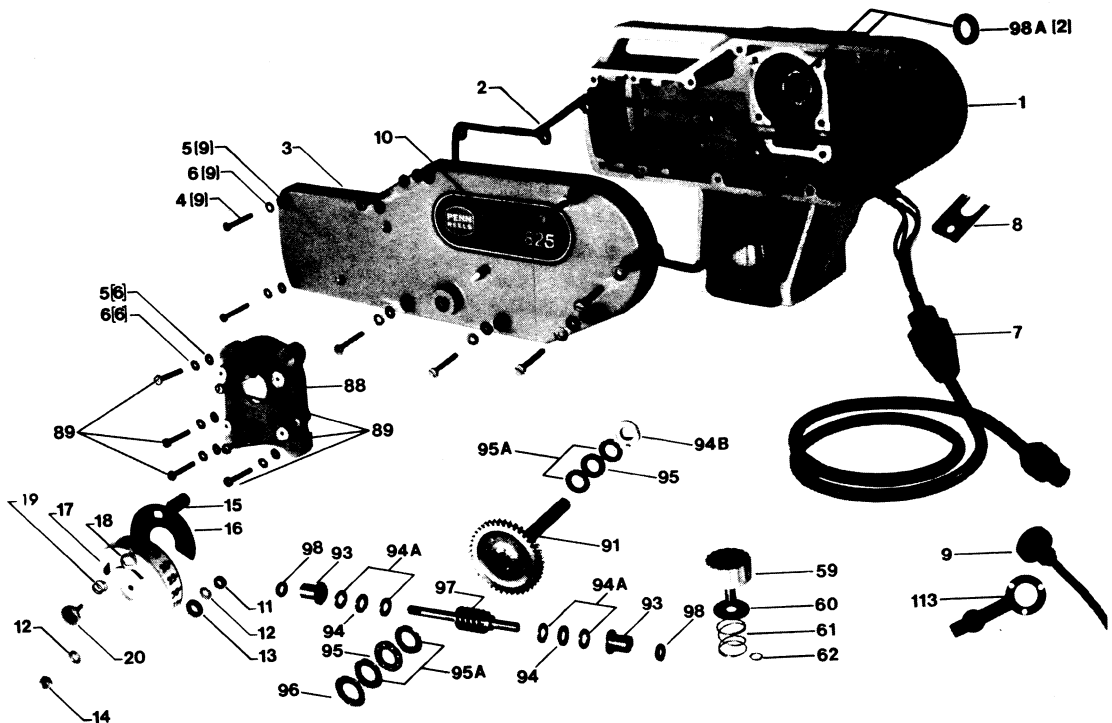


**DRAG BRAKE ASSEMBLY**





# PARTS AND PRICE LIST FOR FATHOM-MASTER® 800-825

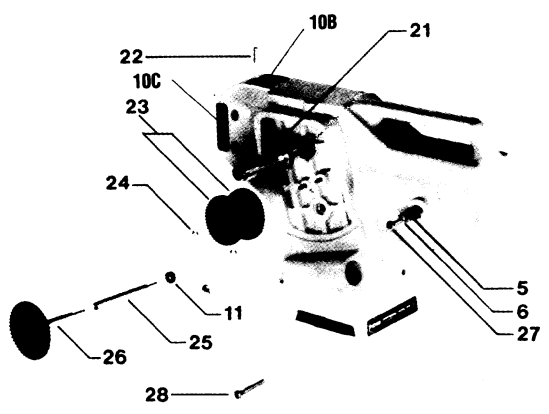


## RIGHT SIDE FRAME ASSEMBLY

| KEY NO. | PART NO. | DESCRIPTION                   | PRICE |
|---------|----------|-------------------------------|-------|
| 1       | 132A800  | Frame w Bearing & Seals       |       |
| 2       | 264 800  | Frame Gasket                  | 15.40 |
| 3       | 227 800  | Frame Cover                   | 39.50 |
| 4       | 063 800  | Cover Mounting Screw (9)      | .80   |
| 5       | 220 800  | Rubber Washers (15)           | .80   |
| 6       | 205 800  | Flat Washers(15)              | .50   |
| 7       | 530 800  | Power Cable (Upper)           | 37.50 |
| 8       | 203 800  | Power Cable Clip              | 1.25  |
| 9       | 532 800  | Power Cable (Lower)           | 33.00 |
| 10      | 216 800  | Model Number Decal            | .80   |
|         | 216 825  | Model Number Decal            | .80   |
| 10A     | 226 825  | Wiring Diagram (Not Shown)    | .70   |
| 11      | 247 800  | Counter Cup Shaft Seal (1)    | 3.30  |
| 12      | 247 620  | Counter Cup Thrust Washer (2) | .75   |
| 13      | 190P600  | Counter Cup Washer            | 1.65  |
| 14      | 200 600  | Counter Cup Lock Nut          | 1.65  |
| 15      | 302 800  | Magnet w/Housing              | 13.50 |
| 16      | 124 800  | Counter Cup Plate             | 1.70  |
| 17      | 181 800  | Counter Cup                   | 15.40 |
| 18      | 305 800  | Counter Cup Indicator         | 1.90  |

| KEY NO. | PART NO. | DESCRIPTION                       | PRICE  |
|---------|----------|-----------------------------------|--------|
| 19      | 057 109  | Compression Spring                | \$ .65 |
| 20      | 303 800  | Magnet Housing Knob               | 3.00   |
| 59      | 184 600  | Hold Down Knob                    | 7.90   |
| 60      | 206 600  | Hold Down Knob Washer             | .80    |
| 61      | 192 600  | Hold Down Knob Spring             | 1.25   |
| 62      | 195 600  | Hold Down Retaining Ring          | 1.35   |
| 88      | 159A800  | Gear Box Cover w Bearing          |        |
| 89      | 063 800  | Gear Box Cover Mounting Screw (6) | .80    |
| 91      | 024A800  | Worm Shaft                        |        |
| 93      | 014A800  | Idle Gear                         |        |
| 94      | 253 800  | Idle Gear Retainer                |        |
| 94A     | 252 800  | Idle Gear Retaining Ring          |        |
| 94B     | 009 820  | Idle Shaft Spacer                 |        |
| 95      | 253 820  | Idle Gear Retainer w Balls        |        |
| 95A     | 252 820  | Worm Thrust BRG. Washer           |        |
| 96      | 018 970  | Tension Washer                    |        |
| 97      | 042A800  | Worm Shaft w Worm & Pin           |        |
| 98      | 246 800  | Worm Shaft Seal (2)               |        |
| 98A     | 245 800  | Main Shaft Seal (2)               |        |
| 113     | 531 800  | Lower Power Cord Cap              | 2.30   |

## LEFT SIDE FRAME ASSEMBLY



| KEY NO. | PART NO. | DESCRIPTION                  | PRICE  |
|---------|----------|------------------------------|--------|
| 5       | 220 800  | Rubber Washer (1)            | \$ .80 |
| 6       | 205 800  | Flat Washer (1)              | .50    |
| 10B     | 225A800  | Frame Warning Label          | .70    |
| 10C     | 217 825  | Switch Label                 | .70    |
| 11      | 247 800  | Counter Cup Shaft Seal (1)   | 3.30   |
| 21      | 098 800  | Main Sleeve                  | 16.25  |
| 22      | 102 800  | Main Sleeve Pin              | .80    |
| 23      | 178 600  | Idle Gear (2)                | 6.70   |
| 24      | 069B600  | Idle Gear Retaining Ring (2) | .90    |
| 25      | 188 800  | Counter Cup Shaft            | .80    |
| 26      | 179 600  | Counter Cup Gear             | 4.70   |
| 27      | 032 800  | Motor Mounting Screw         | .75    |
| 28      | 194 825  | Boom Screw                   | 2.50   |

## Penn Reel Parts list for:

## Model: 800 & 825 Fathom-Master Series

### RIGHT SIDE FRAME ASSEMBLY:

| KEY | PART     |  |
|-----|----------|--|
| NO  | NO.      | DESCRIPTION                            |
| 1   | 132A-800 | FRAME W/BEARING & SEALS                |
| 2   | 264-800  | FRAME GASKET                           |
| 3   | 227-800  | FRAME COVER                            |
| 4   | 63-800   | COVER MOUNTING SCREW (9 REQ.)          |
| 5   | 220-800  | RUBBER WASHERS (15 REQ.)               |
| 6   | 205-800  | FLAT WASHERS (15 REQ.)                 |
| 7   | 530-800  | POWER CABLE (UPPER)                    |
| 8   | 203-800  | POWER CABLE CLIP                       |
| 9   | 532-800  | POWER CABLE (LOWER)                    |
| 10  | 216-800  | MODEL NUMBER DECAL (800)               |
|     | 216-825  | MODEL NUMBER DECAL (825)               |
| 10A | 226-825  | WIRING DIAGRAM (NOT SHOWN)             |
| 11  | 247-800  | COUNTER CUP SHAFT SEAL (1)             |
| 12  | 247-620  | COUNTER CUP THRUST WASHER (2 REQ.)     |
| 13  | 190P-600 | COUNTER CUP WASHER                     |
| 14  | 200-600  | COUNTER CUP LOCK NUT                   |
| 15  | 302-800  | MAGNET W/ HOUSING                      |
| 16  | 124-800  | COUNTER CUP PLATE                      |
| 17  | 181-800  | COUNTER CUP                            |
| 18  | 305-800  | COUNTER CUP INDICATOR                  |
| 19  | 57-109   | COMPRESSION SPRING                     |
| 20  | 303-800  | MAGNET HOUSING KNOB                    |
| 59  | 184-600  | HOLD DOWN KNOB                         |
| 60  | 206-600  | HOLD DOWN KNOB WASHER                  |
| 61  | 192-600  | HOLD DOWN KNOB SPRING                  |
| 62  | 195-600  | HOLD DOWN RETAINING RING               |
| 88  | 156A-800 | GEAR BOX COVER W/BEARING               |
| 89  | 63-800   | GEAR BOX COVER MOUNTING SCREW (6 REQ.) |
| 91  | 5A-800   | MAIN GEAR W/SHAFT                      |
| 93  | 44A-800  | WORM SHAFT BEARING (2 REQ.)            |
| 94  | 253-800  | BEARING RETAINER W/BALLS               |
| 94A | 252-800  | WORM THRUST BEARING WASHER (4 REQ.)    |
| 94B | 9-820    | MAIN SHAFT SPACER                      |
| 95  | 253-820  | BEARING RETAINER W/BALLS               |
| 95A | 252-820  | WORM THRUST BEARING WASHER (4 REQ.)    |
| 96  | 18-970   | TENSION WASHER                         |
| 97  | 42A-800  | WORM SHAFT W/WORM & PIN                |
| 98  | 246-800  | WORM SHAFT SEAL (2 REQ.)               |
| 98A | 245-800  | MAIN SHAFT SEAL (2 REQ.)               |
| 113 | 531-800  | LOWER POWER CORD CAP                   |

#### NOTE:

Many of [www.pennparts.com](http://www.pennparts.com) schematics include changes that were either made by Penn, or errors found and corrected by our parts dept.

### LEFT SIDE FRAME ASSEMBLY:

| KEY | PART     |                                    |
|-----|----------|------------------------------------|
| NO  | NO.      | DESCRIPTION                        |
| 5   | 220-800  | RUBBER WASHER                      |
| 6   | 205-800  | FLAT WASHESR                       |
| 10B | 225A-800 | FRAME WARNING LABEL                |
| 10C | 217-825  | SWITCH LABEL                       |
| 11  | 247-800  | COUTNER CUP SHAFT SEAL             |
| 21  | 98-800   | MAIN SLEEVE                        |
| 22  | 102-800  | MAIN SLEEVE PIN                    |
| 23  | 178-600  | IDLER GEAR (2 REQ.)                |
| 24  | 69B-600  | IDLER GEAR RETAINING RING (2 REQ.) |
| 25  | 188-800  | COUNTER CUP SHAFT                  |
| 26  | 179-600  | COUNTER CUP GEAR                   |
| 27  | 32-800   | MOTOR MOUNTING SCREW               |
| 28  | 194-825  | BOOM SCREW                         |

### DRAG BRAKE ASSEMBLY:

| KEY | PART     |                            |
|-----|----------|----------------------------|
| NO  | NO.      | DESCRIPTION                |
| 44  | 29-800   | SPOOL                      |
| 45  | 191-836  | THERMAL INSULATOR          |
| 46  | 199P-600 | INSULATING WASHER (2 REQ.) |
| 47  | 86-600   | KEY WASHER (2 REQ.)        |
| 48  | 6P-600   | DRAG WASHER (2 REQ.)       |
| 49  | 7-836    | EAR WASHER (2 REQ.)        |
| 50  | 8-600    | TENSION WASHER             |
| 51  | 10-600   | DRAG CONTROL KNOB          |
| 62  | 9-800    | STAR DRAG SPACER           |
| 63  | 195-800  | MAIN SHAFT RETAINING RING  |

### ELECTRIC MOTOR ASSEMBLY:

| KEY | PART    |                         |
|-----|---------|-------------------------|
| NO  | NO.     | DESCRIPTION             |
| 6   | 205-800 | FLAT WASHER             |
| 80  | 501-800 | MOTOR                   |
| 81  | 273-800 | MOTOR SHROUD            |
| 82  | 31-800  | MOTOR SHROUD SCREW      |
| 83  | 304-800 | FAN W/ SET SCREW        |
| 84  | 119-800 | MOTOR SHAFT COUPLING    |
| 85  | 270-800 | MOTOR MOUNTING STRAP    |
| 86  | 123-800 | MOUNTING SCREW (2 REQ.) |

### ELECTRICAL DRIVE COMPONENTS:

| KEY | PART     |                   |
|-----|----------|-------------------|
| NO  | NO.      | DESCRIPTION       |
| 1   | 507-825  | PC BOARD          |
| 2   | 515-825  | HARNESS           |
| 3   | 63-349   | MOUNTING SCREW    |
| 4   | 181A-800 | INDICATOR BRACKET |
| 5   | 503-825  | SWITCH            |
| 6   | 504-800  | SWITCH BOOT       |