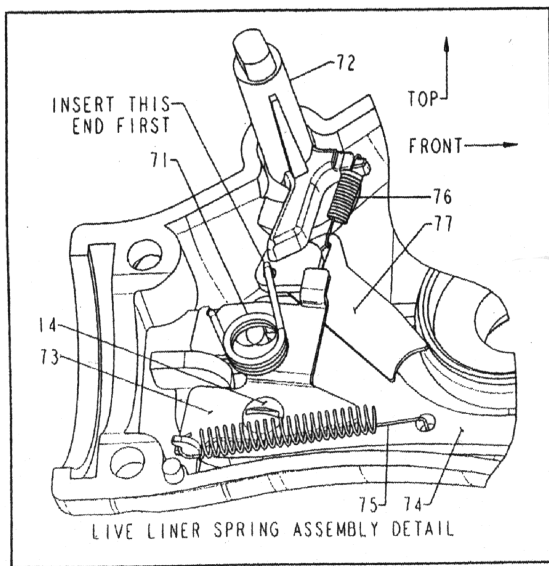
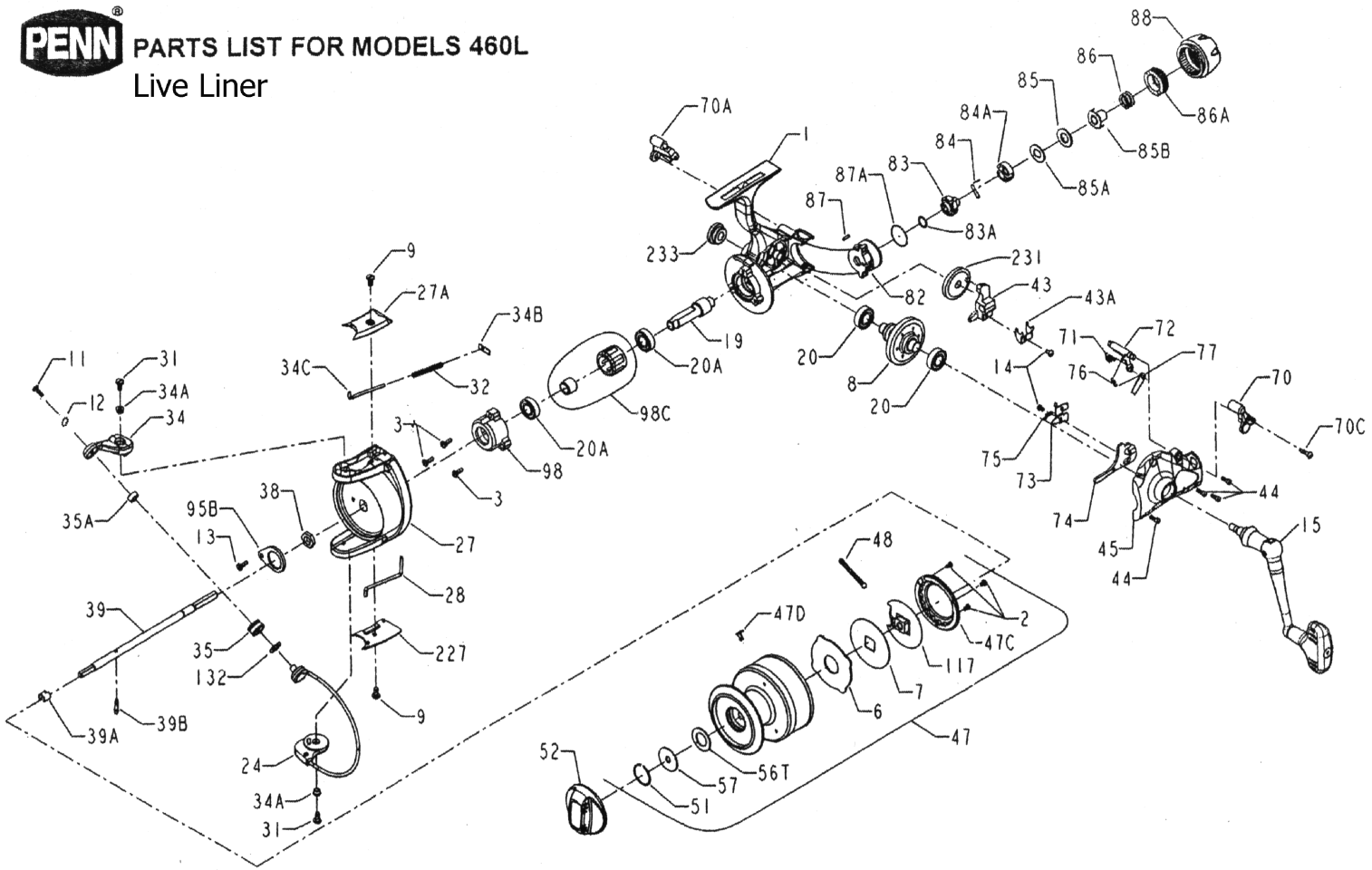


PENN PARTS LIST FOR MODELS 460L
Live Liner



www.PENNparts.com

SBT Ver. 051907

Penn 407-560L Rev. -- 05-11-06

Penn Reel Parts list for Model: 460L - LIVE LINER

KEY NO	PART NO.	DESCRIPTION	KEY NO	PART NO.	DESCRIPTION
1	1-460L	HOUSING	47C	47C-5600	DRAG COVER
2	44-5600	SCREW (3 REQ.)	47D	47D-5600	LINE CLIP
3	44-710	SCREW (3 REQ.)	48	48-5600	CLICK TONGUE W/SPRING
6	6-5600	MAIN DRAG WASHER HT-100	51	51-650	RETAINING RING
7	7-5600	MAIN KEYED DRAG WASHER	52	52-560	DRAG KNOB (COMPLETE)
8	8-5600	GEAR	56T	56T-650	DRAG WASHER (TEFLON)
9	22-750	SCREW (2 REQ.)	57	57-5600	DRAG WASHER (KEYED)
11	36-5600	SCREW	70	70-5600	LIVE LINER ECCENTRIC LEVER (LEFT)
12	36A-5600	LOCK WASHER	70A	70A-5600	LIVE LINER ECCENTRIC LEVER (RIGH)
13	63A-2.5FR	SCREW	70C	70C-5600	SCREW
14	44-4400	SCREW (2 REQ.)	71	71-5600	LIVE LINER ECCENTRIC SPRING
15	15-460	HANDLE NEW GOLD COMPLETE	72	72-5600	LIVE LINER ECCENTRIC
15C	15C-650	PIVOT SCREW	73	73-5600	LIVE LINER PLATE
15G	15G-5600	HANDLE PIVOT	74	74-5600	LIVE LINER DOG
16	16-560	COLLAR	75	75-5600	LIVE LINER DOG SPRING
19	19-5600	PINION	76	76-5600	TRIP SPRING
20	20-722	BALL BEARING (2 REQ.)	77	77-5600	TRIP LEVER
20A	20-6500	BALL BEARING (2 REQ.)	82	82-5600	REAR HOUSING
24	24-4600	BAIL WIRE	83	83-5600	REAR DRAG RATCHET
27	27-4600	ROTOR CUP	83A	83A-5600	REAR DRAG RATCHET WASHER
27A	27A-5600	BAIL PIVOT COVER	84	84-5600	REAR DRAG CLICK SPRING
28	28-5600	TRIP LEVER	84A	84A-5600	REAR DRAG CLICK RETAINER
31	36-750	SCREW (2 REQ.)	85	85-5600	REAR DRAG WASHER
32	32-5600	BAIL SPRING	85A	85A-5600	REAR KEYED WASHER
34	34-5600	BAIL ARM	85B	85B-5600	REAR EARED WASHER
34A	34A-5600	ROTOR BUSHING (2 REQ.)	86	86-5600	REAR DRAG SPRING
34B	34B-5600	PIVOT PLATE	86A	86A-5600	REAR DRAG NUT
34C	34C-5600	PIVOT ARM	87	87-5600	REAR CLICK PIN
35	35-5600	LINE ROLLER	87A	87A-5600	REAR CLICK PIN RING
35A	35A-706	BAIL BEARING	88	88-5600	REAR DRAG KNOB
38	38-5600	ROTOR NUT	95B	95B-70	ROTOR LOCKING PLATE
39	39-5600	SPOOL SHAFT	98	98-5600	CLUTCH RETAINER
39A	39A-5600	LOCATING PIN CLIP	98C	98C-5600	CLUTCH BEARING ASSEMBLY
39B	39B-5600	LOCATING PIN	117	117-5600	DRIVE PLATE
43	43N-5600	CROSSWIND BLOCK	132	132-5600	LINE ROLLER WASHER
43A	43A-5600	SPOOL SHAFT CLIP	227	227-5600	BAIL TRIP COVER
44	39-4CH	SCREW (4 REQ.)	231	231N-5600	CROSSWIND GEAR
45	45-460L	HOUSING COVER	233	233-560	BEARING COVER
47	47-460L	SPOOL (COMPLETE)			

NOTE: Many of www.pennparts.com schematics include changes that were either made by Penn, or errors found and corrected by our parts dept.

SBT Ver. 051907 (From Penn's 407-460L Rev.- 5/11/06)