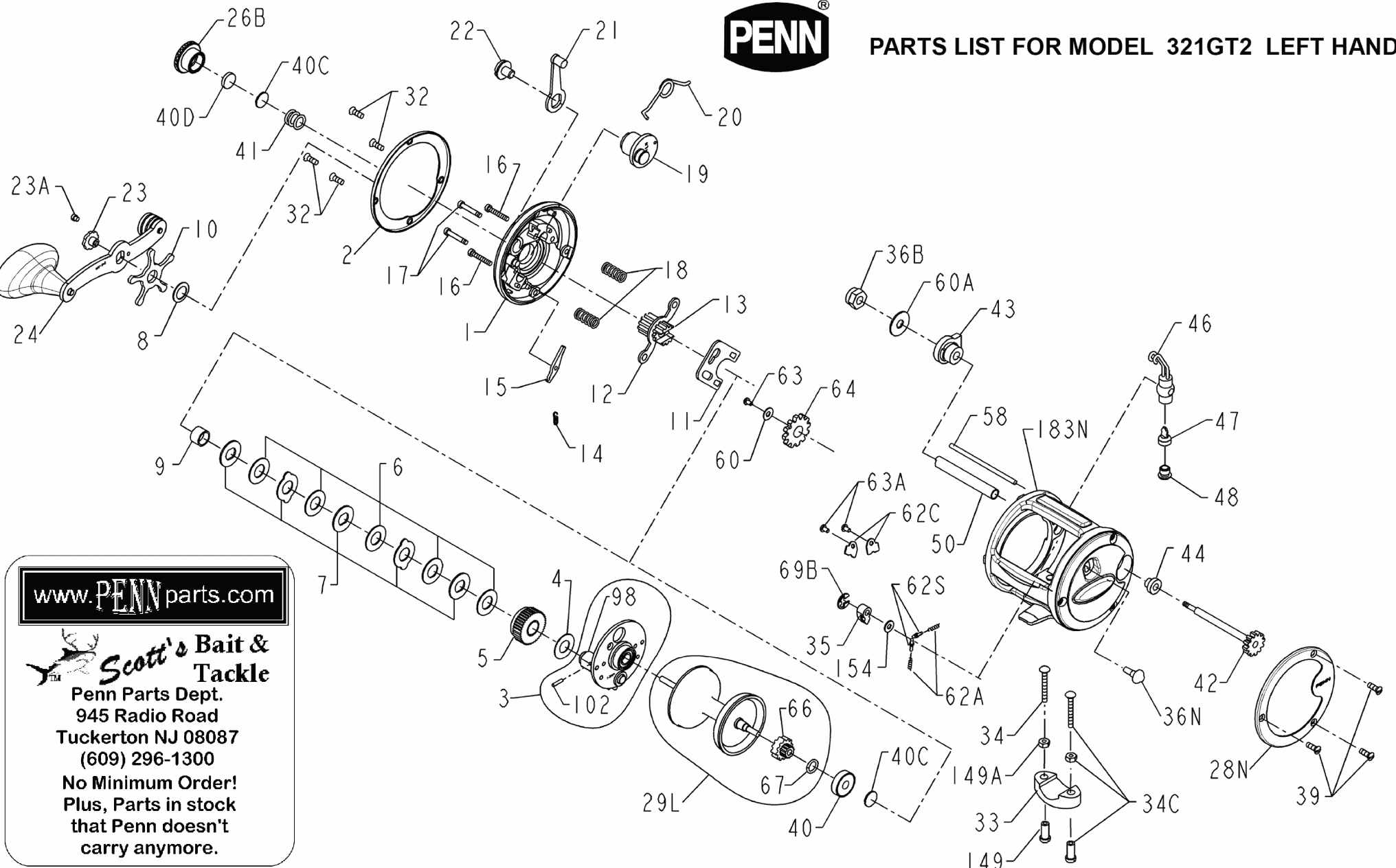




PARTS LIST FOR MODEL 321GT2 LEFT HAND



www.PENNparts.com

Scott's Bait & Tackle
 Penn Parts Dept.
 945 Radio Road
 Tuckerton NJ 08087
 (609) 296-1300
 No Minimum Order!
 Plus, Parts in stock
 that Penn doesn't
 carry anymore.

SBT Ver. 101008
 (based on Penn's Rev 6 5-8-08)

NEW ERGONOMIC FRAME & RING
 NOTE: NOT ALL PARTS TO SCALE

Penn Reel Parts list for:

Model: 321GT2-LH

KEY PART			KEY 0		
NO	NO.	DESCRIPTION	NO	NO.	DESCRIPTION
1	1-321LH	SIDE PLATE	36	36N-320LD	CLICK BUTTON
2	2-321LH	SIDE RING	36A	36A-40	CLICK BUTTON WASHER
3	3-321LH	BRIDGE ASSEMBLY	36B	36-700	WORM SHAFT NUT
4	4-349	FIBER WASHER	39	110-50	FRAME SCREW (3 REQUIRED)
5	5-321LH	MAIN GEAR	40	40-320	BALL BEARING
6	6-320	FRICTION DRAG WASHER (5 REQUIRE	40C	40C-320	METAL THRUST WASHER (2 REQUIRED)
7	7C-970	METAL DRAG WASHER (SET OF 5)	40D	40D-320	RUBBER THRUST WASHER
8	8-349	TENSION SPRING	41	41-330	RIGHT SIDE THRUST SPRING
9	9-320	SPACING SLEEVE	42	42-320N	WORM
10	10-321LH	STAR DRAG	43	43-330	RIGHT SIDE WORM BEARING
11	11-321LH	ECCENTRIC JACK	44	44-330	LEFT SIDE WORM BEARING
12	12-155	PINION YOKE	46	46-320N	LINE GUIDE CARRIAGE
13	13-321LH	PINION GEAR	47	47-975	PAWL
14	14-330	DOG SPRING	48	48-330N	PAWL COVER SCREW
15	15-320	DOG	50	50T-321	WORM SHEILD
16	16-113H	LOWER BRIDGE SCREW (2 REQUIRED	58	58-320	LINE GUIDE POST
17	17-113H	UPPER BRIDGE SCREW (2 REQUIRED	60	60-320	IDLER GEAR WASHER
18	18-60	CLUTCH SPRING (2 REQUIRED)	60A	60-320	IDLER GEAR WASHER
19	19-321LH	ECCENTRIC CAM	62A	62A-310	CLICK SPRING (2 REQUIRED)
20	20-321LH	ECCENTRIC SPRING	62C	62C-321LH	CLICK SPRING COVER (2 REQUIRED)
21	21-285	ECCENTRIC LEVER ASSEMBLY	62S	62S-310	CLICK PIN (2 REQUIRED)
22	22-60CH	ECCENTRIC SCREW	63	63-500S	IDLER GEAR SCREW
23	23-114	HANDLE ASSEMBLYS SCREW	63A	63-500S	CLICK SPRING SCREW (2 REQUIRED)
23A	110-60	HANDLE LOCK SCREW	64	64-320	IDLER GEAR
24	24S-320	HANDLE ASSEMBLY	66	66-320	SPOOL GEAR CLICK RATCHET
26B	26B-320	SPOOL TENSION CONTROL CAP	67	67-9	SPOOL GEAR LOCK RING
28	28N-321LH	L.S. RING	69B	69B-600	RETAINING RING (CLICK BUTTON)
29L	29L-320	ALUMINUM SPOOL	98	98-321LH	GEAR SLEEVE
32	32-17	SIDE PLATE SCREW (4 REQUIRED)	102	102-113	GEAR SLEEVE PIN
33	33-113	ROD CLAMP	149	149-45	CLAMP NUT ONLY
*	33R-200	RINGED ROD CLAMP (OPTIONAL)	149A	149-200	HEX NUT ONLY
34	34-45	CLAMP SCREW	154	154-117	CLICK BUTTON WASHER
34C	34C-45	CLAMP SCREW W/ NUTS	183	183N-321LH	FRAME
35	35-310N	CLICK TONGUE	<i>* Not Shown</i>		

NOTE: Many of www.pennparts.com schematics include changes that were either made by Penn, or errors found and corrected by our parts dept.
SBT Ver. 101008 (based on Penn's Rev 6 5-8-08)