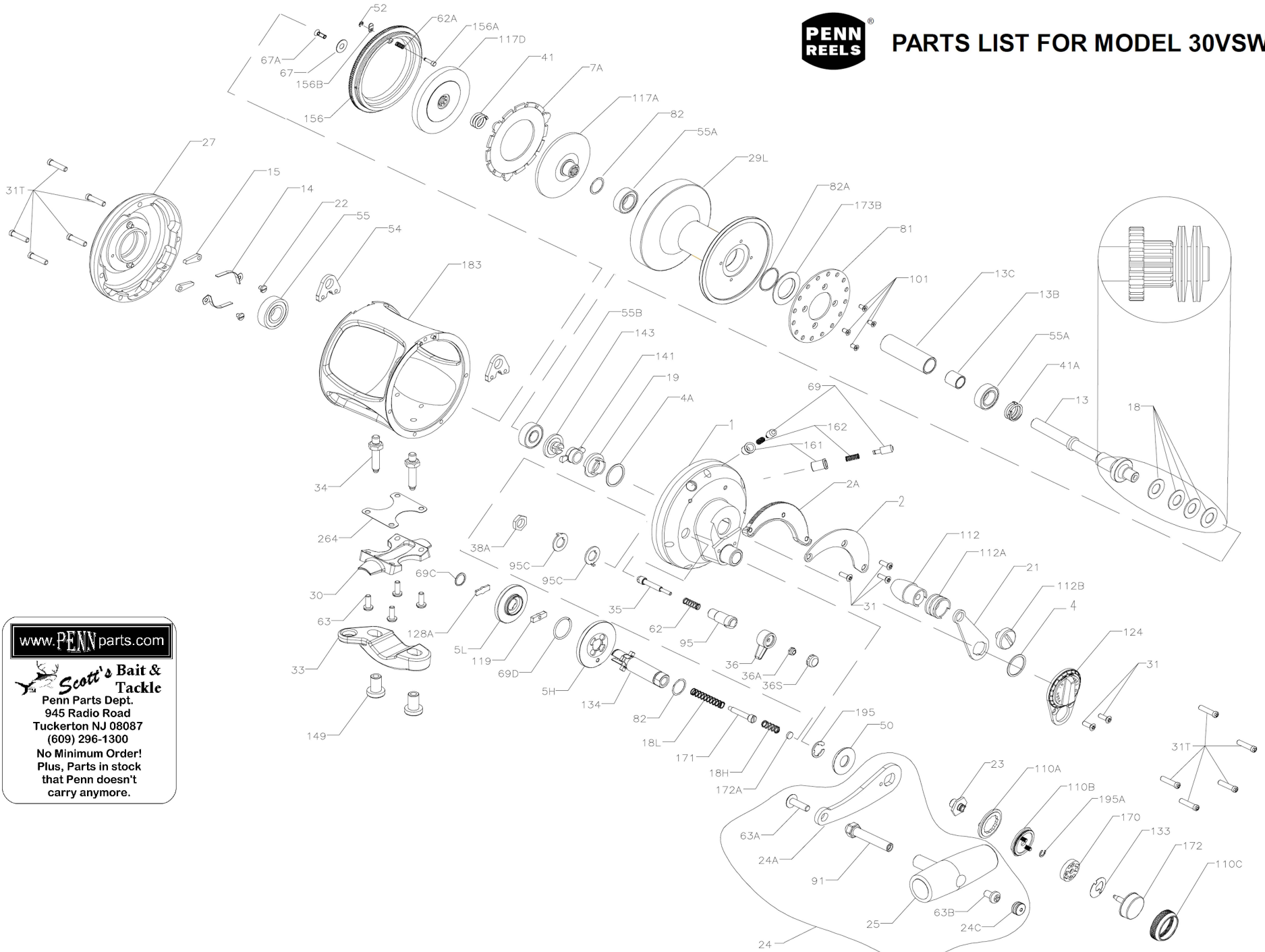




PARTS LIST FOR MODEL 30VSW



www.PENNparts.com

Scott's Bait & Tackle
 Penn Parts Dept.
 945 Radio Road
 Tuckerton NJ 08087
 (609) 296-1300
 No Minimum Order!
 Plus, Parts in stock
 that Penn doesn't
 carry anymore.

Penn Reel Parts list for:

Model: 30VSW

International V 2-speed

KEY PART			KEY PART		
NO	NO.	DESCRIPTION	NO	NO.	DESCRIPTION
1	1-30VS	RIGHT SIDE PLATE ASSEMBLY	63	63-30T	STAND SCREWS (4 REQ.)
2	2-30VS	QUADRANT RING	63A	63A-50	SCREW
2A	2A-30VS	QUADRANT SPACER	63B	63-50	SCREW
4	4-12LT	CAM THRUST WASHER	67	67-70	PINION GEAR WASHER
4A	4-30VS	CAM BUSHING	67A	67A-70	PLATE SCREW
5H	5-30VSHS	MAIN GEAR HIGH-SPEED	69	69-30VS	LOCATING PIN (2 REQ.)
5L	5-30VSLS	MAIN GEAR LOW-SPEED	69C	195-24KG	RETAINING RING
7A	7A-30VS	METAL DRAG WASHER	69D	69C-245	RETAINING RING (2 REQ.)
13	13-30VSW	PINION GEAR	81	81-50	RATCHET
13B	13B-70	PINION GEAR SLEEVE	82	154-80	SHIM (2 REQ.)
13C	13B-30VSW	SPOOL SLEEVE	82	82-30VS	SHIM
14	14-50	DOG SPRING (2 REQ.)	91	91N-50	HANDLE RIVET
15	15-50	DOG (2 REQ.)	95	95-70	CLICK TONGUE BUSHING
18	18-30	DISC CLUTCH SPRING (4 REQ.)	95C	95A-50	CLICK BUSHING WASHER
18H	18H-30VS	SHIFT SPRING (HEAVY)	101	101-30	RATCHET PLATE SCREW (11 REQ.)
18L	18L-30VS	SHIFT SPRING (LIGHT)	110A	110A-30VS	RING
19	19-30VS	ECCENTRIC CAM	110B	110B-30VS	SHIFT BASE
21	21-30VS	ECCENTRIC LEVER	110C	110C-30VS	SHIFT BUTTON RETAINER
22	22-109	DOG SPRING SCREW (2 REQ.)	112	112-30VS	ECCENTRIC LEVER KNOB ASSEMBLY
23	23-30VS	HANDLE SCREW (2 REQ.)	112A	112A-30VS	KNOB SLEEVE
24	24-30VS	HANDLE COMPLETE	112B	112B-70	ECCENTRIC KNOB SCREW
24C	24C-50	HANDLE KNOB CAP	117A	117AN-50S	DRIVE PLATE W/ DRAG WASHER
25	25-50	HANDLE KNOB	117D	117N-50S	DRIVE PLATE W/ DRAG WASHER
27	27-30VS	L.S. PLATE ASSEMBLY	119	119-24KG	COUPLING PLATE
29L	29L-30VSW	SPOOL	124	124L-30VS	BRIDGE COVER ASSEMBLY
30	30-20T	STAND	128A	128A-24KG	LOW GEAR PINS (6 REQ.)
31	31T-70	SHORT SCREW (5 REQ.)	133	133-30VS	RETAINING PLATE
31T	31T-80	SIDE PLATE SCREW (10 REQ.)	134	134-30VS	GEAR STUD
33	33-70	ROD CLAMP	141	141-30VS	CAM FOLLOWER
34	34-70	CLAMP SCREW (2 REQ.)	143	143-16VS	PRESET SCREW
34C	34C-70	ROD CLAMP SCREW W/NUT	149	149-70	ROD CLAMP NUT (2 REQ.)
35	35-70	CLICK TONGUE	156	156-30VS	DRAG COVER
36	36N-50	CLICK BUTTON	156A	156A-30VS	LOCK PIN
36A	36-700	CLICK BUTTON NUT	156B	156B-30VS	LOCK PLATE
36S	36S-80ST	CLICK BUTTON CAP	161	161-30VS	LOCATING PIN BUSHING (2 REQ.)
38A	38-710	CLICK BUSHING NUT	162	18B-965	LOCATING PIN SPRING (2 REQ.)
41	41-2.5FR	BEARING SPRING	170	170-30VS	CATCH ASSEMBLY
41A	41-70	DRAG SPRING	171	171-30VS	SHIFT PLUNGER
50	50-50VS	SHIELD	172	172-30VS	SHIFT BUTTON (LOW)
52	52-910	RETAINING RING	172A	172B-30VS	SPRING SPACER
54	54-30T	HARNES LUG (2 REQ.)	173B	173-50VS	BEARING RETAINER
55	55-80	BALL BEARING	183	183-30VS	TUBE FRAME
55A	55-80ST	BALL BEARING (2 REQ.)	195	195-40	RETAINING RING (2 REQ.)
55B	20-704	BALL BEARING	195A	67-30VS	RETAINING RING
62	62-50	CLICK SPRING	264	264-30T	STAND GASKET
62A	62-545	CLICK SPRING			

NOTE: Many of www.pennparts.com schematics include changes that were either made by Penn, or errors found and corrected by our parts dept.
last update 1/20/05