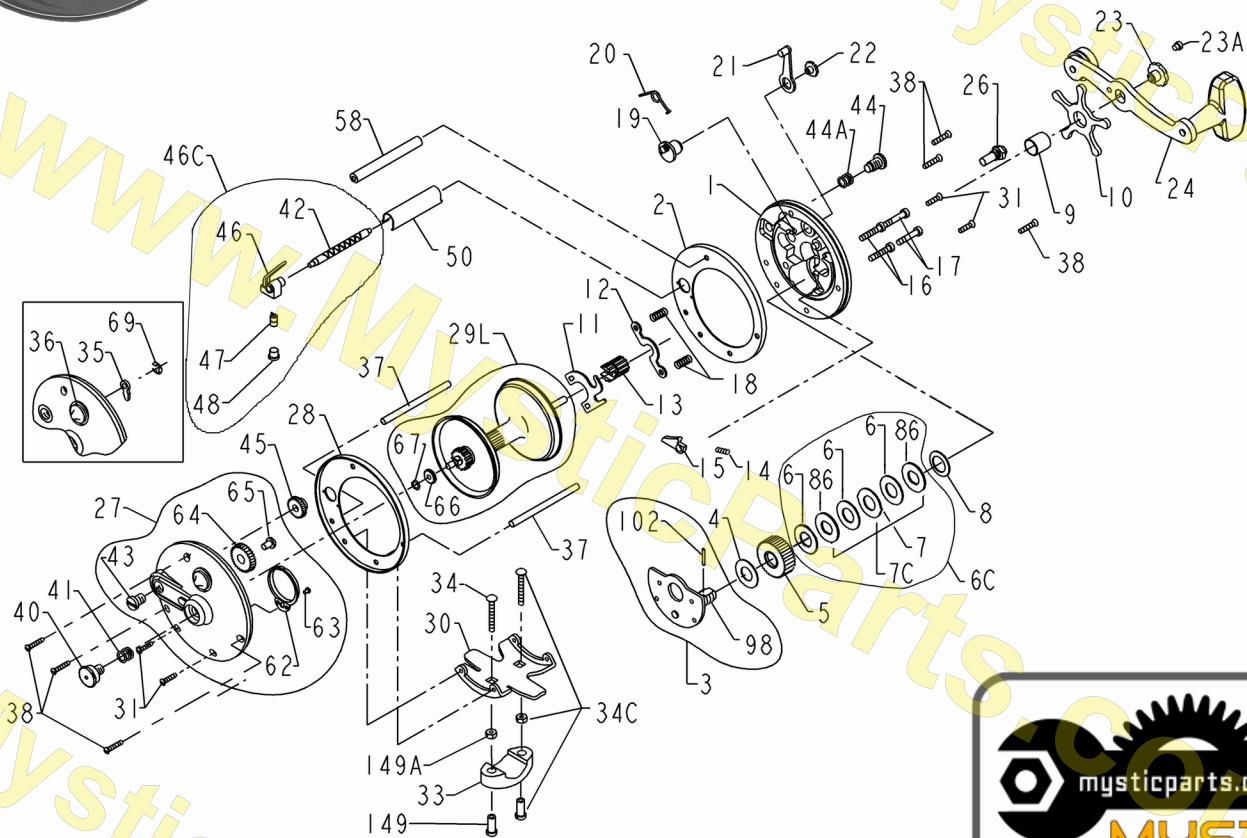


PENN

PARTS LIST FOR MODEL 309 aka 309M
REEL ASM. No. 1152034



**MYSTIC
REEL PARTS**

965 Radio Raod
Little Egg Harbor, NJ 08087
+1 (609) 296-1300
www.mysticparts.com
customerservice@mysticparts.com

MRP Ver 063022

(based on Penn's REV 11 11-1-18)

PENN SCHEMATIC PARTS LIST FOR 309 aka 309M PEERLESS REEL

KEY NO	PUREFISHING PART NO	PART NO.	DESCRIPTION
1	<i>See design changes below</i>		
2	1180635	2-309	HANDLE SIDE RING, CHROME OVER BRONZE
3	1180725	3-309	BRIDGE W/ SLEEVE
4	<i>See correction below</i>		
5	1180871	5-500	MAIN GEAR
6	1180917	6-309	DRAG WASHER, HT100 MATERIAL (3 REQUIRED)
6C	1180394	6-309SP	DRAG WASHER (COMPLETE 6PC SET)
7	1181018	7-500	WASHER, EARRED METAL DRAG WASHER ONLY
7C	1181051	7C-500	DRAG WASHER (METAL SET)
8	1181056	8-60	TENSION WASHER
9	1181143	9-60	SPACING SLEEVE
10	1181176	10-60	STAR DRAG
11	1181227	11-60	ECCENTRIC JACK, STAINLESS STEEL (OLDER WER BRASS)
12	1181257	12-60	PINION YOKE
13	1181310	13-85	PINION GEAR, BRASS
13**	N/A	13-60	PINION GEAR, STEEL**
14	1181393	14-99	DOG SPRING
15	1181457	15-309	DOG
16	1181565	16-60CH	LOWER BRIDGE SCREW (2 REQ.)
17	1181594	17-60CH	UPPER BRIDGE SCREW (2 REQ.)
18	1181615	18-60	CLUTCH SPRING
19	1181680	19-309	ECCENTRIC
20	1181756	20-60L	ECCENTRIC SPRING
21	1181861	21-309	ECCENTRIC LEVER
22	1181908	22-60CH	ECCENTRIC SCREW (OLD 20-60)
23	1181935	23-60	HANDLE SCREW
23A	1184437	110-60	HANDLE LOCK SCREW
24	<i>See design changes below</i>		
26	1182114	26-60	HANDLE SIDE BEARING
27	<i>See design changes below</i>		
28	1182380	28-309	NON-HANDLE SIDE RING, CHROME OVER BRONZE
29L	<i>See design changes below</i>		
30	<i>See design changes below</i>		
31	1182709	32-16CH	STAND SCREW (2 REQ. PER SIDE)
33	<i>See design changes below</i>		
*	<i>See design changes below</i>		
34	<i>See design changes below</i>		
34C	<i>See design changes below</i>		

KEY NO	PUREFISHING PART NO	PART NO.	DESCRIPTION
35	1182901	35-60	CLICK TONGUE
36	<i>See design changes below</i>		
37	1183060	37-65	FRAME POST (2 REQ.)
38	1183135	38-8	POST SCREW (3 REQ. PER SIDE)
40	1183267	40-60	NON-HANDLE SIDE BEARING
41	1183327	41-60	NON-HANDLE SIDE BEARING SPRING
42	1183346	42-209	WORM
43	1183375	43-109	NON-HANDLE SIDE WORM BEARING (orig 44-109 had an oil port NLA)
44	1183469	44N-109	HANDLE SIDE WORM BEARING
44A	1183927	57-109	WORM BEARING SPRING
45	<i>See design changes below</i>		
46	1183558	46-309	LINE GUIDE
46C	n/a	46-309C	LINE GUIDE ASSEMBLY 4PCs
47	1183614	47-109	PAWL
48	1183699	48-109	PAWL COVER
50	1183757	50-209	WORM SHEILD
58	1183950	58-209	SLOTTED POST
62	<i>See design changes below</i>		
63	<i>See design changes below</i>		
64	<i>See design changes below</i>		
65	1184084	65-209	IDLER GEAR SCREW
66	<i>See design changes below</i>		
67	1184108	67-209	DRIVE GEAR LCOK SPRING
69	<i>See design changes below</i>		
86	1184261	86-500	WASHER, KEYED METAL DRAG WASHER ONLY
98	1184328	98-60	GEAR SLEEVE
102	1184408	102-60	GEAR SLEEVE PIN
149	<i>See design changes below</i>		
149A	<i>See design changes below</i>		

MYSTIC REEL PARTS REVISION!

NOTE: Many of www.mysticparts.com schematics include changes that were either made by Penn, or errors found and corrected by our parts dept. MRP Ver 063022 (based on Penn's REV 11 11-1-18)

WARNING!
W2 LEVEL WIND GEARS CHANGED!

45, 64 AND 66 HAVE DIFFERENT DIAMETERS AFTER 2007

The idler gear, worm gear and level wind gear originally had slightly different dimensions on pre 2007 models. Penn changed all 3 and added N to ONE of the part numbers to reflect this, but the OTHER TWO part #s were never changed.

MEASURE YOUR METAL GEARS!

If working on older reels, as th eplastic one can wear down more and make measument unreliable. The original gears are no longer available, you would need to change all 3 to upgrade

******* MEASUREMENTS *******

KEY NO	PUREFISHING PART NO	PART NO.	DESCRIPTION
45	1183541	45N-309	WORM GEAR (NEWER DIAMETER)
64	1184063	64-309	IDLER GEAR (NEWER DIAMETER)
66	1184091	66-309	LEVEL WIND DRIVE GEAR (NEWER DIAMETER)

Original O.D.	Current O.D.
Caliper: .671 in	Caliper: 0.684" Ruler: 21/32" mm: 17.37mm
1.1 in	1.07 " 1 3/32" ** 27.18mm
.35 in	0.366 " 11/32" 9.30mm
Parts NOT available in the older diameters	THIS IS WHAT YOU GET NOW ** = just a hair under this measurement

REV 11 washer error

4	1180755	4-60	FIBER WASHER (use THIS one!)
	x		4-155 was listed in error on the rev11 schematic DO NOT USE THAT washer

HANDLE OPTIONS

<i>COUNTER BALANCED HANDLE DESIGNS</i>			
24	1191342	24S-310	HANDLE, STAINLESS STEEL BLADE, BLACK RUBBERIZED KNOB
	OLD#	24-66	HANDLE, CHROME/BRONZE BLADE, TORPEDO KNOB ASST'D COLORS
	OLD#	24N-66	HANDLE, CHROME/BRONZE BLADE, BLACK RUBBERIZED KNOB

SPOOL NOTES

29 or 29P	N/A	29-309	SPOOL, BAKELITE (PLASTIC)
29L	1182533	29L-309	SPOOL, ALUMINUM (BLACK)
29M	N/A	29M-309	SPOOL, METAL (CHROME OVER BRONZE)

SIDE PLATE CHANGES

1	1180491	1-309CHINA	HANDLE SIDE PLATE
		1-309USA	HANDLE SIDE PLATE
27	1182216	27-209	NON-HANDLE SIDE PLATE, BLACK, CHINA
	NLA	27-209USA	NON-HANDLE SIDE PLATE, BLACK OR OLDER RED/BURG, MADE IN USA

STAND NOTES

KEY NO	PUREFISHING PART NO	PART NO.	DESCRIPTION
30	1182609	30-66	STAND, MODERN (STAINLESS MATTE FINISH)
	N/A	30-66F	STAND, FRESHWATER 1970s (MEASUREMENT: ??)
	N/A	30-66S	STAND, SALTWATER 1970s (MEASUREMENT: ??)

CLICK SPRING AND BUTTON CHANGES

KEY NO	PUREFISHING PART NO	PART NO.	DESCRIPTION
62	1184028	62-309	CLICK SPRING (METAL)
63	1184048	63-209	CLICK SPRING SCREW (FOR METAL CLICK SPRING)
<i>ORIGINAL METAL SPRING, CHANGED TO PLASTIC THEN CHANGED BACK AGAIN</i>			
62	N/A	62M-209	CLICK SPRING (PLASTIC)
63	1182662	31-2.5FR	CLICK SPRING SCREW (FOR PLASTIC CLICK SPRING)
<i>On 9, 155, 209, 309, 320GT and 330GT reels: Clicker Screw (used with plastic 62M-209 clicker)</i>			
36	NLA	36-209	CLICK BUTTON, OLD STYLE DRILL OUT AND PEEN INTO PLACE
	1183048	36N-209	CLICK BUTTON, SLOTTED TO USE CLIP 69b-600
69	1184129	69B-600	CLICK BUTTON RETAINING SPRING

CLAMP CHANGES

<u>Older Thin Metal Clamps, Studs and Nuts</u>			
33	1182759	33-200	THIN METAL CLAMP
*	1182783	33R-200	THIN METAL CLAMP, W/RING (OPTIONAL)
34	1182810	34-200	CLAMP SCREW (ONLY) (2 REQUIRED)
34C	1182875	34C-200	CLAMP SCREW W/ HEX AND WING NUTS (2 REQUIRED)
33C	1191611	33C-200	THIN METAL CLAMP KIT W/STUDS/NUTS INCLUDED
149	1184702	149-45	CLAMP NUT, LONG (2 REQ.)
149A	1184706	149-200	HEX NUT (2 REQ.)
<u>Thicker Modern Clamps with shorter studs and long nut</u>			
33	N/A	33-113	ROD CLAMP, Thick Graphite
*	1182754	33N-113	ROD CLAMP, Thick Graphite w/ side ring
34	1182788	34-45	CLAMP SCREW (ONLY) (2 REQUIRED)
34C	1182862	34C-45	CLAMP SCREW W/ HEX AND LONG NUTS (2 REQUIRED)
33C	1180382	33N-113SP	THICK GRAPHITE CLAMP KIT W/STUDS/NUTS INCLUDED
149	1184709	152-200	WING NUT (2 REQ.)
149A	1184706	149-200	HEX NUT (2 REQ.)