



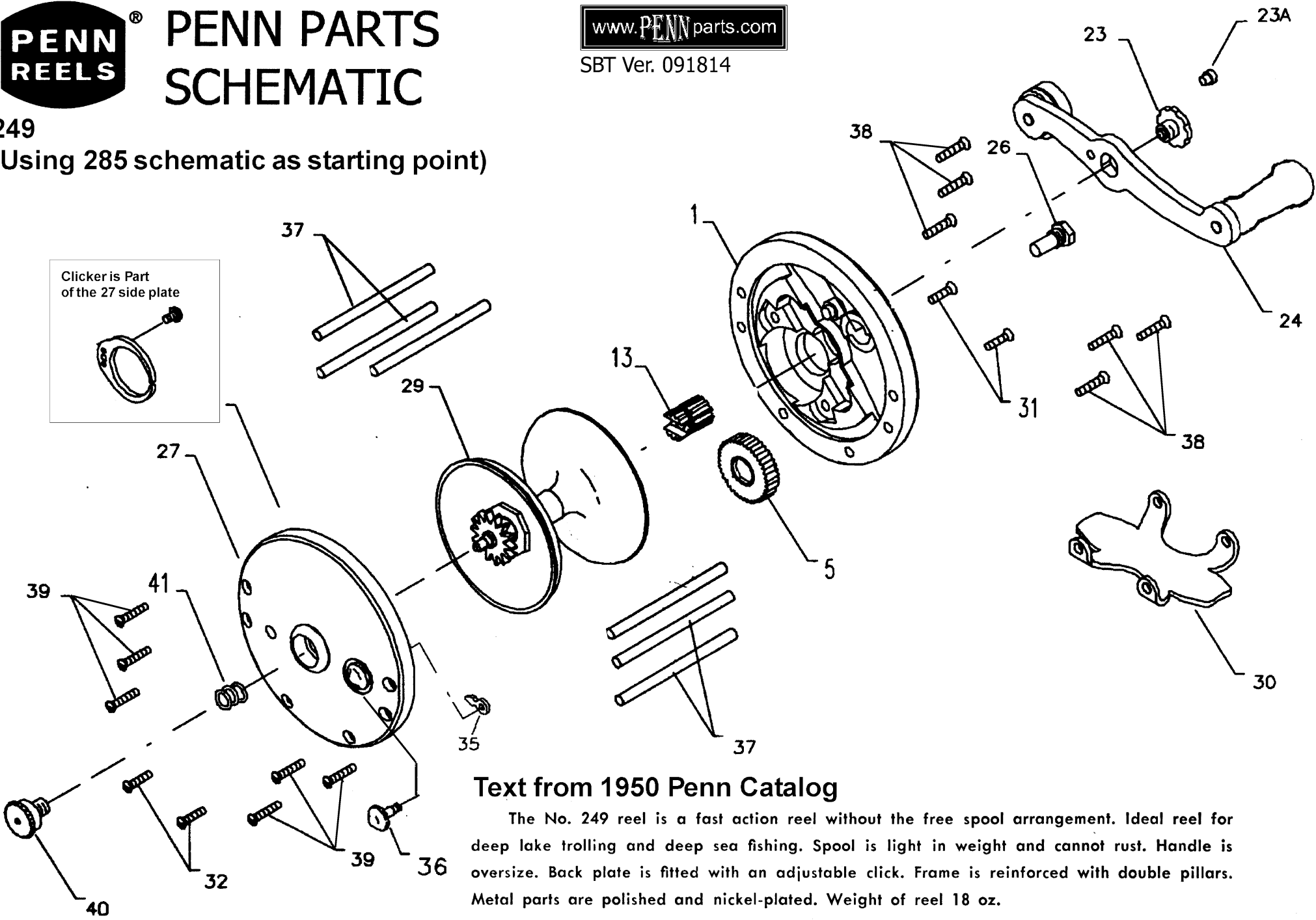
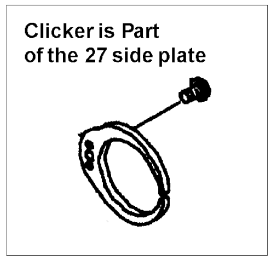
PENN PARTS SCHEMATIC

www.PENNparts.com

SBT Ver. 091814

249

(Using 285 schematic as starting point)



Text from 1950 Penn Catalog

The No. 249 reel is a fast action reel without the free spool arrangement. Ideal reel for deep lake trolling and deep sea fishing. Spool is light in weight and cannot rust. Handle is oversize. Back plate is fitted with an adjustable click. Frame is reinforced with double pillars. Metal parts are polished and nickel-plated. Weight of reel 18 oz.

Penn Reel Parts list for:

Model: 249

Mariner

KEY	PART		KEY	PART	
NO	NO.	DESCRIPTION	NO	NO.	DESCRIPTION
1	1-249	R.S. PLATE	30	30-49	STAND
5	5-249	MAIN GEAR	31	38-8	R.S. STAND SCREW (old 31-149)
13	13-249	PINION	32	38-8	L.S. STAND SCREW (old 31-149)
23	23-60	HANDLE SCREW	35	35-60	CLICK TONGUE
23A	110-60	HANDLE LOCK SCREW (Old#23A-60)	36	36-60CH	CLICK BUTTON
24	24-249	COMPLETE HANDLE	37	37-49	POST FRAME
26	26-249	R.S. BEARING	38	39-5	R.S. POST SCREW (old 38-60)
27	27-249	L.S. PLATE	39	39-5	L.S. POST SCREW (old 38-60)
29	29-249	PLASTIC SPOOL	40	40-60	L.S. BEARING
			41	41-60	BEARING SPRING

27-249 side plate was designed to include and adjustable clicker
this was part of the plate, parts not available seperately - Based on 1950 catalog info

NOTE: Many of www.pennparts.com schematics include changes that were either made by Penn, or errors found and corrected by our parts dept.
SBT Ver 091814