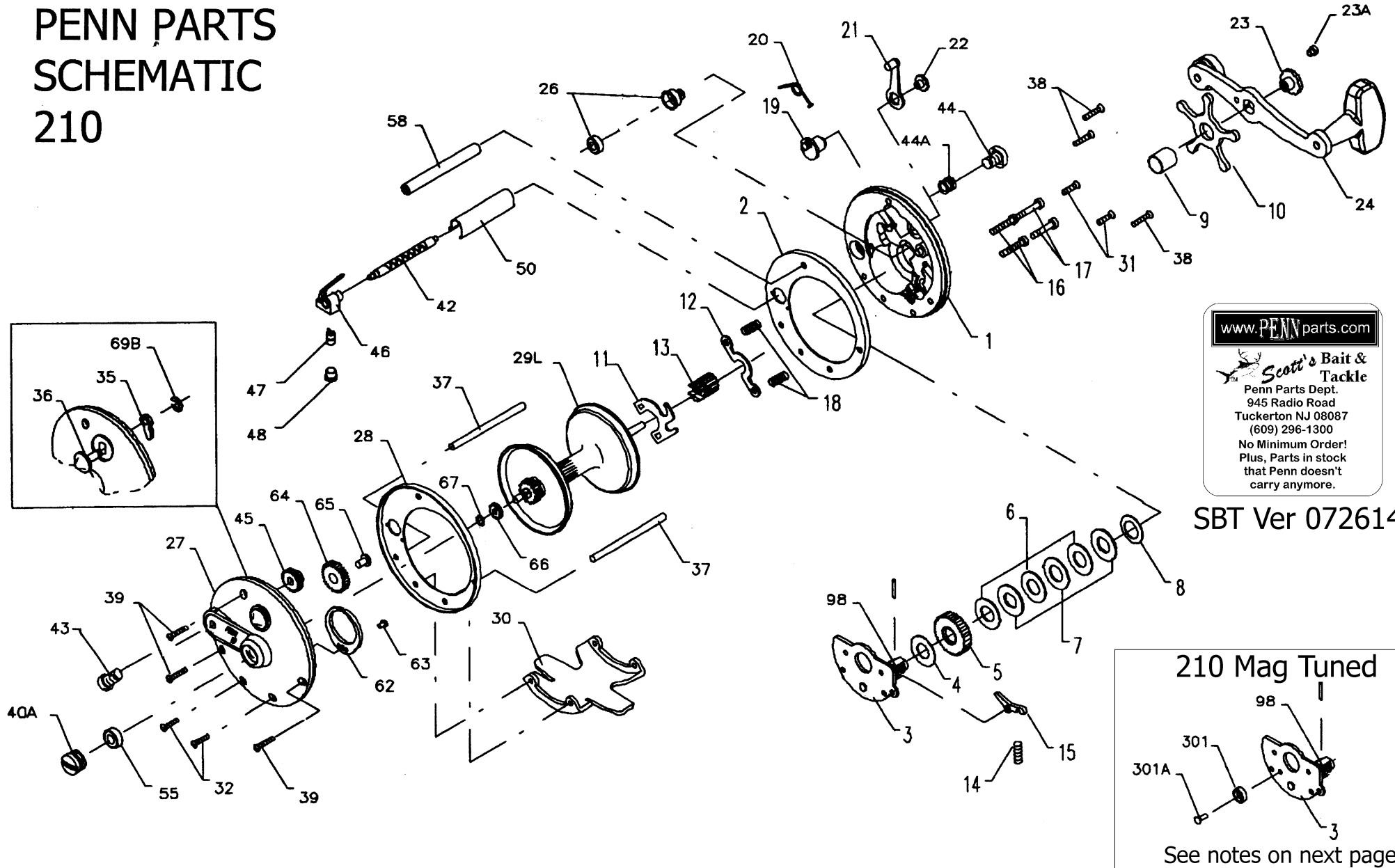
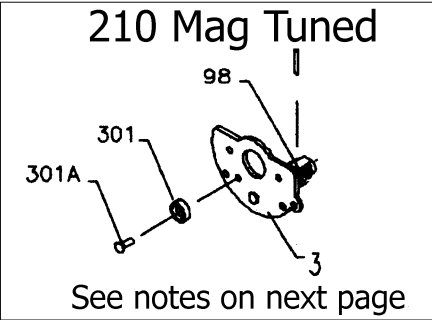


PENN PARTS SCHEMATIC 210



www.PENNparts.com
Scott's Bait & Tackle
 Penn Parts Dept.
 945 Radio Road
 Tuckerton NJ 08087
 (609) 296-1300
 No Minimum Order!
 Plus, Parts in stock
 that Penn doesn't
 carry anymore.

SBT Ver 072614



Penn Reel Parts list for Model: 210

KEYPART		KEYPART	
NONO.	DESCRIPTION	NONO.	DESCRIPTION
1 1-210	R.S. PLATE	33 33-113	ROD CLAMP
2 2-210	R.S. RING	*33R-200	RINGED ROD CLAMP (OPTIONAL)
4 4-60	FIBER WASHER	34 34-45	ROD CLAMP SCREW
5 5-500	MAIN GEAR	34C34C-45	ROD CLAMP SCREW W/ NUTS
6 6-309	DRAG WASHER	35 35-155	CLICK TONGUE
7 7C-500	METAL DRAG WASHER (SET)	36 36N-209	CLICK BUTTON
8 8-60	TENSION SPRING	37 37-160	FRAME POST (2 REQ)
9 9-60	SPACING SLEEVE	38 39-6	R.S. POST SCREW
10 10-505	STAR DRAG	39 38-8	L.S. POST SCREW
11 11-155	ECCENTRIC JACK	40 40-210	L.S. BEARING CAP ONLY
12 12-155	PINION YOKE	40A40A-210	L.S. BEARING CAP W/ BEARING
13 13-140	PINOIN GEAR	42 42-209	WORM
14 14-500	DOG SPRING	43 43-109	L.S. WORM BEARING
15 15-210	DOG	44 44N-109	R.S. WORM BEARING
16 16-60CH	LOWER BRIDGE SCREW (2 REQ.)	44A57-109	R.S. WORM BEARING SPRING
17 17-60CH	UPPER BRIDGE SCREW (2 REQ.)	45 45N-209	WORM GEAR
18 18-60	CLUTCH SPRING (2 REQ.)	46 46-209	LINE GUIDE
19 19-209	ECCENTRIC	47 47-109	PAWL
20 20-155	ECCENTRIC SPRING	48 48-109	PAWL COVER
21 21-285	ECCENTRIC LEVER	50 50-209	WORM SHEILD
22 22-60CH	ECCENTRIC SCREW	55 55-113H	SPOOL BEARING
23 23-60	HANDLE SCREW	58 58-209	SLOTTED POST
23A110-60	HANDLE LOCK SCREW	62 62-209	CLICK SPRING
24 24-66	HANDLE	63 63-209	CLICK SPRING SCREW
26 26-113H	R.S. BEARING	64 64-209	IDLER GEAR
27 27-210	L.S. PLATE ASSEMBLY	65 65-209	IDLER GEAR SCREW
28 28-209	L.S. RING	66 66-209	LEVEL WIND DRIVE GEAR
29L29L-210	SPOOL (ALUMINUM)	67 67-209	DRIVE GEAR LOCK SPRING
29M 29M-210	SPOOL METAL	69B69B-600	CLICK BUTTON RETAINING RING
30 30-66	STAND	149 149-45	CLAMP NUT
31 31-210	R.S. STAND SCREW (2 REQ.)	149A149-200	HEX NUT
32 32-22	L.S. STAND SCREW (2 REQ.)		

* Not Shown

NOTE: Many of www.pennparts.com schematics include changes that were either made by Penn, or errors found and corrected by our parts dept.
SBT Ver 072514

Some of the 210 reels have been MAG Tuned, like the 10 Mag reel

<u>210 with no magnets (Standard)</u>		<u>If reel is Mag tuned</u>	
3 3-210	BRIDGE W/ SLEEVE	3 3-210	BRIDGE W/ SLEEVE
98 98-505	GEAR SLEEVE	98 98-155	GEAR SLEEVE
		301 301-10	MAGNET
		301A301A-10	MAGNET STUD

***Note: we are not sure that part list for the Mag conversion of the 210 is a complete list. We do not have a MAG tuned 210 to work with here. It's possible whoever did the conversion may have included more 10 parts from the handle side the reel into the 210 reel than we have assumed here. Consult the 10 reel schematic to see the differences.