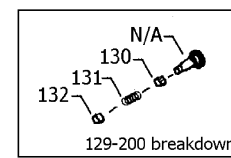


www.PENNparts.com

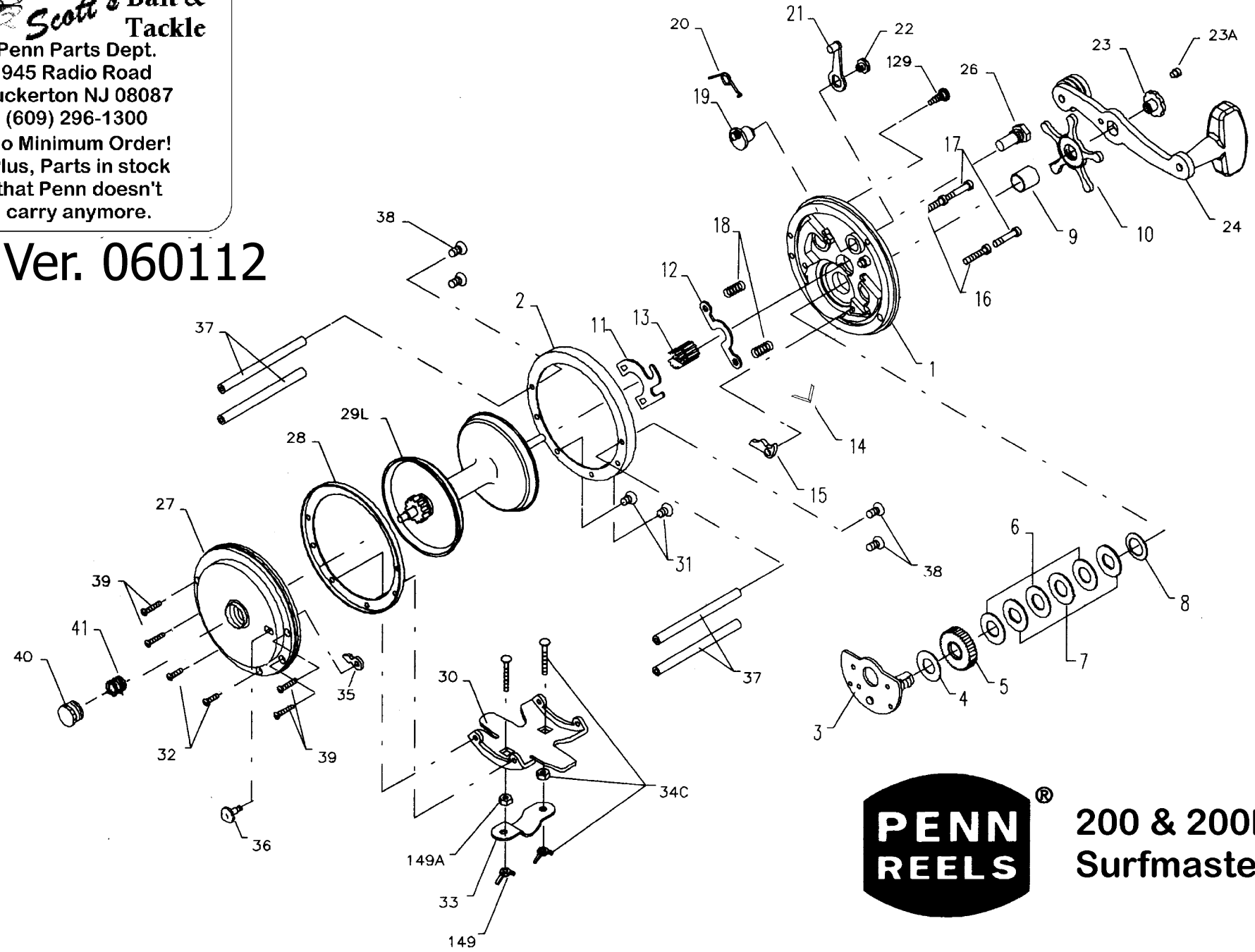
Scott's Bait & Tackle

Penn Parts Dept.
945 Radio Road
Tuckerton NJ 08087
(609) 296-1300

No Minimum Order!
Plus, Parts in stock
that Penn doesn't
carry anymore.



SBT Ver. 060112



**200 & 200M
Surfmaster**

Penn Reel Parts list for: Model:200M SURFMASTER

KEY PART			KEY PART		
NO	NO.	DESCRIPTION	NO	NO.	DESCRIPTION
1	1N-200	RIGHT SIDE PLATE	24	24-155	HANDLE
2	2-200	R.S. RING	26	26-155	R.S. BEARING
3	3-200	BRIDGE W/ SLEEVE	27	27-200	LEFT SIDE PLATE
4	4-155	FIBER WASHER	28	2-155	LEFT SIDE RING
5	5-60	MAIN GEAR	29L	29L-200	SPOOL
6	6-60	DRAG WASHER (3 REQ.)	30	30-200	STAND
7	7C-60	METAL WASHER SET	31	31-19	STAND SCREW (R.S.)
8	8-60	TENSION SPRING	32	32-16CH	STAND SCREW (L.S.)
9	9-60	SPACING SLEEVE	33	33-200	ROD CLAMP
10	10-60	STAR DRAG WHEEL	34C	34C-200	ROD CLAMP SCREW W/ NUTS
11	11-200	ECCENTRIC JACK	35	35-155	CLICK TONGUE
12	12-155	PINION YOKE	36	36-60CH	CLICK BUTTON
13	13-200	PINION	37	37-155	FRAME POST
14	14-155	DOG SPRING	38	38-7	R.S. POST SCREW
15	15-200	DOG	39	39-5	L.S. POST SCREW
16	16-60CH	LOWER BRIDGE SCREW	40	40-60	L.S. BEARING
17	17-60CH	UPPER BRIDGE SCREW	41	41-60	L.S. BEARING SPRING
18	18-60	CLUTCH SPRING (2 REQ.)	98	98-155	GEAR SLEEVE****
19	19-200	ECCENTRIC	149	152-200	WING NUT (2 REQ)
20	20-155	ECCENTRIC SPRING	149A	149-200	HEX NUT (2 REQ.)
21	21-200	ECCENTRIC LEVER	129	129-200	TAKE APART THUMB SCREW COMPLETE
22	22-99	ECCENTRIC SCREW	130	130-200	BRASS BUSHING, KNURLED, F/ THUMB SCREW
23	23-60	HANDLE SCREW	131	131-200	SPRING FOR THUMB SCREW
23A	110-60	HANDLE LOCK SCREW	132	132-200	BRASS RING/NUT FOR THUMB SCREW

NOTE: Many of www.pennparts.com schematics include changes that were either made by Penn, or errors found and corrected by our parts dept.
SBT Ver. 060112

Design change: 1-200 Side plate had small oiler port, 1N-200 does not

**** 98 It has come to our attention that there was an older run of 200M reels that have the 98-60 gear sleeve on them instead of the 98-155 gear sleeve.
Check the diameter of the ratchet from point to point:

$$98-60 = 8/10 (0.8) " = 2.032 \text{ cm}$$

$$98-155 = 6/10 (0.6) \text{ in} = 1.524 \text{ cm}$$