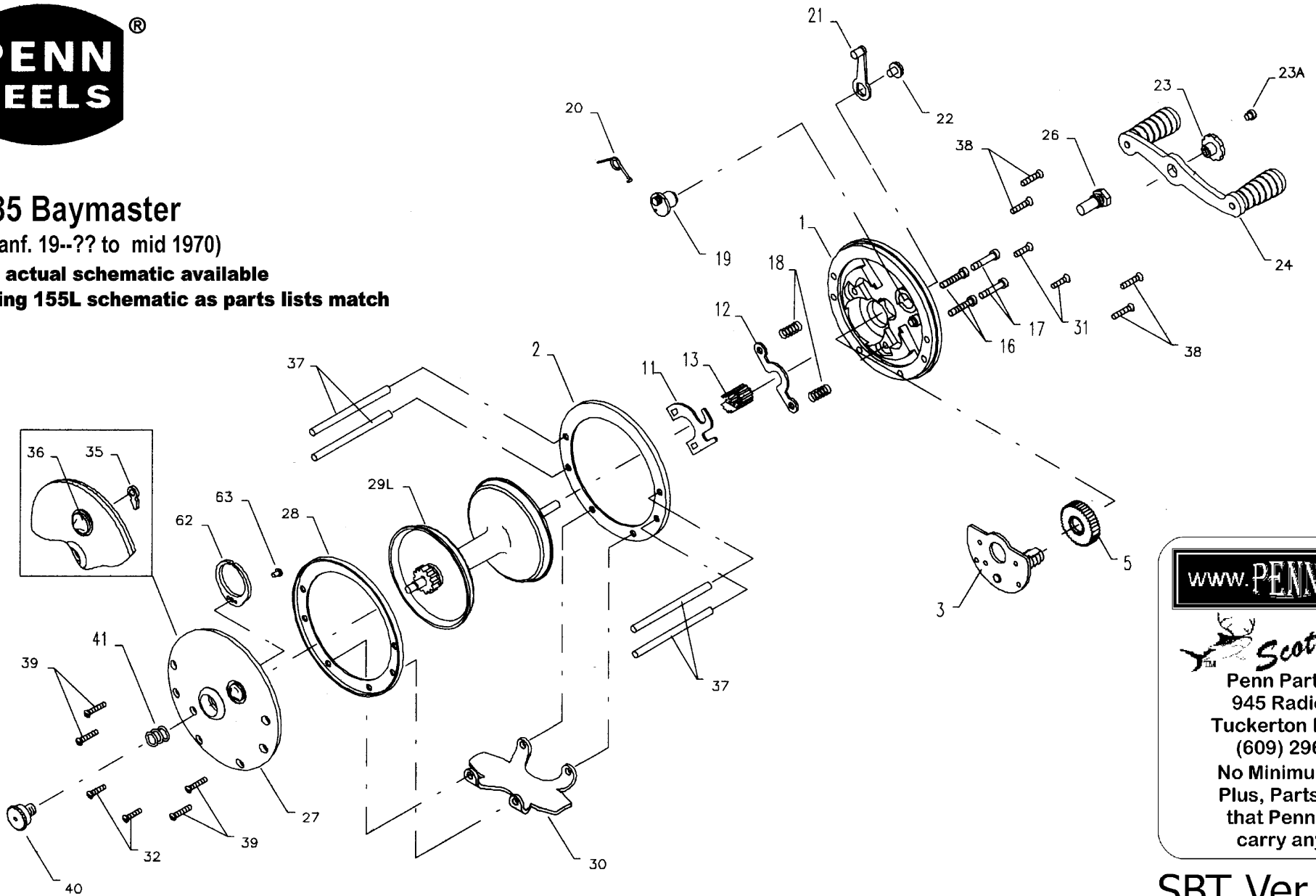




# 185 Baymaster

(Manf. 19--?? to mid 1970)

**no actual schematic available  
using 155L schematic as parts lists match**



[www.PENNparts.com](http://www.PENNparts.com)

**Scott's Bait & Tackle**  
Penn Parts Dept.  
945 Radio Road  
Tuckerton NJ 08087  
(609) 296-1300  
No Minimum Order!  
Plus, Parts in stock  
that Penn doesn't  
carry anymore.

SBT Ver 070311

**Penn Reel Parts list for:**

**Model: 185 Baymaster (19?? to mid-1970s)**

KEY PART			KEY PART		
NO	NO.	DESCRIPTION	NO	NO.	DESCRIPTION
1	1-185BAY	RIGHT SIDE PLATE	26	26-155	RIGHT SIDE BEARING
2	2-155	RING, HANDLE SIDE	27	27-155	LEFT SIDE PLATE
3	3-165	BRIDGE W/ SLEEVE	28	2-155	RING, NON-HANDLE SIDE
5	5-165	MAIN GEAR	29	29L-100	SPOOL
11	11-155	ECCENTRIC JACK	30	30-180S	STAND
12	12-155	PINION YOKE	31	32-18	R.S. STAND SCREW ( 2 REQ.)
13	13-155	PINION	32	32-14CH	L.S. STAND SCREW (2 REQ.)
16	16-60CH	LOWER BRIDGE SCREW	35	35-155	CLICK TONGUE
17	17-60CH	UPPER BRIDGE SCREW	36	36-155CH	CLICK BUTTON
18	18-60	CLUTCH SPRING	37	37-180	FRAME POST
19	19-155	ECCENTRIC	38	38-8	RIGHT SIDE PLATE SCREW (4 REQ.)
20	20-155	ECCENTRIC SPRING	39	32-22	LEFT SIDE POST SCREW (4 REQ.)
21	21-155	ECCENTRIC LEVER	40	40-60	LEFT SIDE BEARING
22	22-60CH	ECCENTRIC SCREW	41	41-60	LEFT SIDE BEARING SPRING
23	23-180	HANDLE SCREW			
24	24-109	HANDLE			

NOTE: Many of [www.pennparts.com](http://www.pennparts.com) schematics include changes that were either made by Penn, or errors found and corrected by our parts dept.  
 SBT Ver. 070311