

PENN Senator Series (14/0)

117L-LH Left Hand Version

(Part drawings corrected, may not be proportional)

On very early models it has been reported that the dog spring is a bent copper style. Replace dog and spring if so to new versions.

www.PENNparts.com

Scott's Bait & Tackle

Penn Parts Dept.
945 Radio Road
Tuckerton NJ 08087
(609) 296-1300

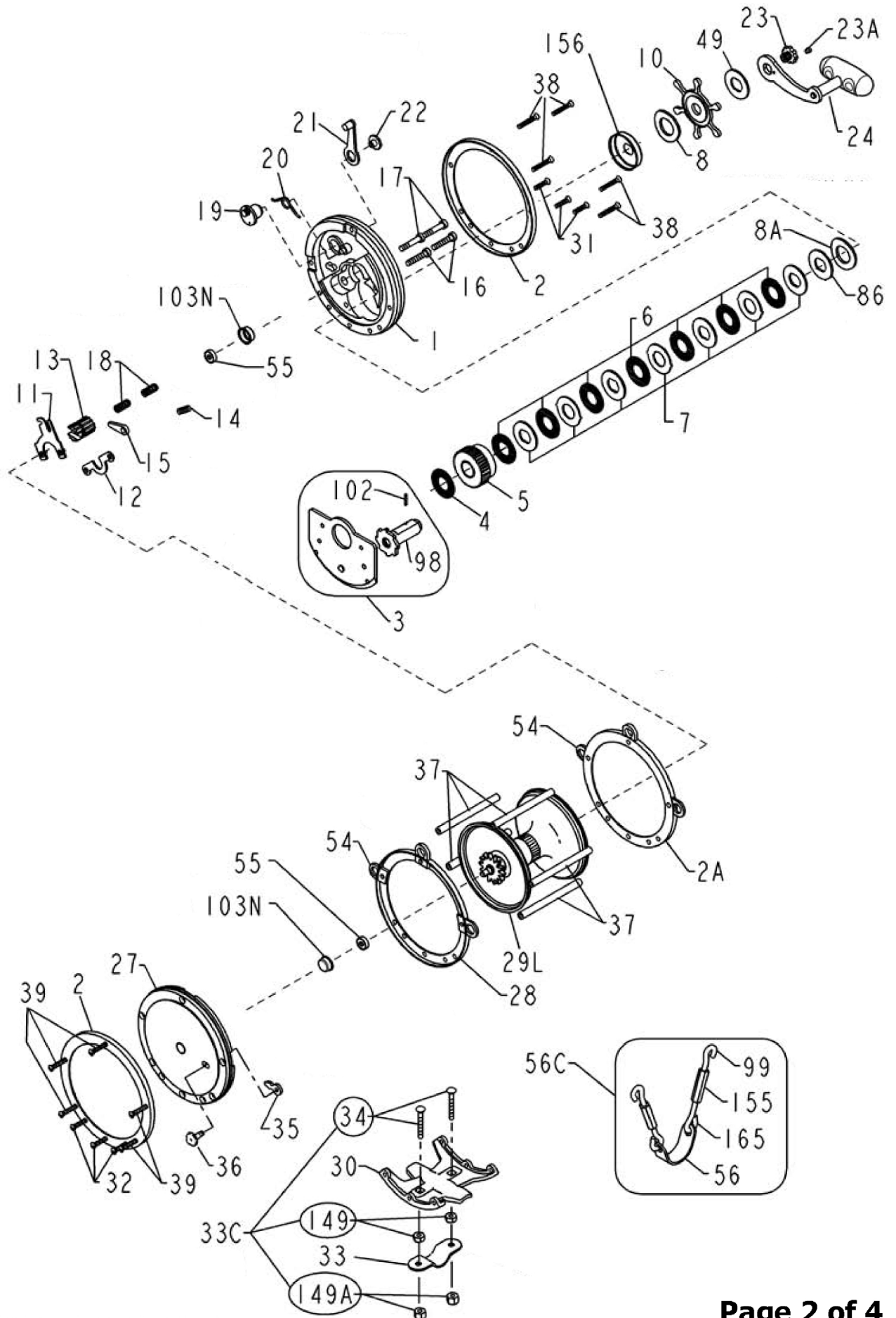
No Minimum Order!
Plus, Parts in stock
that Penn doesn't
carry anymore.

SBT Ver 022612



PARTS LIST FOR MODELS 117L 2012

REEL ASSEMBLY NOS. 1151087 (117L)



Penn Reel Parts list for Model: 117L (14/0) LEFT-HANDED

KEY NO.	PART NO.	DESCRIPTION	KEY NO.	PART NO.	DESCRIPTION
1	1-117	HANDLE SIDE PLATE	30	30-117	STAND
2	2-117-0	OUTER HANDLE SIDE RING (2 REQ)	31	39-12	STAND SCREW, BOTH SIDES
2A	2-117-I	INNER PLATE SIDE RING (2 REQ.)	33	33-117	ROD CLAMP
3	3-117	BRIDGE W/ SLEEVE	*	*33R-117	RINGED ROD CLAMP (OPTIONAL)
4	4-117	FIBER WASHER	34	34-130	CLAMP SCREW
5	5-117	MAIN GEAR	34C	34C-116	CLAMP SCREW W/ NUTS
8	8-117	TENSION SPRING WASHER	35	35-115	CLICK TONGUE
10	10-117	STAR DRAG WHEEL	36	36-117	CLICK BUTTON
11	11-116	ECCENTRIC JACK	37	37-116	FRAME POST (5 REQ.)
12	12-116	PINION YOKE	38	39-13	POST SCREW, BOTH SIDES (5 REQ. PER SIDE)
13	13-117	PINION	49	49-116	HANDLE SPACER
15	15-117	DOG	54	54-117	HARNES LUG (6 REQ.)
16	16-114	LOWER BRIDGE SCREW (2 REQ)	56	56-117	ROD BRACE (2 REQ.)
17	17-114	UPPER BRIDGE SCREW (2 REQ.)	56C	56C-117	ROD BRACE (COMPLETE)
18	18-114	CLUTCH SPRINGS (2 REQ.)	56P	56P-117	ROD BRACE PAD
19	19-115	ECCENTRIC	98	98-117	GEAR SLEEVE
20	20-114	ECCENTRIC SPRING	99	99-116	HOOK SCREW L.H. THREAD (2 REQ.)
21	21-117	ECCENTRIC LEVER	149	149-116L	HEX NUT (2 REQ.)
22	23-60	ECCENTRIC SCREW	149A	149-116H	CLAMP NUT (2 REQ.)
23	23-116	HANDLE SCREW	*	154-117	SPOOL SHAFT SHIM
23A	110-60	HANDLE LOCK SCREW	155	155-116	TURN BUCKLE (2 REQ)
24	24-117	HANDLE	156	156-117	DRAG COVER (Replaces old 9-117)
29L	29L-117	SPOOL	165	165-116	HOOK SCREW L.H. THREAD (4 REQ.)

* Not Shown

NOTE: Many of www.pennparts.com schematics include changes that were either made by Penn, or errors found and corrected by our parts dept.

SBT Ver 072217 (BASED ON PENN'S Rev.9, 8-28-12)

KEY

NO

6

7

*

6

7C

8A

14

14

26

40

55

103N

86

86

27

136

140

GENERATION DIFFERENCES

	1940	1980	2012	DESCRIPTION
6	6-117-OLD			THICK ASBESTOS DRAG WASHER (5 REQ)
7	7-117-OLD			THICK EARED METAL BRASS (2 REQ)
*	86-117-OLD			THICK KEYED METAL BRASS (3 REQ.)
6		6-117	6-117	DRAG WASHER (7 REQ.)
7C		7c-117	7c-117	METAL DRAG WASHER SET
8A			8-116	TENSION SPRING WASHER (BEVELED)
14	14-117-OLD			DOG SPRING, BENT COPPER
14		14-117	14-117	DOG SPRING, COILED
26	26-117	26-117		BEARING W/CAP (LIGHTER GAUGE, READS "BALL BEARING")
40	26-117	26-117		BEARING W/CAP (LIGHTER GAUGE, READS "BALL BEARING")
55			55-117	BEARING
103N			103N-117	CAP (HEAVIER GAUGE, PLAIN SURFACE)
86	86-118	86-118		THICK BEVELED TENSION WASHER
86			86-117	KEYED METAL WASHER
27	27-117-OA*	27-117	27-117	PLATE CHANGED, NUMBER DID NOT
136	136-117-OA*			Collar (old style outer access drags)
140	140-117-OA*			Felt Washer (old style outer access drags)

THESE OLD STYLE 1940+ PARTS ARE NOT AVAILABLE:

OA* = Old outer access drag system

On very early run models, it has been reported that the dog spring is the bent copper style. If so, when replacing the old spring with the newer, coiled version, you should also change out the dog to match.

Original drag stack had THICKER washers, and used less, current stack has more pieces. Current stack is (7) HT 100's with (7) metal washers