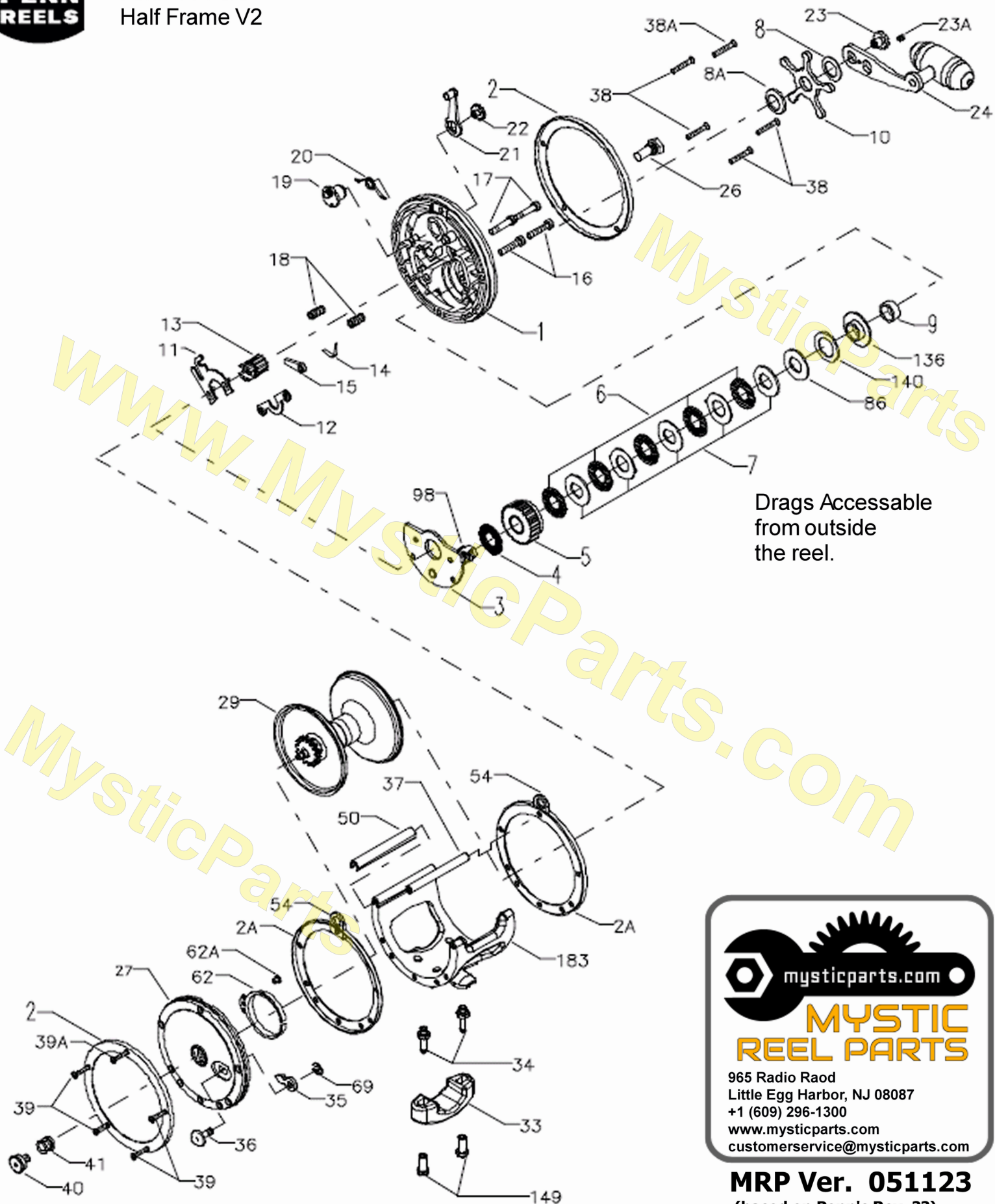




Penn 114 6/0
Half Frame V2



Drags Accessable
from outside
the reel.

MysticParts.com

mysticparts.com
MYSTIC REEL PARTS
965 Radio Raod
Little Egg Harbor, NJ 08087
+1 (609) 296-1300
www.mysticparts.com
customerservice@mysticparts.com

MRP Ver. 051123
(based on Penn's Rev. ??)

Penn Reel Parts list for Model: 114 HALF Frame 6/0 Version 2, 2002

KEY NO.	PUREFISHING PART NO.	PART NO.	DESCRIPTION	KEY NO.	PUREFISHING PART NO.	PART NO.	DESCRIPTION
1	1180455	1-114	Handle Side Plate	21	1181845	21-114	Eccentric Lever
2 +28	1180665	2N-114	Ring Outer, Both Sides	22	1181935	23-60	Eccentric Screw
2A	1180619	2-114-I	Handle Side Ring Inner	23	1181946	23-116	Handle Screw
3	1180704	3-114	Bridge with Sleeve	23A	1184437	110-60	Handle Lock Screw
4	1180704	4-114	Fiber Washer	24	1181979	24N-57	Handle
5	1180846	5-114	Main Gear	26	1182118	26-114	Friction Bearing, Handle Side
6	1180910	6-114	Drag Washer, HT100 (5 Required)	27	1182118	27-114	Non-Handle Side Plate
7C	1181043	7C-114	Metal Drag Washer Set	30	1182621	30-114	Stand
7	1181010	7-114	Earred Metal Drag Washer (2 Required)	31	1182652	31-11	Handle Side Stand Screw (3 Required)
8	1181067	8-114	Tension Spring (Set of 2)	32	1182712	32-20	Non-Handle Side Stand Screw (3 Required)
9	1181172	9N-114	Spacing Sleeve	37	1183068	37-114	Frame Post
10	1181185	10-114	Star Drag Wheel	38	1183146	38-114	Handle Side. Frame Screw (4 Required)
11	1181234	11-114	Eccentric Jack	38A	1183184	39-12	Handle Side. Post Screw
12	1181262	12-114	Pinion Yoke	39	1183201	39-114	Non-Handle Side. Frame Screw (4 Required)
13	1181321	13-114	Pinion	39A	1182713	32-21	Non-Handle Side. Post Screw
14	1181395	14-114	Dog Spring	40	1183272	40-114	Non-Handle Side Bearing
15	1181437	15-114	Dog	41	1183330	41-114	Spring
16	1181572	16-114	Bridge Screw Lower (2 Required)	50	1183755	50-114HF	Frame Shield
17	1181596	17-114	Bridge Screw Upper (2 Required)	54	1183857	54-114	Harness Lug (2 Required)
18	1181618	18-114	Clutch Spring	86	1184254	86-114L	KEYED METAL WASHER (3 Required)
19	1181664	19-114	Eccentric	98	1184334	98-114	Gear Sleeve
20	1181766	20-114	Eccentric Spring	136	1184641	136-114	Pressure Plate Washer
				140	1184643	140-114	Felt Washer
				183	n/a	183-114	Frame, Graphite Half Frame

VERSION 2 OF THE HALF FRAME REEL HAS DRAGS ACCESSIBLE FROM OUTSIDE THE REEL

MYSTIC REEL PARTS REVISION!

NOTE:
 Many of www.mysticparts.com schematics include changes that were either made by Penn, or errors found and corrected by our parts dept.
 MRP Ver. 051123 (based on Penn's Rev. ??)

KEY NO.	PUREFISHING PART NO.	PART NO.	DESCRIPTION
---------	----------------------	----------	-------------

Clicker System w/design change

36	1182991	36-114H	Click Button, held in with c-clip
35	1182915	35-114	Click Tongue
62	1184024	62-114	Click Spring
62A	1184048	63-209	Click Spring Screw
69	1184129	69B-600	Retaining Ring (c-clip)

SPOOL VARIANTS

29	1182118	29L-114	Spool, Aluminum Black
	n/a	29M-114	Spool Chrome over Bronze or Stainless

KEY NO.	PUREFISHING PART NO.	PART NO.	DESCRIPTION
---------	----------------------	----------	-------------

THICK GRAPHITE CLAMP AND CLAMP COMPONENTS

33	1182760	33-340	Rod Clamp, Thick Graphite
34		34-10KG	Clamp Screw (2 Required) (For Half Frame V2)
149	1184706	149-45	Long Clamp Nut (2 Required) (For Thick Clamp)

CHANGES:
 33R-114 and 33-114 Thin METAL CLAMPS WERE REMOVED - DOES NOT FIT THIS VERSION