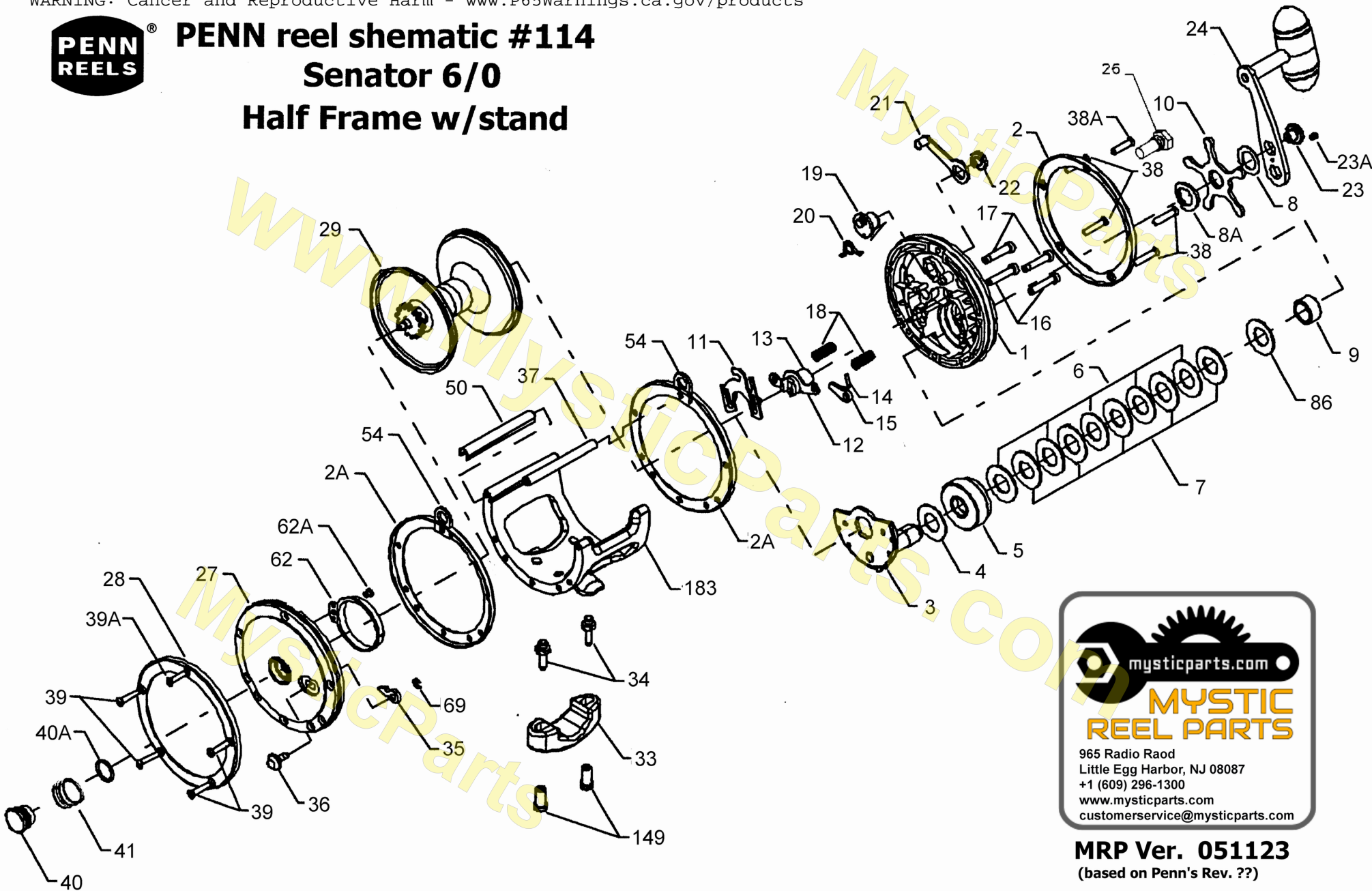




PENN reel schematic #114

Senator 6/0

Half Frame w/stand



mysticparts.com

MYSTIC REEL PARTS

965 Radio Raod
Little Egg Harbor, NJ 08087
+1 (609) 296-1300
www.mysticparts.com
customerservice@mysticparts.com

MRP Ver. 051123
(based on Penn's Rev. ??)

Penn Reel Parts list for Model: 114 HALF Frame 6/0

KEY NO.	PUREFISHING PART NO.	PART NO.	DESCRIPTION
1	1180455	1-114	Handle Side Plate
2 +28	1180665	2N-114	Ring Outer, Both Sides
2A	1180619	2-114-I	Handle Side Ring Inner
3	1180704	3-114	Bridge with Sleeve
4	1180704	4-114	Fiber Washer
5	1180846	5-114	Main Gear
6	1180910	6-114	Drag Washer, HT100 (5 Required)
7C	1181043	7C-114	Metal Drag Washer Set
7	1181010	7-114	Earred Metal Drag Washer (2 Required)
8	1181067	8-114	Tension Spring (Set of 2)
9	1181172	9N-114	Spacing Sleeve
10	1181185	10-114	Star Drag Wheel
11	1181234	11-114	Eccentric Jack
12	1181262	12-114	Pinion Yoke
13	1181321	13-114	Pinion
14	1181395	14-114	Dog Spring
15	1181437	15-114	Dog
16	1181572	16-114	Bridge Screw Lower (2 Required)
17	1181596	17-114	Bridge Screw Upper (2 Required)
18	1181618	18-114	Clutch Spring
19	1181664	19-114	Eccentric
20	1181766	20-114	Eccentric Spring

KEY NO.	PUREFISHING PART NO.	PART NO.	DESCRIPTION
21	1181845	21-114	Eccentric Lever
22	1181935	23-60	Eccentric Screw
23	1181946	23-116	Handle Screw
23A	1184437	110-60	Handle Lock Screw
24	1181979	24N-57	Handle
26	1182118	26-114	Friction Bearing, Handle Side
27	1182118	27-114	Non-Handle Side Plate
30	1182621	30-114	Stand
31	1182652	31-11	Handle Side Stand Screw (3 Required)
32	1182712	32-20	Non-Handle Side Stand Screw (3 Required)
37	1183068	37-114	Frame Post
38	1183146	38-114	Handle Side. Frame Screw (4 Required)
38A	1183184	39-12	Handle Side. Post Screw
39	1183201	39-114	Non-Handle Side. Frame Screw (4 Required)
39A	1182713	32-21	Non-Handle Side. Post Screw
40	1183272	40-114	Non-Handle Side Bearing
41	1183330	41-114	Spring
50	1183755	50-114HF	Frame Shield
54	1183857	54-114	Harness Lug (2 Required)
86	1184254	86-114L	KEYED METAL WASHER (3 Required)
98	1184334	98-114	Gear Sleeve
183	n/a	183-114HF	Frame, Graphite Half Frame

MYSTIC REEL PARTS REVISION!

NOTE:

Many of www.mysticparts.com schematics include changes that were either made by Penn, or errors found and corrected by our parts dept.

MRP Ver. 051123 (based on Penn's Rev. ??)

KEY NO.	PUREFISHING PART NO.	PART NO.	DESCRIPTION
---------	----------------------	----------	-------------

Clicker System w/design change

36	1182991	36-114H	Click Button, held in with c-clip
35	1182915	35-114	Click Tongue
62	1184024	62-114	Click Spring
62A	1184048	63-209	Click Spring Screw
69	1184129	69B-600	Retaining Ring (c-clip)

SPOOL VARIANTS

29	1182118	29L-114	Spool, Aluminum Black
	n/a	29M-114	Spool Chrome over Bronze or Stainless

KEY NO.	PUREFISHING PART NO.	PART NO.	DESCRIPTION
---------	----------------------	----------	-------------

THICK GRAPHITE CLAMP AND CLAMP COMPONENTS

33	1182760	33-340	Rod Clamp, Thick Graphite
34	1182839	34-975	Clamp Screw (2 Required) (For Thick Clamp on Half Fra
149	1184706	149-45	Long Clamp Nut (2 Required) (For Thick Clamp)

CHANGES:

33R-114 and 33-114 Thin METAL CLAMPS WERE REMOVED - DOES NOT FIT THIS VERSION