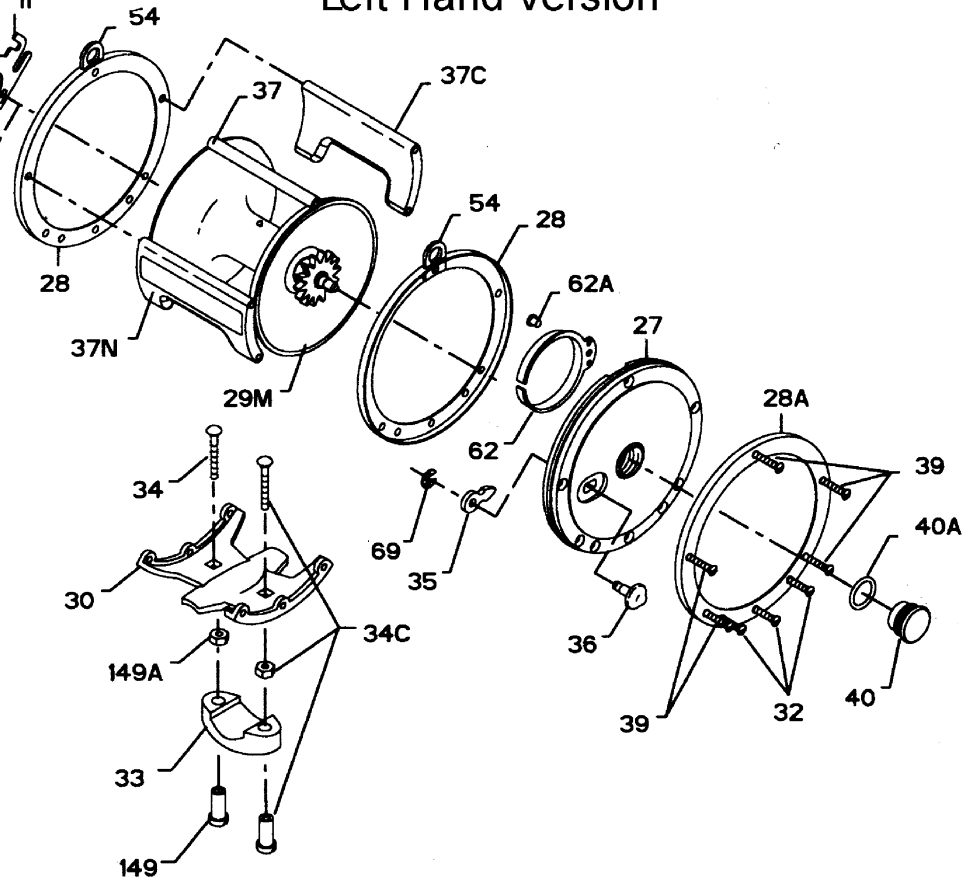
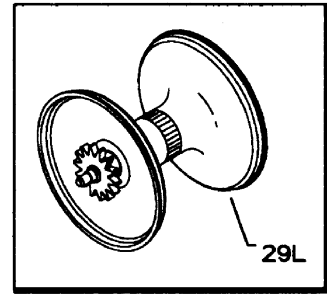


**4/0 Senator
113H-LH
w/ posts and clicker
Post 1996
Left Hand Version**



www.PENNparts.com

Scott's Bait & Tackle
Penn Parts Dept.
945 Radio Road
Tuckerton NJ 08087
(609) 296-1300
No Minimum Order!
Plus, Parts in stock
that Penn doesn't
carry anymore.

Penn Reel Parts list for:

Model: 113H-LH

1996 VERSION Posts AND Clicker (LEFT HAND VERSION)

KEY PART			KEY PART		
NO	NO.	DESCRIPTION	NO	NO.	DESCRIPTION
1	1N-113H	HANDLE SIDE PLATE	28	2-113-I	INNER SIDE RING
2	2-113H-O	OUTER RING SIDE RING	28A	2-113-O	OUTER NON-HANDLE SIDE RING
3	3-113H-LH	BRIDGE W/ SLEEVE (HANDLE HAND)	29L	29L-113HL	SPOOL
4	4-349	FIBER WASHER	30	30-113	STAND
5	5-113H-LH	MAIN GEAR (HANDLE HAND)	31	32-18	HANDLE SIDE STAND SCREW
6	6-113H	DRAG WASHER (5 REQ.)	32	32-17	NON-HANDLE SIDE STAND SCREW
7	7C-113H	METAL WASHER SET	33	33-113	ROD CLAMP
8	8-349	TENSION SPRING	*	33R-200	RINGED ROD CLAMP (OPTIONAL)
8A	18-970	TENSION SPRING DRAG	34	34-45	CLAMP SCREW (ONLY)
9	9-113H	SPACING SLEEVE	34C	34C-45	ROD CLAMP SCREW W/ NUTS
10	10-321LH	STAR DRAG WHEEL	35	35-60	CLICK TONGUE
11	11-113	ECCENTRIC JACK	36	36-113	CLICK BUTTON
12	12-60	PINION YOKE	37	37-113	FRAME POST
13	13-113H-LH	PINION (HANDLE HAND)	37C	37C-113HL	SPACER BAR (REAR) ("Senator II")
14	14-99	DOG SPRING	37N	37N-113H	SPACER BAR (FRONT) ("113H")
15	15-113H	DOG	38	39-9	HANDLE SIDE POST SCREW
16	16-113H	LOWER BRIDGE SCREW	39	39-3	NON-HANDLE SIDE POST SCREW
17	17-113H	UPPER BRIDGE SCREW	40	**40-113HL	NON-HANDLE SIDE BEARING WITH O RING
18	18-60	CLUTCH SPRING	40A	120-113H	NON-HANDLE SIDE BEARING O-RING (ONLY)
19	19-113	ECCENTRIC	54	54-113	HARNES LUG
20	20-155	ECCENTRIC SPRING	62	62-309	CLICK SPRING
21	21-66	ECCENTRIC LEVER	62A	63-209	CLICK SPRING SCREW
22	22-99	ECCENTRIC SCREW	69	69B-600	RETAINING RING
23	23-114	HANDLE SCREW	98	98-321	GEAR SLEEVE (HANDLE HAND)
23A	110-60	HANDLE LOCK SCREW	149	149-45	CLAMP NUT
24	24-113H	HANDLE	149A	149-200	HEX NUT
26	26-113H	HANDLE SIDE BEARING			
27	27N-113H	NON-HANDLE SIDE PLATE			

NOTE: Many of www.pennparts.com schematics include changes that were either made by Penn, or errors found and corrected by our parts dept.
 SBT Ver. 063011

Use 10-321LH drag NOT 10-349 as the 349 was NOT universal, there was an error on the old orig schematic.