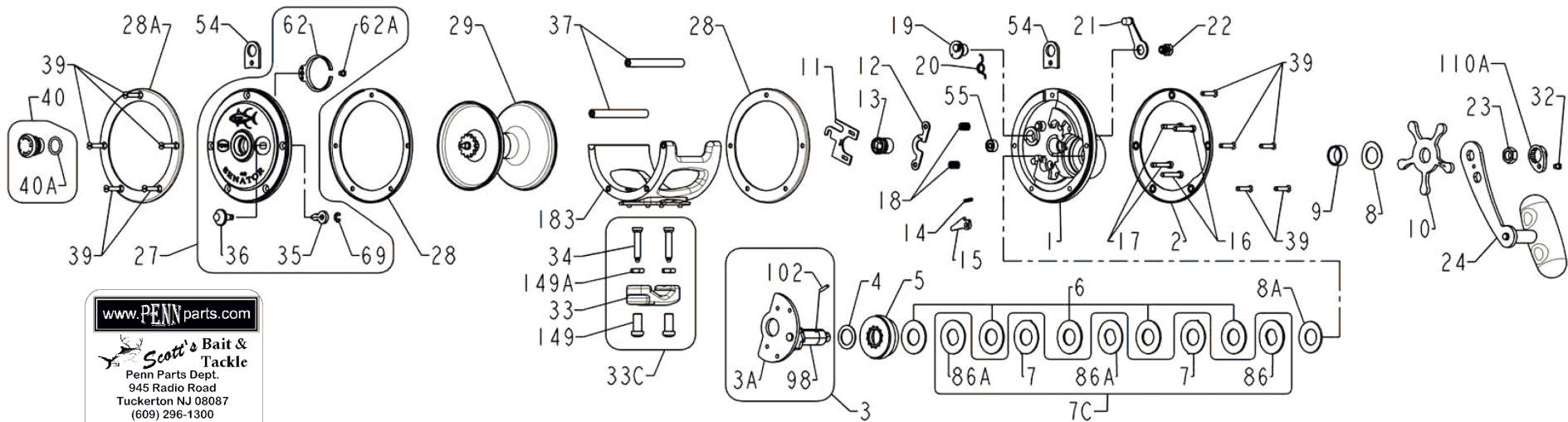


PENN PARTS LIST FOR MODEL 113H2LW



www.PENNparts.com
Scott's Bait & Tackle
 Penn Parts Dept.
 945 Radio Road
 Tuckerton NJ 08087
 (609) 296-1300
 No Minimum Order!
 Plus, Parts in stock
 that Penn doesn't
 carry anymore.

SBT Ver. 081410
 Based on Penn's Rev. 8

Penn Reel Parts list for Model: 113H2LW Half Frame, China Made

KEY NO	PART NO.	PUREFISHING PART #	DESCRIPTION	KEY NO	PART NO.	PUREFISHING PART #	DESCRIPTION
1	1-113H2	1197481	HANDLE SIDE PLATE	27	27N-113H2	1197521	NON-HANDLE SIDE PLATE
2	2-113H2-O	1197489	OUTER RING SIDE RING	28	2-113H2-I	1197488	INNER SIDE RING (2 REQUIRED)
3	3-113H2	1197495	BRIDGE W/ SLEEVE	28A	28-113H2	1197527	OUTER NON-HANDLE SIDE RING
3A	3-113H-1	1197496	BRIDGE Sub Assembly	29	29-113H2W	1191516	SPOOL
4	4-349	1180775	FIBER WASHER	32	32-15	1182708	HANDLE NUT CAP SCREW
5	5-113H	1180843	MAIN GEAR	33	33N-113	1182754	ROD CLAMP, GRAPHITE W/RING
6	6-113H	1180909	DRAG WASHER (5 REQUIRED)	33C	33C-112H2	1197533	ROD CLAMP KIT W/STUDS
7	7-970	1181029	METAL EAR DRAG WASHER (2 REQUIRED)	*	33R-200	1182783	RINGED ROD CLAMP (OPTIONAL)
7C	7C-113H2	1197506	METAL WASHER SET	34	34-16VS	1182786	CLAMP SCREW (ONLY) (2 REQUIRED)
8	8-349	1181077	TENSION SPRING	35	35-60	1182901	CLICK TONGUE
8A	18-970	1181627	TENSION SPRING DRAG	36	36-113	1182989	CLICK BUTTON
9	9-113H2	1197507	SPACING SLEEVE	37	37-113HLW	1183067	FRAME POST (2 REQUIRED)
10	10-349	1181197	STAR DRAG WHEEL	39	39-112H	1197540	SIDE PLATE SCREW (10 REQUIRED)
11	11-113	1181233	ECCENTRIC JACK	40	40N-113HL	1197542	NON-HANDLE SIDE BEARING w/o-ring
12	12-60	1181257	PINION YOKE	40A	120-113H	1184522	NON-HANDLE SIDE BEARING O-RING
13	13-113H	1181317	PINION	54	54-113	1183856	HARNES LUG (2 REQUIRED)
14	14-99	1181393	DOG SPRING	55	55-113H	1183880	HANDLE SIDE BEARING
15	15-113H	1181435	DOG	62	62-309	1184028	CLICK SPRING
16	16-113H	1181570	LOWER BRIDGE SCREW (2 REQUIRED)	62A	63-209	1184048	CLICK SPRING SCREW
17	17-113H	1181595	UPPER BRIDGE SCREW (2 REQUIRED)	69	69B-600	1184129	RETAINING RING
18	18-60	1181615	CLUTCH SPRING (2 REQUIRED)	86	86-113H	1184253	METAL KEYED DRAG WASHER
19	19-113	1181662	ECCENTRIC	86A	86-970	1184270	METAL KEYED DRAG WASHER (2 REQUIRED)
20	20-155	1181769	ECCENTRIC SPRING	98	98-113H	1197430	GEAR SLEEVE W/PIN
21	21-66	1181835	ECCENTRIC LEVER	102	102-113	1192230	GEAR SLEEVE PIN ONLY
22	22-112H2	1197513	ECCENTRIC SCREW	110A	110A-555	1184442	HANDLE NUT CAP
23	23-555	1181950	HANDLE SCREW	149	149-45	1184702	CLAMP NUT, LONG (2 REQUIRED)
24	24-113H2	1197517	HANDLE	149A	149-200	1184706	HEX NUT (2 REQUIRED)
				183	183N-113HLW	1198939	FRAME W/ STAND

**Not Shown*

NOTE: Many of www.pennparts.com schematics include changes that were either made by Penn, or errors found and corrected by our parts dept.
SBT Ver. 081410 based on Penn's Rev. 8

The main differences between the original 113H reels and the 113H2 reels appear to be mostly cosmetic - plates, rings, clamps, housing, etc., reflecting that the parts are all manf. in China