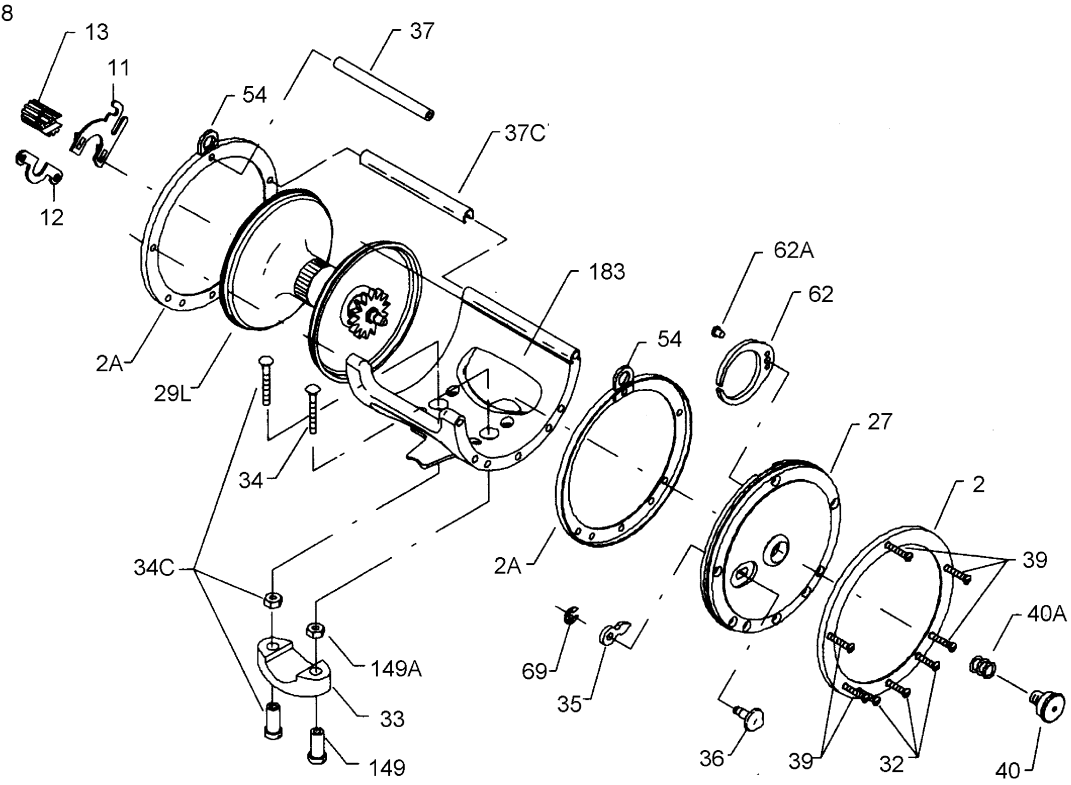
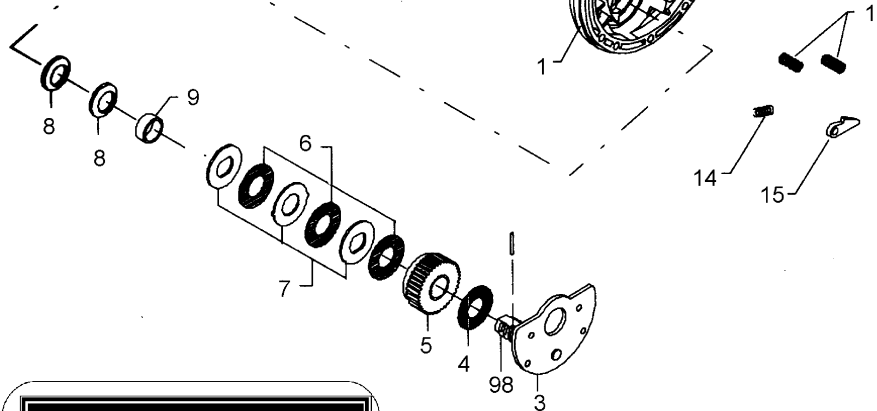


**4/0 SENATOR**  
**113-LH**  
 Left Hand Version



[www.PENNparts.com](http://www.PENNparts.com)

**Scott's Bait & Tackle**  
 Penn Parts Dept.  
 945 Radio Road  
 Tuckerton NJ 08087  
 (609) 296-1300

No Minimum Order!  
 Plus, Parts in stock  
 that Penn doesn't  
 carry anymore.

## Penn Reel Parts list for Model: 113-LH Senator (HANDLE HAND Version)

KEY NO	PART NO.	DESCRIPTION	KEY NO	PART NO.	DESCRIPTION
	1 1-113	HANDLE SIDE PLATE		24 24-66	HANDLE
	2 2-113-O	OUTER RING (2 REQ.)		26 26-60	NON-HANDLE SIDE BEARING
	2A2-113-I	INNER RING (2 REQ.)		27 27-113	NON-HANDLE SIDE PLATE
	3 3-113LH	BRIDGE W/ SLEEVE (HANDLE HAND VERSION)		29 29L-113	SPOOL
	4 4-60	FIBER WASHER		30 30-113	STAND
	5 5-66LH	MAIN GEAR (HANDLE HAND VERSION)		31 32-17	NON-HANDLE SIDE STAND SCREW
	6 6-113	DRAG WASHER (3 REQ.)		32 39-9	HANDLE SIDE STAND SCREW (3 REQ.)
	7 7C-60	METAL DRAG WASHER SET		33 33-113	ROD CLAMP
	8 8-60	TENSION SPRING (2 REQ.)		*33R-200	RINGED ROD CLAMP (OPTIONAL)
	9 9-66	SPACING SLEEVES		34 34-45	CLAMP SCREW (2 REQ.)
	10 10-66LH	STAR DRAG WHEEL (HANDLE HAND VERSION)		34C34C-45	ROD CLAMP SCREW W/ NUTS
	11 11-113	ECCENTRIC JACK		35 35-60	CLICK TONGUE
	12 12-113	PINION YOKE		36 36-113	CLICK BUTTON
	13 13-113LH	PINION (HANDLE HAND VERSION)		37 37-113	FRAME POST (5 REQ.)
	14 14-99	DOG SPRING		38 39-9	NON-HANDLE SIDE SCREW (5 REQ.)
	15 15-99	DOG		39 39-9	HANDLE SIDE SCREW (5 REQ.)
	16 16-60CH	LOWER BRIDGE SCREW (2 REQ.)		40 40-60	HANDLE SIDE BEARING
	17 17-60CH	UPPER BRIDGE SCREW (2 REQ.)		41 41-60	HANDLE SIDE BEARING SPRING
	18 18-60	CLUTCH SPRING (2 REQ.)		54 54-113	HARNES LUG (2 REQ.)
	19 19-113	ECCENTRIC		62 62-309	CLICK SPRING
	20 20-155	ECCENTRIC SPRING		62A63-209	CLICK SPRING SCREW
	21 21-66	ECCENTRIC LEVER		69 69B-600	RETAINING RING
	22 22-99	ECCENTRIC SCREW		98 98-60LH	GEAR SLEEVE (HANDLE HAND VERSION)
	23 23-60	HANDLE SCREW		149 149-45	ROD CLAMP NUT (2 REQ.)
	23A 110-60	HANDLE LOCK SCREW		149 149-200	HEX NUT (2 REQ.)

\* Not Shown

NOTE: Many of [www.pennparts.com](http://www.pennparts.com) schematics include changes that were either made by Penn, or errors found and corrected by our parts dept.  
SBT Ver. 060406