

www.PENNparts.com

Scott's Bait & Tackle

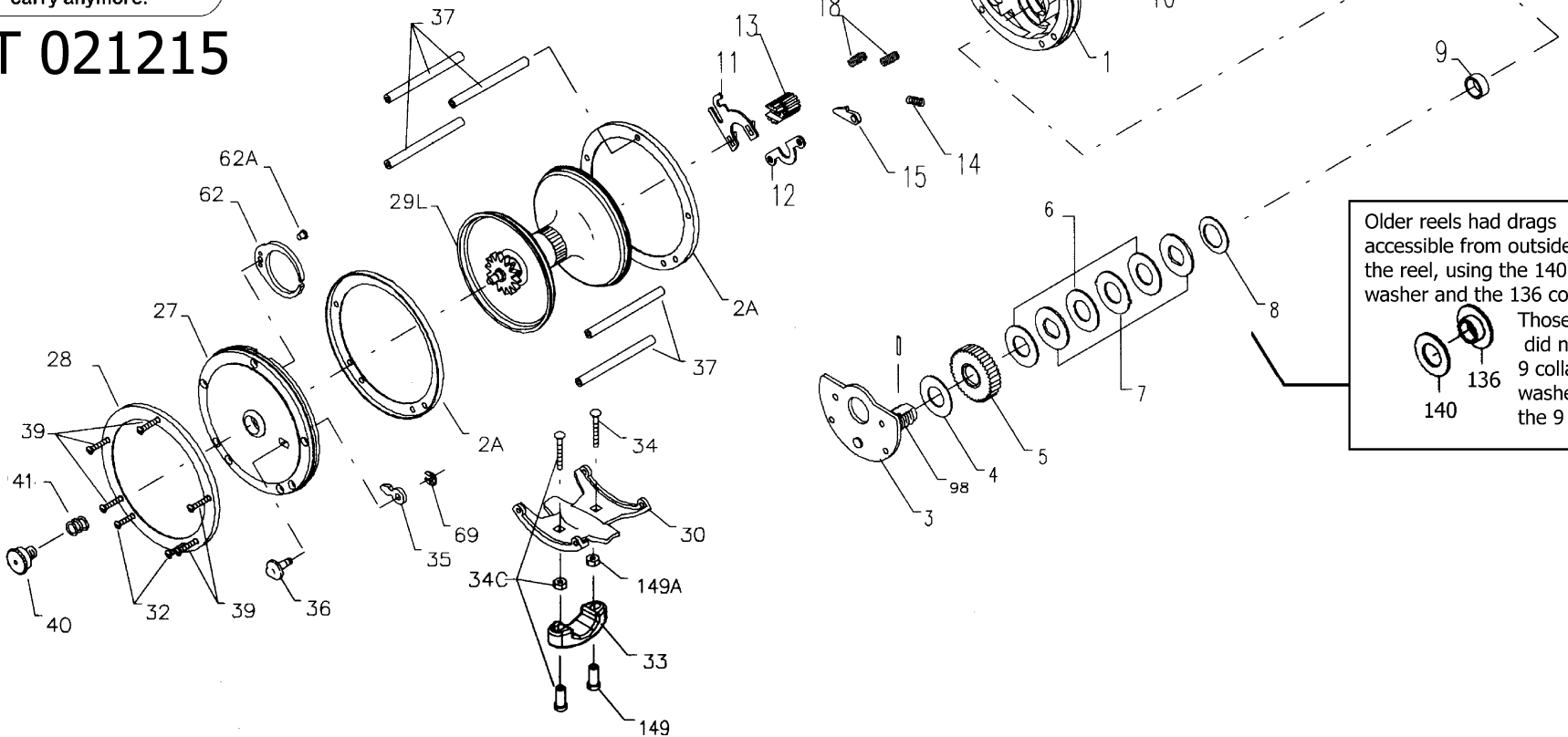
Penn Parts Dept.  
945 Radio Road  
Tuckerton NJ 08087  
(609) 296-1300

No Minimum Order!  
Plus, Parts in stock  
that Penn doesn't  
carry anymore.

**PENN  
REELS**

**3/0 Senator  
112H**

**SBT 021215**



Older reels had drags accessible from outside the reel, using the 140 felt washer and the 136 collar/cap.

Those older reels did not have a 9 collar or the 8A washer between the 9 and the star drag.

140  
136  
9

## Penn Reel Parts list for Model: 112H

KEY NO	PART NO.	DESCRIPTION	KEY NO	PART NO.	DESCRIPTION
1	1-112H	HANDLE SIDE PLATE	24	24-112H	HANDLE
2	2-112H-O	OUTER HANDLE SIDE RING	26	26-155	HANDLE SIDE BEARING
2A	2-112H-I	INNER RING (2 REQUIRED)	27	27-112H	NON-HANDLE SIDE PLATE
3	3-112H	BRIDGE W/ SLEEVE	28	28-112H-O	OUTER NON-HANDLE SIDE RING
4	4-60	FIBER WASHER	29	29L-112H	SPOOL
5	5-500	MAIN GEAR	30	30-66	STAND
6	6-309	DRAG WASHER (3 REQUIRED)	31	39-3	HANDLE SIDE STAND SCREW (2 REQUIRED)
7	7C-500	METAL DRAG WASHER SET (3 REQUIRED)	32	32-17	NON-HANDLE SIDE STAND SCREW (2 REQUIRED)
8	8-60	TENSION SPRING	33	33-113	ROD CLAMP
9	9-60	SPACING SLEEVE	*	33R-200	RINGED ROD CLAMP (OPTIONAL)
10	10-60	STAR DRAG WHEEL	34	34-45	CLAMP SCREW (2 REQUIRED)
11	11-99	ECCENTRIC JACK	34C	34C-45	ROD CLAMP SCREW W/ NUTS
12	12-500	PINION YOKE	35	35-60	CLICK TONGUE
13	13-500	PINION	36	36N-209	CLICK BUTTON
14	14-99	DOG SPRING	37	37-65	FRAME POST (5 REQUIRED)
15	15-309	DOG	38	39-9	HANDLE SIDE SCREW (5 REQUIRED)
16	16-60CH	LOWER BRIDGE SCREW (2 REQUIRED)	39	39-3	NON-HANDLE SIDE SCREW (5 REQUIRED)
17	17-60CH	UPPER BRIDGE SCREW (2 REQUIRED)	40	40-60	NON-HANDLE SIDE BEARING
18	18-60	CLUTCH SPRING (2 REQUIRED)	41 or 40A	41-60	NON-HANDLE SIDE BEARING SPRING
19	19-250	ECCENTRIC	62	62-309	CLICK SPRING
20	20-60L	ECCENTRIC SPRING	62A	63-209	CLICK SPRING SCREW
21	21-49	ECCENTRIC LEVER	69	69B-600	RETAINING RING
22	22-99	ECCENTRIC SCREW	98	98-60	GEAR SLEEVE
23	23-60	HANDLE SCREW	149	149-45	ROD CLAMP NUT (2 REQUIRED)
23A	110-60	HANDLE LOCK SCREW	149A	149-200	HEX NUT (2 REQUIRED)

*\* Not Shown*

NOTE: Many of [www.pennparts.com](http://www.pennparts.com) schematics include changes that were either made by Penn, or errors found and corrected by our parts dept.

SBT Ver 022115

NOTE: These parts were used on the old models where the drag washers were accessible from the outside:

The parts are not available, they are just listed for reference

1-112H Hold Handle Side Plate with outside drag access

140-112H Felt Washer

136-112H Pressure Plate Washer