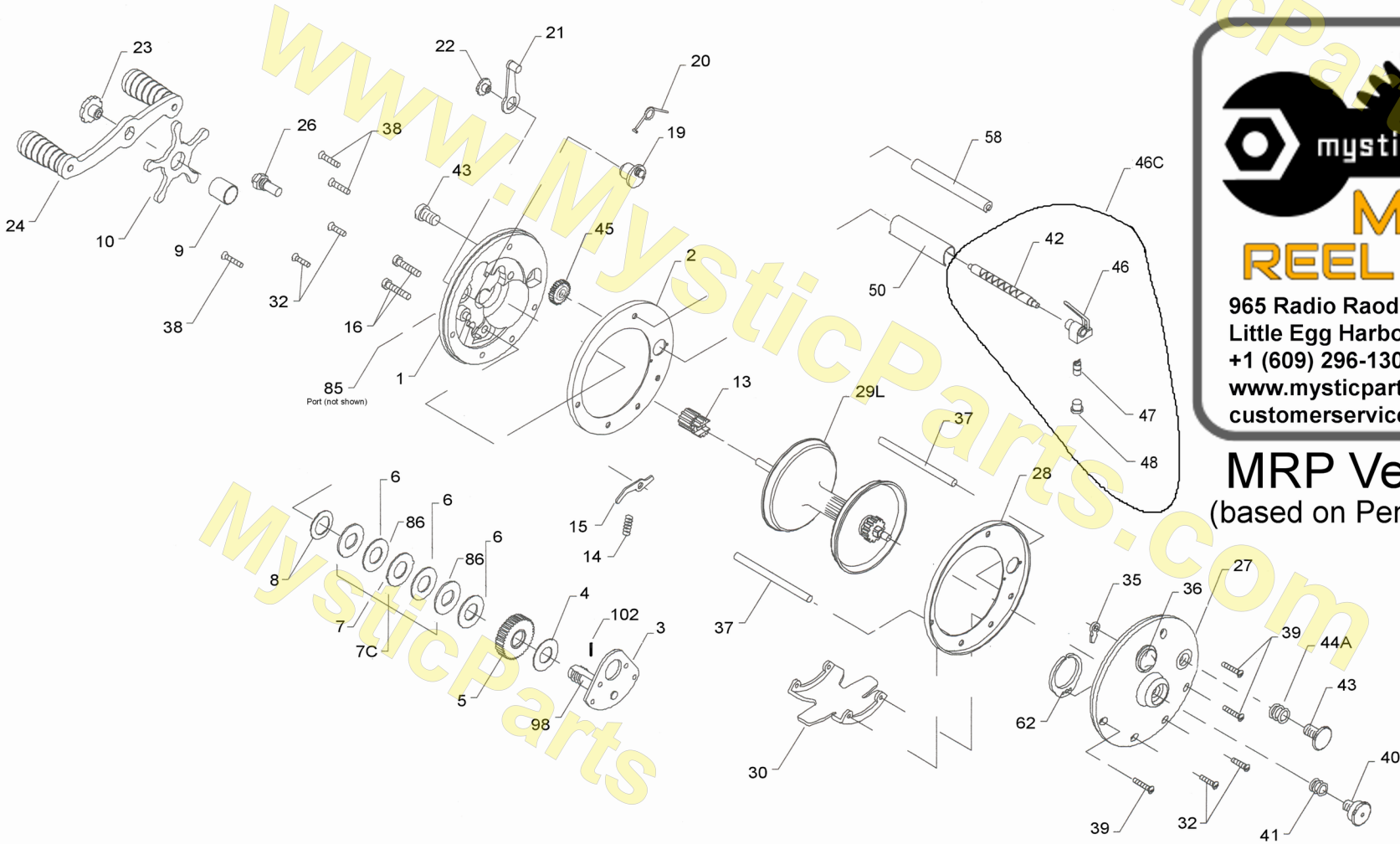




# PARTS AND PRICE LIST FOR MODEL 109-LH aka 109M-LH



mysticparts.com

## MYSTIC REEL PARTS

965 Radio Raod  
Little Egg Harbor, NJ 08087  
+1 (609) 296-1300  
www.mysticparts.com  
customerservice@mysticparts.com

**MRP Ver. 063022**  
(based on Penn's Rev ? 2001)

# PENN SCHEMATIC PARTS LIST FOR 109-LH aka 109M-LH Peerless reel (LEFT HAND)

KEY	PUREFISHING	PART	DESCRIPTION	KEY	PUREFISHING	PART	DESCRIPTION
NO	PART NO	NO.		NO	PART NO	NO.	
1	1180446	1-109LH	HANDLE SIDE PLATE, BLACK (LEFT HAND)	30	<i>See design changes below</i>		
2	<i>See design changes below</i>			31/32	1182706	32-22	STAND SCREW (2 REQ. PER SIDE)
3	1180696	3-109LH	BRIDGE W/ SLEEVE (LEFT HAND)	35	1182919	35-155	CLICK TONGUE
4	1180772	4-155	FIBER WASHER	36	1182988	36-109	CLICK BUTTON (Old Mushroom/Peened in)
5	1180842	5-109LH	MAIN GEAR (LEFT HAND)	37	1183064	37-109	FRAME POST (2 REQ.)
6	1180915	6-155	DRAG WASHER HT100 (USES 3)	38/39	1183177	39-1	POST SCREW (3 REQ. PER SIDE)
6C	1180392	6-155SP	DRAG WASHER KIT 6 PCS	40	1183269	40-109	NON-HANDLE SIDE BEARING
7	1181014	7-155	WASHER, EARRD METAL WASHER (USES 1)	41	1183329	41-109	NON-HANDLE SIDE BEARING SPRING
7	1181047	7C-155	DRAG WASHER (METAL SET)	42	1183345	42-109	WORM
8	1181056	8-60	TENSION WASHER	43	1183375	43-109	HANDLE SIDE WORM BEARING
9	1181143	9-60	SPACING SLEEVE	44	1183469	44N-109	NON-HANDLE SIDE WORM BEARING
10	1181190	10-180LH	STAR DRAG (LEFT HAND)	44A	1183927	57-109	WORM BEARING SPRING
13	1181315	10-180LH	PINION GEAR (LEFT HAND)	45	1183483	45-109LH	WORM GEAR (LEFT HAND)
14	1181394	14-109	DOG SPRING	46		46-109LH	LINE GUIDE (LEFT HAND)
15	1181434	15-109	DOG	47	1183614	47-109	PAWL
16	1181565	16-60CH	LOWER BRIDGE SCREW (2 REQ.)	48	1183699	48-109	PAWL COVER
19	1181660	19-109LH	ECCENTRIC (LEFT HAND)	50	1183752	50-109	WORM SHEILD
20	1181764	20-109	ECCENTRIC SPRING	58	1183948	58-109	SLOTTED POST
21	1181843	21-109	ECCENTRIC LEVER	62	N/A	62-155	CLICK SPRING (PART OF PLATE NOT REPLACEABLE)
22	1181912	22-109	ECCENTRIC SCREW	85	N/A	85-109	OIL PORT SIDE PLATE INSERT
23	1181948	23-180	HANDLE SCREW	86	1184259	86-155	WASHER, ROUND KEYED METAL DRAG WASHER (USES 2)
24	<i>See design changes below</i>			98	1184341	98-155LH	GEAR SLEEVE (LEFT HAND)
26	1182115	26-109	HANDLE SIDE BEARING	102	1184408	102-60	GEAR SLEEVE PIN
27	1182188	27-109LH	NON-HANDLE SIDE PLATE (LEFT HAND)				
28	1182367	28-109	NON-HANDLE SIDE RING				
29L	1182505	29L-109	SPOOL, ALUMINUM (BLACK)				
29m	N/A	29M-109	SPOOL, METAL (CHROME OVER BRONZE)				

### MYSTIC REEL PARTS REVISION!

NOTE: Many of www.mysticparts.com schematics include changes that were either made by Penn, or errors found and corrected by our parts dept.  
MRP Ver 063022 (based on Penn's Rev. #? 2021)

## DESIGN CHANGES AND OTHER NOTES

KEY	PUREFISHING	PART	DESCRIPTION
NO	PART NO	NO.	
2	N/A	2-109	HANDLE SIDE RING, (CHROME OVER BRONZE)
	1180607	2N-109	HANDLE SIDE RING (STAINLESS STEEL MATTE)
30	1182647	30N-9	STAND, MODERN (2 7/16")
		30-109F	STAND, FRESHWATER SHORTER VERSION 1940'S (2 3/8")
		30-109S	STAND, SALTWATER SHORTER VERSION 1940'S (2 11/16")

There is NO info on a compatible stand that uses a clamp

24 1181996 24-109 HANDLE, DUAL KNOBS

This handle does NOT use a locking screw  
if you change to a different compatible  
handle, rememober to order the 110-60 screw

### THESE PARTS DO NOT EXIST IN THE 109 LIKE IN THE OTHER PEER, PEERLESS MODELS

KEY	PART	DESCRIPTION
NO	NO.	
11		ECCENTRIC JACK
12		PINION YOKE
17		UPPER BRIDGE SCREW (2 REQ.)
18		CLUTCH SPRING
23A aka 110		HANDLE LOCK SCREW (not used on the 24-109 handle)
40A		CAP FOR THE NON-HANDLE SIDE BEARING - CAP ONLY
55		SPOOL BEARING
63		CLICK SPRING SCREW
64		IDLER GEAR
65		IDLER GEAR SCREW
66		LEVEL WIND DRIVE GEAR
67		DRIVE GEAR LCOK SPRING

9, 10, 209, 309 sizes have the above parts

The 109 reel DOES NOT. We believe this reel came out first.  
The levelwind gear key #45 is on the HANDLE side in the 109  
and is driven by interacting with the #13 pinion gear.