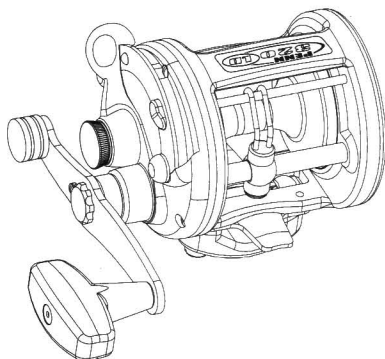




PENN®

320 LD

330 LD



GRAPHITE LEVER DRAG SUPER LEVEL WIND REELS

INSTRUCTION MANUAL

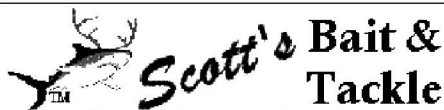
PENN FISHING TACKLE MFG. CO.
MADE IN U.S.A.

PENN FISHING TACKLE MFG. CO.
Factory Service Department
3028 West Hunting Park Avenue
PHILADELPHIA, PA 19132-1121, U.S.A.
Phone: (215) 229-9415 Fax: (215) 223-3017
www.pennreels.com



02/19/03

www.PENNparts.com



Penn Parts Dept.
945 Radio Road
Tuckerton NJ 08087
(609) 296-1300

No Minimum Order!
Plus, Parts in stock
that Penn doesn't
carry anymore.

HOW TO ORDER PENN REEL PARTS PENN FISHING TACKLE MFG. CO.

1. By mail, please list model for which you are buying parts and order parts by name and number.
2. Include your legible, printed name, address and daytime telephone number with your order.
3. Penn will then send you an invoice, showing part prices plus shipping and handling charges.
4. There is a minimum part order of \$2.00 and a shipping and handling charge of \$3.00 on a minimum order.
5. Upon receipt of your payment (check or money order only), your order will be shipped via parcel post or U.P.S.
6. For faster service, you may also use your major credit card to mail in parts orders. Specify card, account number and expiration date when ordering parts. Be sure to include information requested in Steps 1 & 2.
7. You may also use your major credit card to place parts orders over the telephone. Call the Penn Parts Department at (215) 229-9415 between 8:30 am and 4:30 pm U.S. East Coast time.
8. For fastest service, see your local Penn dealer. Check telephone directory or Penn web site (www.pennreels.com) for dealer nearest you.

Congratulations on the purchase of your new LD series reel, Penn's newest generation of graphite lever drag reels. These reels combine all of the latest manufacturing techniques with Penn's old world commitment to making the highest quality fishing reels. Built with pride in the U.S.A., these lightweight, tournament-style lever drag reels are perfect for a number of inshore and offshore fishing conditions. To get the most out of your new LD reel, take a few minutes to read over this manual and hold onto it for future reference. Good Fishing!

QUALITY FEATURES

One Piece Graphite Frame. Graphite composite construction creates a unified frame that is not only light, but also incredibly strong. Precision one piece design makes for perfect spool alignment. Reinforced graphite right side plate. Stainless steel side plate ring adds strength as well as a touch of elegance.

Stainless Steel Level Wind. Penn's stainless steel positive level wind device evenly spools line on reel for repeated carefree fishing. Line pays out evenly when free spooling. Positive level wind lets you concentrate more on the job at hand: fishing!

HT-100™ Drag System. At the heart of the LD drag is a large HT-100™ friction washer, for smooth, trouble-free performance. Even though an internal shield protects the HT-100™ washers from contaminants, this revolutionary material has been proven to work well under all kinds of adverse conditions. HT-100™ resists contaminants, lasts long and maintains a wide range of smooth settings.

Proven Penn Gearing. A stainless steel main gear and a stainless steel pinion gear, both precision machined, combine to create the strong gearing system needed in a levelwind, lever drag reel. The 4.3-1 gear ratio creates the ideal blend of speed and power.

Four Stainless Steel Ball Bearings. For unparalleled smoothness in casting, reeling and battling oversized gamefish, nothing beats precision stainless steel ball bearings. Penn includes four sealed stainless steel ball bearings for the ultimate in overall reel performance.

Aluminum Spool. An anodized aluminum spool is both lightweight and strong to withstand the tremendous pressures of light tackle angling for game fish. Aluminum keeps the spool's weight light for casting and easy free spooling, and anodizing protects the finish for season after season of hard fishing.

Sturdy Handle. A counterbalanced soft grip is great for working lures back at incredibly high speeds. Soft grip handle provides a secure grip, even if hands are wet and slimy.

Other Quality Features. Stainless steel reel stand, molded graphite one piece rod clamp allows extra measure of strength and security of reel to rod.

Pre-set Drag Control. Working in conjunction with the drag lever, the pre-set keeps your drag setting within safe limits. Turn in (clockwise) for more drag, out (counterclockwise) for less pressure. Set pre-set to desired line tension with drag lever at strike button. When adjusting the pre-set knob, always pull back the drag lever to the "free" position to eliminate any strain on internal components and to ensure accurate drag settings. For the most accurate drag settings, be sure to use a good quality spring scale.

Lever Drag. A 120° arc quadrant lever drag provides a wide range of various drag pressures, from no drag pressure in the "free" position, to a fighting range in the "strike" position, to a maximum setting in the "full" position, provided you are using the recommended line.

The drag lever is in the "free" spool position when it is moved completely to the rear stop – the stop closest to the fisherman. The lever is in the "strike" position when you push the lever forward up to the "strike" button. To apply the maximum drag pressure, push the strike button in and advance the lever to "full" at the extreme forward stop. If you need to instantly shift the lever back down to the "strike" position or below, there's no need to push the "strike" button; the lever will automatically ride over the button.

The reason you must push the "strike" button when advancing the lever past the "strike" position is a safety precaution. When getting ready to strike and set the hook on a fish, you should advance the lever to "strike." The button provides a secure, positive stop so that you can instantly advance the lever to strike and fight your fish with confidence. If you advance the drag lever to "full," having to first depress the "strike" button serves as a reminder to use the "full" position with caution. Of course, if you have to back the drag lever off in a hurry, you can do so without having to depress the "strike" button.

Pull the drag lever all the way back to the "free" position when storing your LD reel. This will relieve any pressure on springs and other internal components. Putting the warning clicker on will prevent line from slipping off the spool easily while your reel is in storage.

The LD series reels contain a special lever drag operating feature, which will help prevent you from accidentally going into free spool when reducing the drag against a fish. As you pull the lever close to free spool, you will feel a resistance on the lever, which is normal. This is your reminder that your drag setting is low and that you are approaching free spool. To go completely into free spool, it is necessary to overcome this resistance and pull the lever all the way back to the "free" position. **WARNING:** Do not attempt to cast when the reel has any drag (make sure you are in free spool). Attempting to cast with any drag may cause your hook, lure or sinker to fly back and cause injury.

Penn Warning Clicker System. Push down for warning clicker to sound when line is going out, push up to disengage warning clicker. The warning clicker should be used only as a warning device, not as a drag or anti-backlash device; premature wear may result if the warning clicker is abused.

MODEL	LINE CAP. MONO		GEAR RATIO	WEIGHT
	YDS/LB			
	METERS/MM			
320LD	320/20	4.3-1	21	600
		295/0.45		

NOTE: The super braided lines, with extremely thin diameters for their breaking strength, can dramatically increase the capacity of the LD series reels or any other reels. Check with your local Penn dealer, and above all, use common sense when fishing with these lines to avoid any possible warranty problems.

HOW TO USE YOUR LD REEL

Pre-Setting the Drag. Your drag should start to slip when the line reaches 1/4 to 1/3 the pressure required to break the line. This builds in a good "safety margin" to allow for a number of possible conditions (nicks or frayed line, improperly tied knots, depletion of line on the spool, etc...).

Mount your LD reel on a rod (Penn manufactures a number of rods to match the LD series) and be sure to install the rod clamp. Spool it with good quality line. Use a good quality spring scale to obtain the proper strike setting.

Use the LD Drag Settings chart and work toward getting the proper strike setting when the lever is advanced up to the "strike" button. After you reach the proper strike setting, your full setting should automatically be somewhere within the range indicated on the chart.

Setting the drag to the proper strike setting is a trial-and-error-process. For instance, if you're using the recommended 20 lb. test line on a 320LD, your drag should start to slip at 5-7 lbs. of pressure on the spring scale, when the drag lever is up to the strike position. Hold your rod about 60° high (to simulate actual fish-fighting conditions) when pre-setting the drag.

An important note: before you turn your pre-set knob, during the trial-and-error process of pre-setting the drag, always back the drag lever off into the "free" position. In fact, any time you turn the pre-set knob, make sure your drag lever is in the "free" position. This small but important precaution assures the most accurate drag settings and eliminates any unnecessary strain on internal components.

MODEL	LB. TEST LINE	STRIKE SETTING	FULL SETTING
320LD	20	5-7 lb.	10-12 lb.

Using the Drag Lever. Once your drag is pre-set, you can use the drag lever just like an automobile brake. The higher you push the lever, the more drag pressure you apply. The beauty of a pre-set/lever drag reel is that you always know just about how much drag pressure you are applying. After your drag is pre-set, you know that when you push the lever up to the "strike" setting, you are at the ideal fighting pressure. When you pull the drag lever back to "free," there's no drag pressure and when you need extra drag pressure, you can push the lever all the way past the strike button to "full."

Use the full position on the drag lever conservatively, like a reserve, when you really need to apply extra pressure. Appropriate times to use the full setting are at the beginning of the run of a big fish, or at the end of a fight if you're up to an extra heavy or double-line leader. Never push the drag lever into full when your spool is more than one-third empty; as a spool is being depleted, there is actually more drag pressure on the line than when the spool is full.

Some Lever Drag Tips. Your local Penn dealer can fill your reel properly with the correct line for your type of fishing. Keep your reel filled with good quality line. Recommended "strike" and "full" settings are calculated on the condition that the spool is filled with line to approximately 1/8" below the shoulder of the spool flange.

Wrap the end of the line around the spool arbor and anchor it securely by tying a good knot. A slip knot or even a couple of overhand knots will do the job and ensure that the line does not slip on the spool. When winding line on, pack the spool hard by applying tension.

On your way out to the fishing grounds, keep the reel under cover instead of leaving the rod/reel in a rod holder. Spray from a moving boat can drive water into the innards of a reel with the same force as a high pressure hose. When you've reached the fishing grounds, that's the time to pull the rods/reels out. And remember to stow them again for the trip back.

Periodically check your drag settings with a spring scale, especially after a big fish or two. While Penn's HT-100 drag washers wear well, you should take full advantage of the accuracy of the lever drag system by confirming your drag settings often. That will help give you added confidence in your gear when that extra large fish bores for the bottom.

Your Penn reel is quality manufactured for maximum durability, but like any precision instrument, reasonable care will ensure its best performance through many seasons.

After each fishing trip, the reel should be cleaned. After fishing in salt water, wipe or wash the reel with fresh water, preferably warm, to remove any accumulated salt deposits.

Should you wash the reel, be careful not to use a driving force of water, since this will force the salt deposits into the reel's internal mechanisms. Rather, use a very fine spray to dissolve the salt on the external parts of the reel.

Dry excess moisture from the reel, and then, sparingly, lubricate all exposed areas. Many fishermen use a pressurized spray oil for quick, easy protection after washing or wiping down their reels. Try not to get any oil on the fishing line, but should any excess spray oil get on your line, it will do no harm if you wipe the excess off. Other fishermen will apply a light coating of oil with a rag to the exposed metal parts on the reel for protection against the elements.

Your reel should be stored in a cool, dry place. Do not store in a plastic bag, as condensation may develop and damage the reel.

Periodically examine your reel and tighten loose screws and fittings. Depending upon use, your reel should be overhauled at least once every season.

Frequently lubricate all external frictional points. For best results, use Penn's reel lube and grease. Remember, only a few drops or dabs are sufficient in most cases. Do not over lubricate!

For a more thorough, internal lubrication and/or overhaul of your Penn reel, carefully break the reel down using the exploded view as a guide. Penn recommends doing this only if you are already familiar with working on reels or other precision-oriented instruments. If not, your best action would be take your reel to a Penn dealer for service, or send it to the Penn factory for servicing.

PENN SERVICE & PARTS PROCEDURE

Unlike many import companies, Penn prides itself in providing fast and excellent service at reasonable prices. This is possible because most Penn products are made in the U.S.A. and Penn maintains a policy of designing models to maximize Product and part continuity. Penn does not change Products solely for the sake of change, but only when the change results in an improved Product.

Many Penn Products have been in service for 50 years or more. Our customers marvel at their ability to easily obtain replacement parts to keep those models in service.

For the fastest repair service and spare parts, we suggest you contact your local Penn dealer. You may also return you Penn Product for factory service to one of the Penn Warranty Centers. Outside of the U.S.A., please contact the Penn distributor in your country to return your Penn Product. Send it insured and include a short note describing the service you want. To avoid errors, make sure that your name and return address appear neatly and clearly on both your outside package and your note. Allow sufficient and reasonable time for Penn to receive and service your Product. Avoid our spring rush by sending your Penn Products in for service and repair during our fall or early winter.

Penn will notify you that your Product has been serviced, providing a reasonable charge for parts, labor and return postage, or you can request major credit card payment. Provide card type, name on card, card number, expiration date and daytime telephone number when paying by credit card.