

www.PENNparts.com

Order Parts Online! ~ We ship to entire USA and some international locations

For non-warranty service to your PENN reel, simply return the reel with a brief note describing the service you want performed. Available on the PENN website (www.pennreels.com) is a repair form that we suggest is completed and returned with each reel for more efficient processing. PENN strives to complete all repairs in a timely manner. PENN will not initiate service until a means of payment is arranged. Accepted means of payment include only the following credit cards: Mastercard, Visa, American Express, and Discover. COD, personal checks, or cash are not accepted. Please visit our website www.pennreels.com for warranty information

Congratulations on the purchase of your new PENN Fathom reel. Each PENN Fathom reel is constructed using only the highest quality components, tapping into PENN's 75-plus years of reel building experience. Some features found on the PENN Fathom Reels are highlighted throughout this manual. Also found in this manual are tips for basic maintenance and upkeep of your new fishing reel. On behalf of the entire company, PENN Fishing Tackle would like to thank you for the purchase of our quality fishing reel.

WARRANTY AND NON-WARRANTY SERVICE

INTRODUCTION

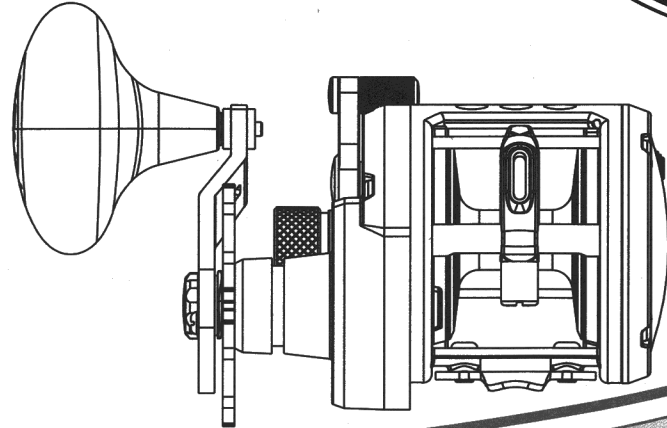
PENN Fishing Tackle Mfg. Co.,
Philadelphia, PA U.S.A.
www.pennreels.com
406-FTHLW-rev0
01/2010

HOW TO ORDER PENN REEL PARTS

1. Call the PENN Parts Department at (800) 892-5444 between 8:30 am and 4:30 pm U.S. East Coast time to order your PENN Parts over the telephone. Accepted means of payment include only the following credit cards: Mastercard, Visa, American Express, and Discover. COD, personal checks, or cash are not accepted.
2. PENN Parts may also be ordered through PENN's local dealer network. Check your telephone directory for a PENN Dealer near you, or visit PENN's website at www.pennreels.com to locate a nearby dealer.

PENN Fishing Tackle Mfg. Co. reserves the right to discontinue models and make changes in design specifications without notice. PENN's policy of ongoing research may necessitate design changes for Product performance improvement.

FATHOM™ LEVEL WIND REELS



STAR DRAG FEATURES

One-Piece Frame. Aluminum construction creates a unified frame that is not only light, but incredibly strong. Precision one piece design makes for perfect spool alignment.

Level Wind. PENN's level wind device evenly spools line on reel for repeated, carefree fishing. Line pays out evenly when free spooling.

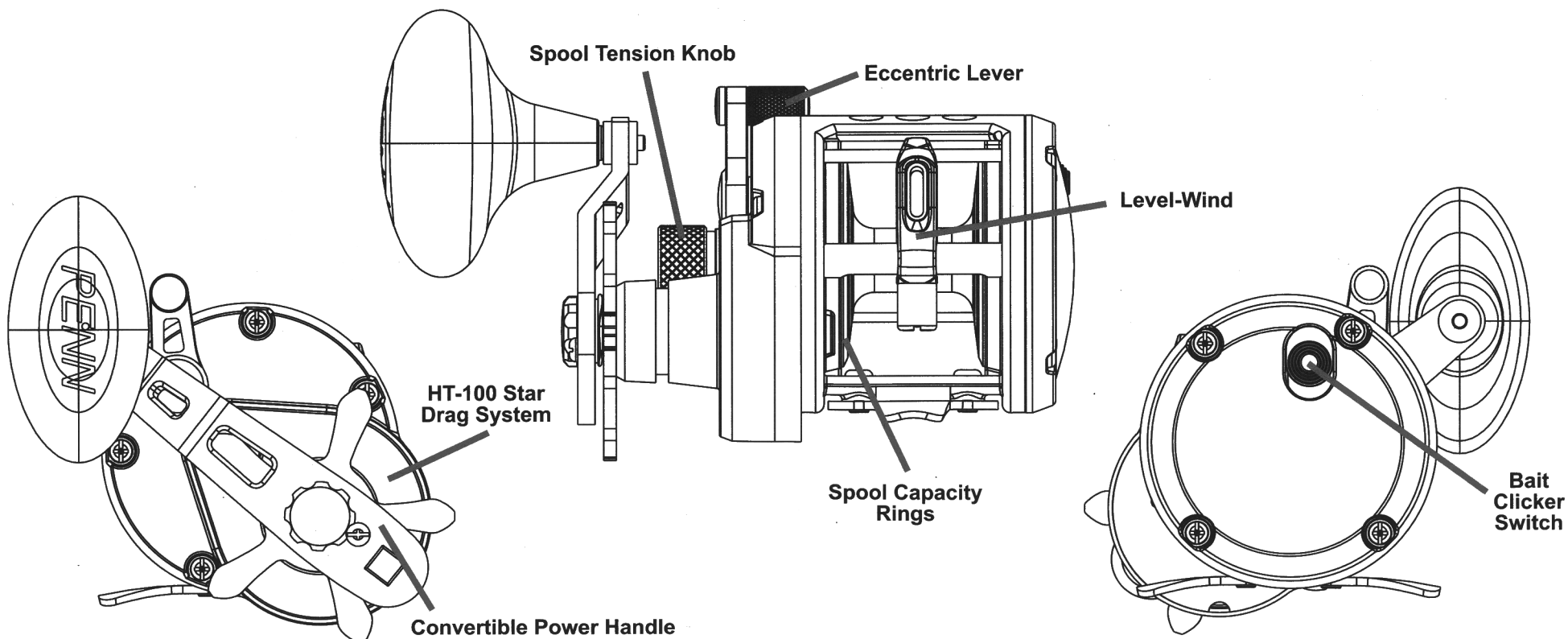
Gearing. Precision machined Marine Grade Brass Main Gear and Stainless Steel pinion gear create an incredibly strong gearing system built for years of service and performance.

Stainless Steel Ball Bearings. For unparalleled smoothness in casting, reeling and battling oversized gamefish, nothing beats precision stainless steel ball bearings.

Aluminum Spool. The aluminum spool is lightweight and strong, and the anodized finish provides the ultimate in corrosion resistance for season after season of hard fishing. 3 Rings denote 1/3, 2/3 and Full Line Capacities.

Handle. The Soft-Grip handle provides a secure grip, even when hands are wet. Convertible for extended or compact lengths.

Other Quality Features. Stainless steel reel stand and a molded-graphite, one-piece rod clamp combine for an extra measure of strength and security of joining reel to rod.



CARE AND LUBRICATION

Your PENN Reel is quality manufactured for maximum durability. Like any other precision-made piece of equipment, reasonable care will ensure peak performance and longevity.

After each fishing trip, the reel should be cleaned with a soap solution and fresh water, preferably warm, to remove any accumulated salt deposits.

When washing the reel, use caution not to use a driving force of water, since the water pressure will force salt deposits and/or sand into the reel. A very fine spray will help dissolve the salt on the external parts of the reel and rinse from the reel.

Dry excess moisture from the reel and then sparingly lubricate all exposed areas. A good practice is to spray a rag with a pressurized spray lubricant and wipe down the reels with the rag. Your reel should be stored in a cool, dry place. Do not store in a plastic bag, as condensation may develop.

Periodically examine your reel and tighten loose screws and fittings. Depending upon use, your reel should be overhauled at least once every season.

Frictional points in the reel should be frequently lubricated, and for best results use PENN lubricant. PENN's lube is the right formula, designed specifically for PENN Reels. Keep in mind, that a few drops of oil is usually sufficient.

Major points for external lubrication include: Handle knob, eccentric lever, clicker button, and level wind.