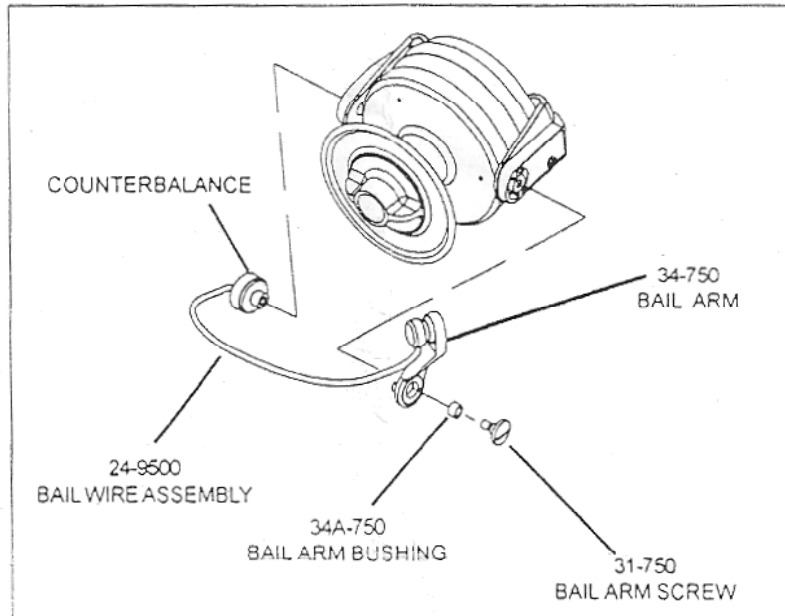


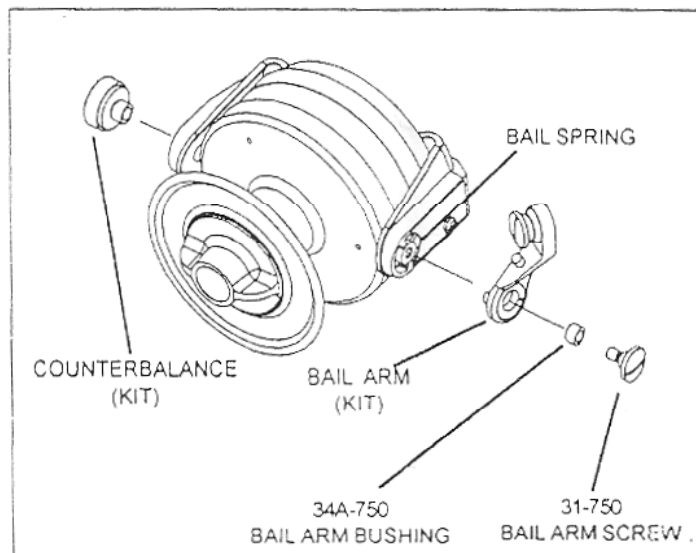
# Spinfisher MANUAL CONVERSION KIT

FITS MODEL: 9500SS

Remove the bail wire assembly (24-9500) by unscrewing the counterbalance and bail arm screw (31-750) from the bail arm (34-750). While disassembling, note position of the bail arm screw and its bushing (34A-750). Those parts are used with the manual pickup system.



After unscrewing the counterbalance attached to the bail wire, attach the counterbalance included in the kit. Now attach the kit's manual pickup bail arm using the reel's bail arm screw and bushing. Be sure to insert the tag end of the bail spring into the hole of the bail arm. Also be sure the screw and bail arm bushing are in their proper places. If in doubt, consult your owner's manual.



*Remember to save your full bail wire should you ever decide to use the original system again.*