

Penn Reels

89 B

INSTRUCTION & PARTS MANUAL



**SPECIFICATIONS ON HOW TO REPAIR
AND SERVICE YOUR PENN REEL**

PENN FISHING TACKLE MFG. CO., 3028 W. HUNTING PARK AVE., PHILA., PA 19132 MADE IN U.S.A.

Contents

Introduction	2
Operating Features	3
How to Install Components	5
Senator®	8
Senator®	8
Mariner®	12
Long Beach®	13
Levelwind	14
Squidder®	17
Jigmaster®	18
Beachmaster and Surfmaster®	19
Light Tackle and Bay Reels	20
Wrenches, Handles, Lubes, Clamps	21
HT100® Drag System	22
Service Information	24
Parts List	25
Care and Lubrication	32
Warranty	32

INTRODUCTION

Congratulations on the purchase of your new Penn reel. We commend your decision in choosing a Penn product, because we believe Penn Reels represent a combination of high quality and value that is indeed rare in today's marketplace.

Penn reels contain the highest quality materials, and each Penn product is painstakingly built by master craftsmen with the attention to detail required by today's discerning fishermen.

Penn's been making fishing tackle for well over 50 years. We are the undisputed leader when it comes to fishing reels, whether you're talking fresh or salt water models. Penn products are the standards by which others are judged, not just in this country or in a particular region, but all throughout this great angling world.

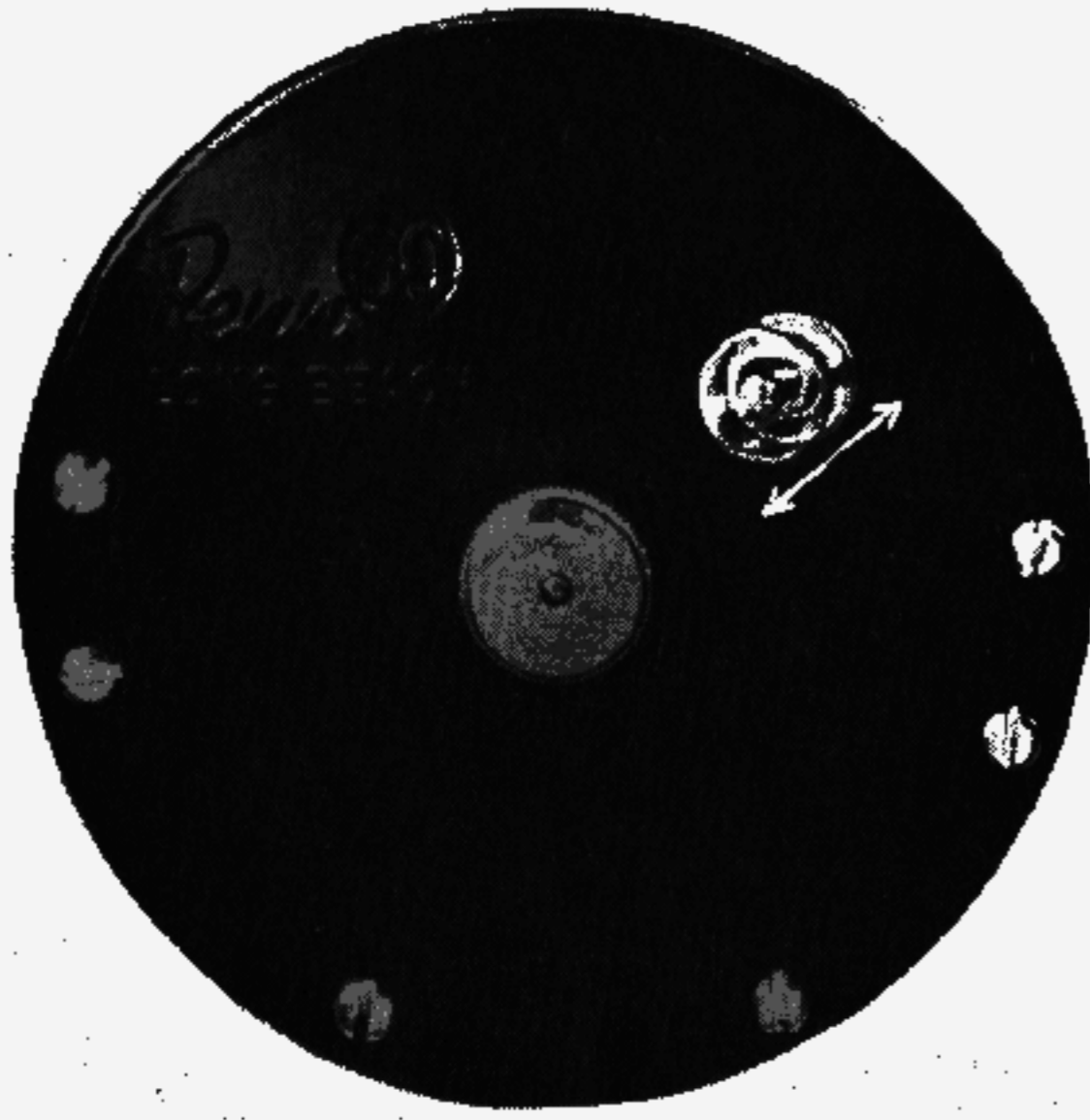
The management and staff of Penn are all fiercely proud of their products and their company. We're proud of your confidence in our fine products, too, and we're sure that our reels will provide years of good fishing, season after season.

We suggest that you review this manual for information on Penn's conventional reel selection; operational features; accessories; plus parts and service information. There are many tips which will make use of this reel easier and in turn make your fishing trips more enjoyable.

Welcome into the fine family of fishermen who are proud that they own the very best—Penn!



THE CLICK RATCHET



The click ratchet control button is located off center on the left end plate of all Penn reels. It acts as a signalling device, after you have cast your line into the surf, for example, and placed your rod in a sand spike. It signals that line is moving out from the reel while the rod is unmanned.

To operate, push click button toward center of the plate with the free spool lever in "ON" position. Turning the reel handle forward will give a clicking sound. When a fish strikes, the warning sound will tell you to pick up the rod at once. To stop the warning sound, push the click button back away from center of the plate.

The click ratchet is also used to prevent the reel spool from turning and releasing line while carrying the rod from one place to another. NOTE: Never use the click ratchet as a drag while playing a fish, or as an anti-backlash device. Such usage will wear out the click in a relatively short time.

OPTIONAL ANTI-REVERSE LEVER

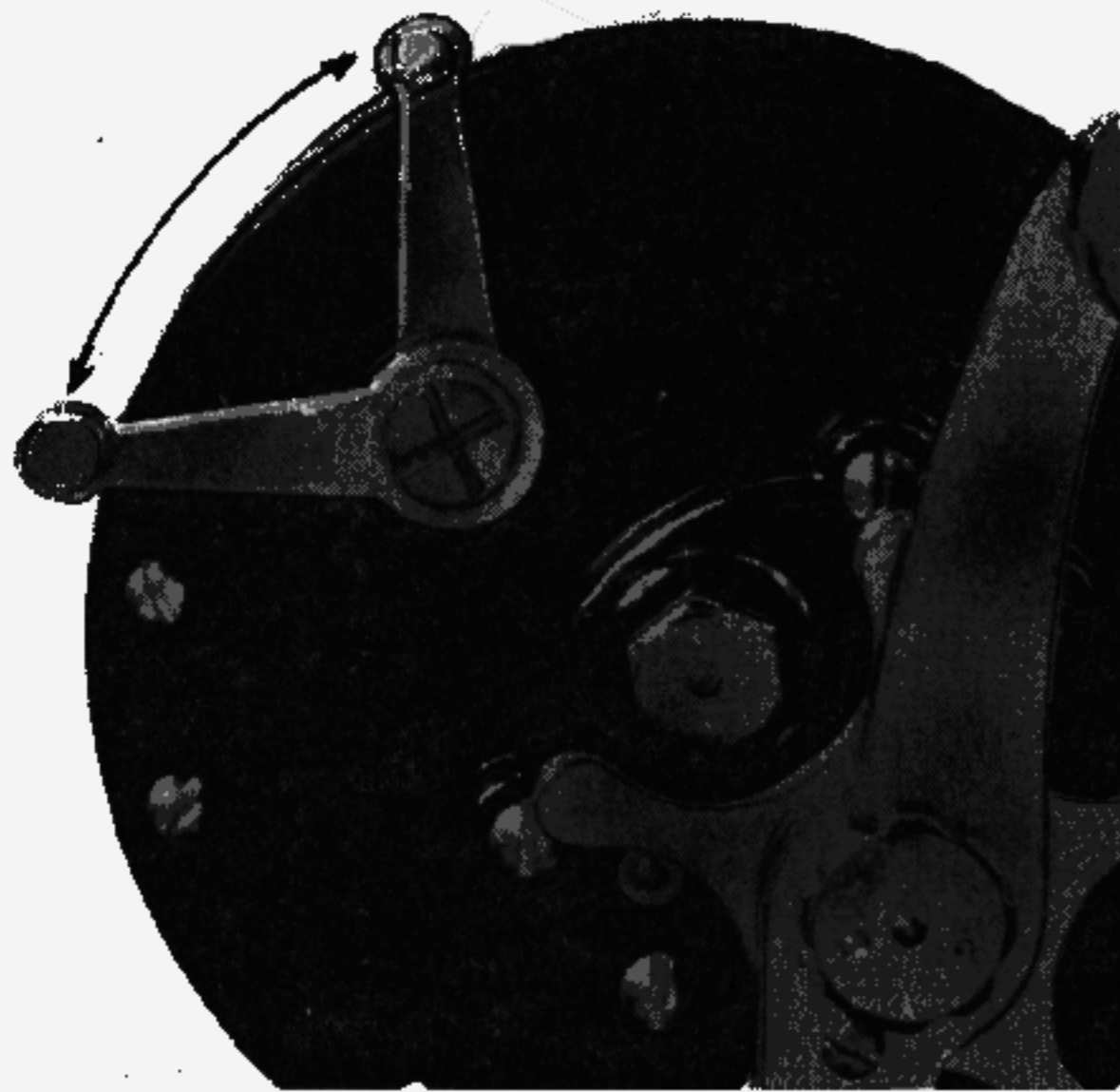


This device permits the disengagement of the anti-reverse mechanism of the star drag, thereby allowing the handle to turn in either direction, forward and backward, with the gear train in full operation.

The several advantages of this feature are as follows: Many surf anglers prefer to make their strike and set the hook by direct feel of the line. This can be accomplished by setting the free spool lever to the "OFF" position and the optional anti-reverse lever to the "ON" position before casting. When the cast is completed, set the free spool lever to the "ON" position and the anti-reverse lever to the "OFF" position, which will enable you to feel the slightest touch on your bait through the vibration of the line. When the strike is completed, set the anti-reverse lever to the "ON" position and you are now ready to play the fish with the drag of your reel.

When trolling for Salmon, etc., when you want the fish to run with the lure or bait before setting the hook, the optional anti-reverse device will prove of real benefit. Preset the drag to the desired tension and place the free spool lever to the "ON" position and the optional anti-reverse to the "OFF" position. Pay out line to a desired distance. When a fish strikes, allow the fish to run with the bait by counting off the desired number of seconds. Flip the optional drag lever to the "ON" position, thus automatically setting the hook, and play the fish against the drag in a normal manner.

3



THE FREE SPOOL CLUTCH

The small lever attached to the right side plate (handle side) of your reel and extending out to the edge of the plate itself is the "free spool" lever. It enables you to "shift gears," to engage or disengage the spool. When disengaged, the spool can revolve and pay out line, as in casting, while the handle of the reel remains stationary. When the lever is moved to the opposite position, the spool is engaged and is in the retrieving position. It will retrieve line and permit the star drag to perform its function. There is no danger of stripping gears because these are always in mesh.

Always shift to free spool for casting. You can retrieve line only when the clutch is engaged. A little experimenting will quickly teach you the correct shifting motion for your particular Penn Reel model.

4 Reel model.

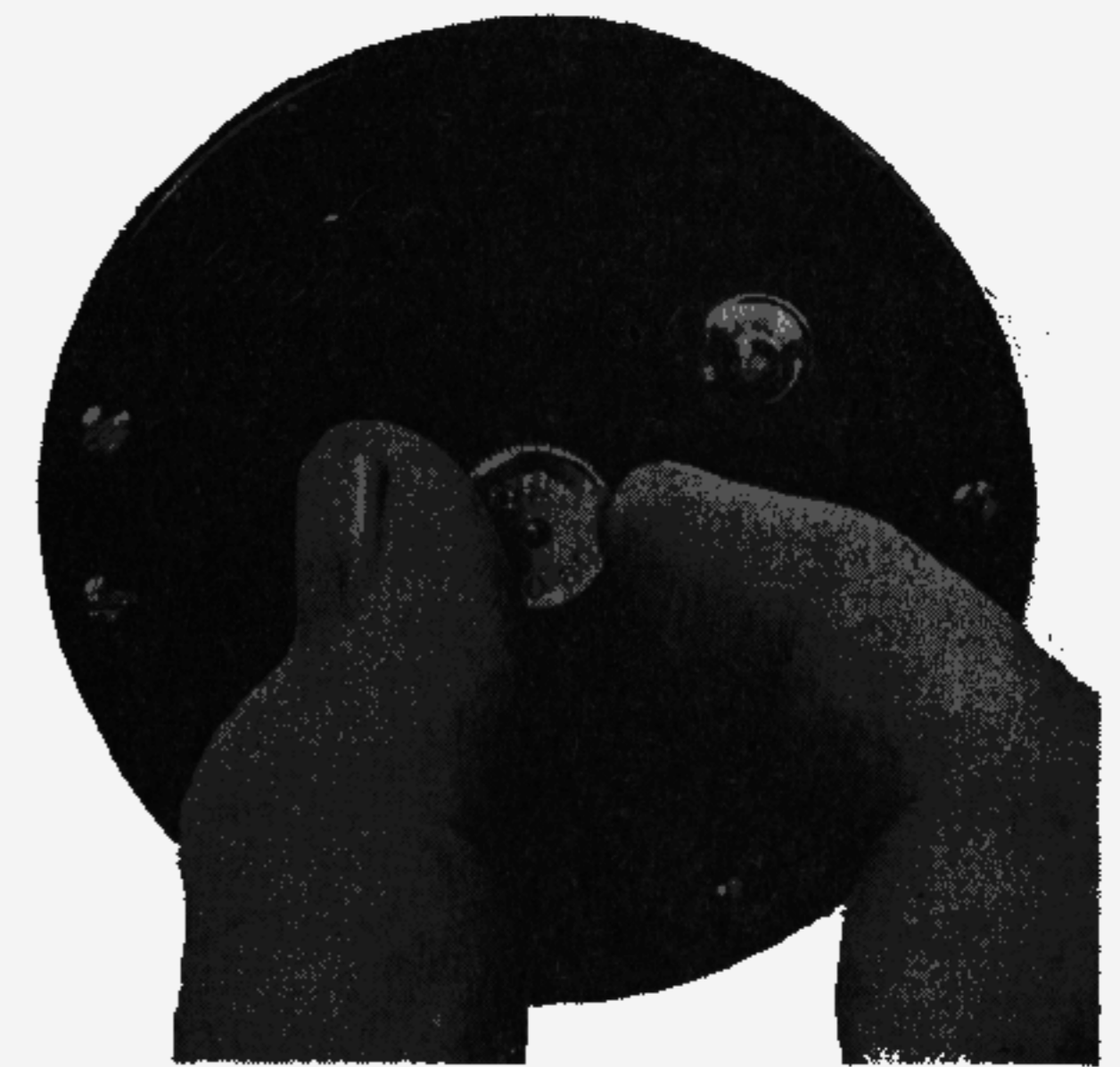
THE STAR DRAG

The star drag is one of the key features in a salt water fishing reel. It enables an angler to tire out a big-game fish so that it may be gaffed or beached with far less effort.

The star drag is controlled by a star wheel located under the handle on the right side end plate of the reel. This device applies a frictional drag to the spool which may be adjusted to any desired pressure while playing a fighting fish. To properly set the drag before fishing, first flip the free spool lever to the "ON" position. The reel handle will now only revolve in the winding-in direction. Turn the star wheel counterclockwise (toward you) until the drag pressure on the spool is almost free. Test drag by pulling on line coming down from the reel. Turn the star wheel slowly forward (clockwise), testing the drag tension after each turn of the star wheel until you feel the drag is sufficient to bring in a small fish without slipping. Make sure the drag tension is less than the breaking strain of the line.

When a small fish strikes and cannot take out line against the preset drag tension, just bring in the fish without adjustment to the star drag. However, when a fish starts to run and takes out line from the spool, turn the star wheel forward slowly until you set the drag tension at a point strong enough to slow down the fish. Be careful not to apply more tension than the breaking strain of your line.

Always be sure to preset the drag to a medium tension after each catch.



ADJUSTING LEFT SIDE BEARING CAP

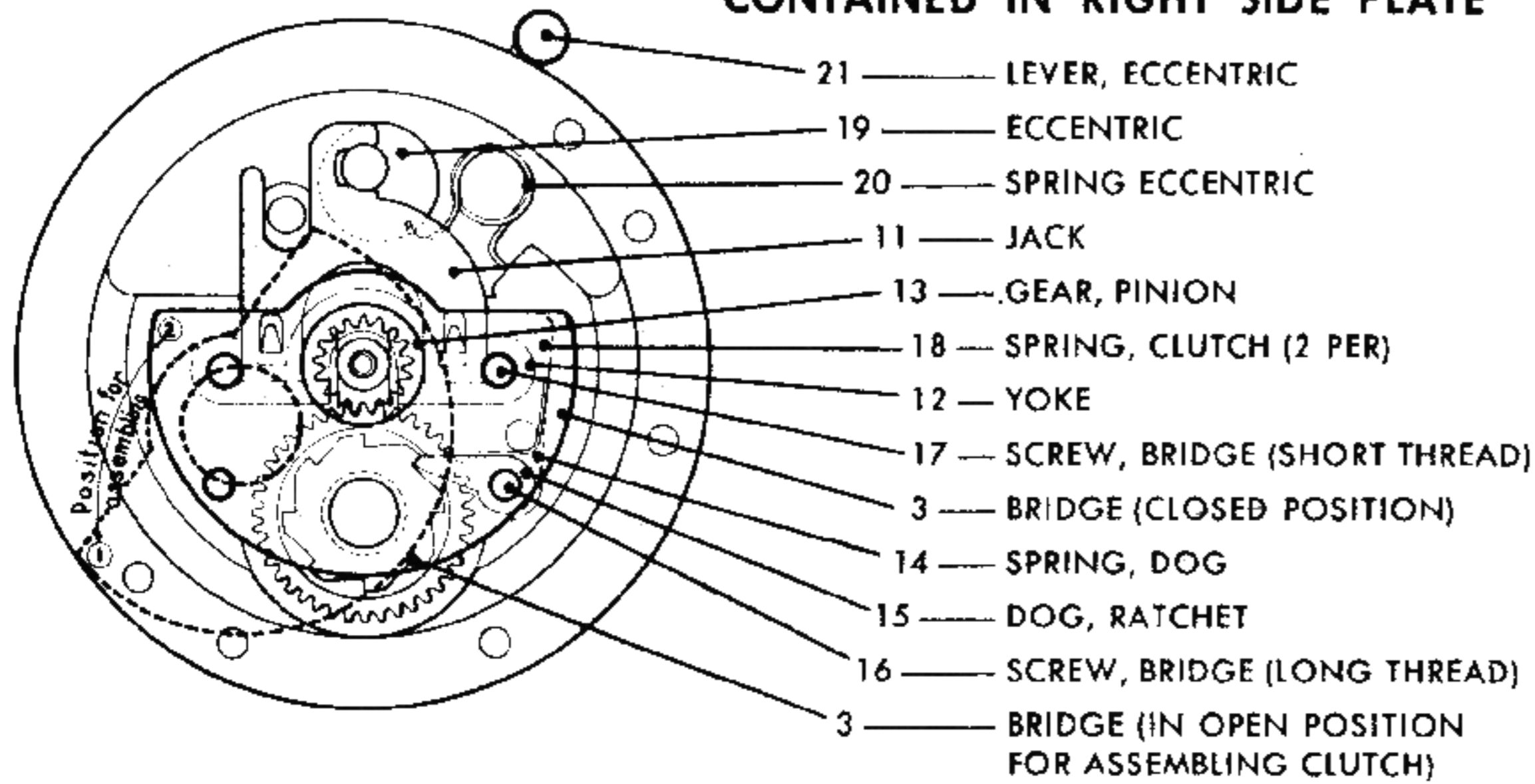
The left side spool bearing cap is located at the center of the left side plate of all Penn reels excepting Senator models from 12/0 to 16/0 and model 77.

It is adjustable so that excessive end play of the spool can be taken up by turning the cap clockwise. Adjust the bearing cap so that the side motion of the spool can barely be felt. This will be approximately from .003" to .005".

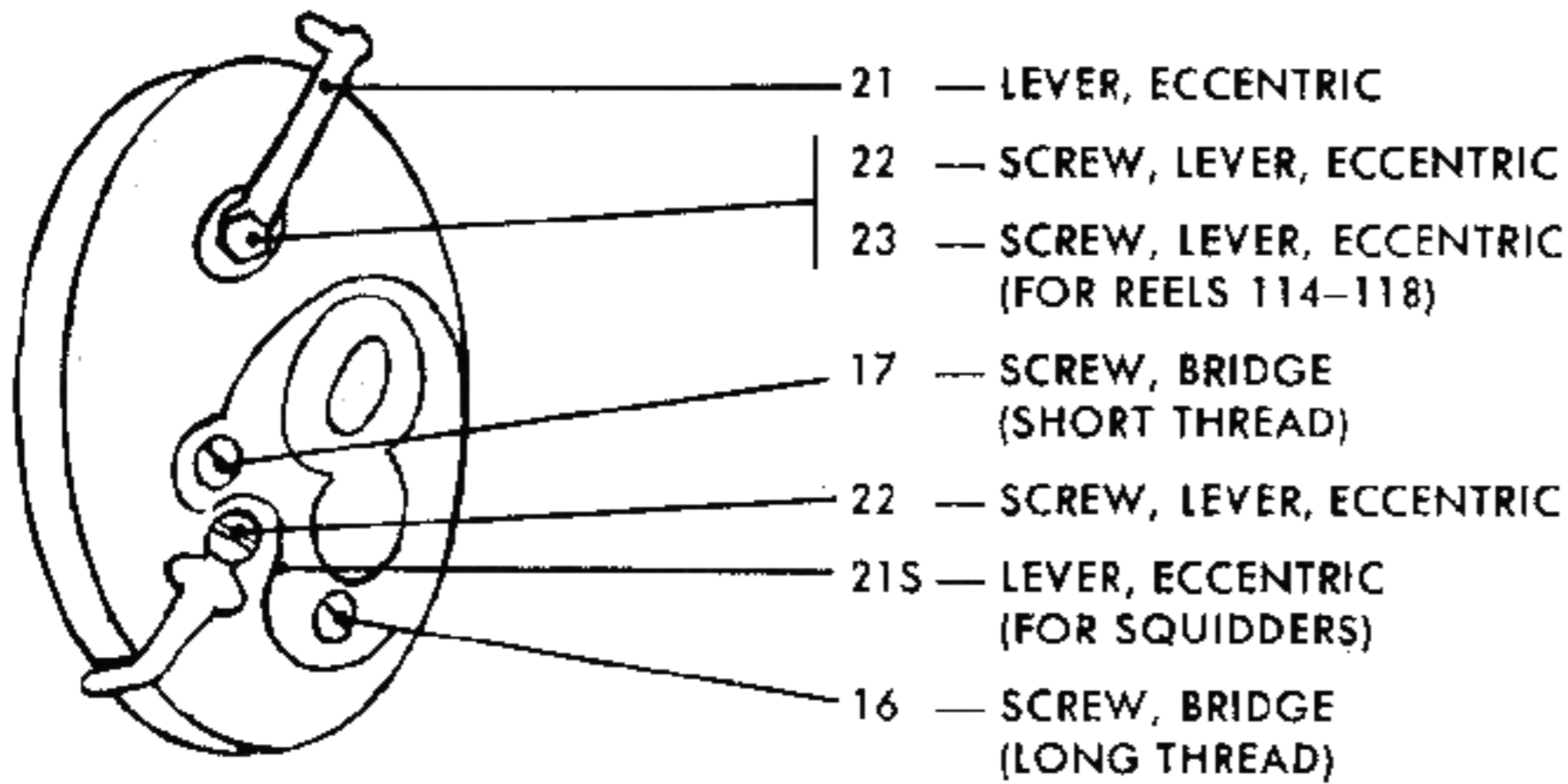
CAUTION: Do not use the left bearing cap adjustment as an anti-backlash device. An overly tight left side bearing cap can damage both the right and left side bearings.

PENN REELS — SERVICE PARTS

CLUTCH MECHANISM CONTAINED IN RIGHT SIDE PLATE



- 21 — LEVER, ECCENTRIC
- 19 — ECCENTRIC
- 20 — SPRING ECCENTRIC
- 11 — JACK
- 13 — GEAR, PINION
- 18 — SPRING, CLUTCH (2 PER)
- 12 — YOKE
- 17 — SCREW, BRIDGE (SHORT THREAD)
- 3 — BRIDGE (CLOSED POSITION)
- 14 — SPRING, DOG
- 15 — DOG, RATCHET
- 16 — SCREW, BRIDGE (LONG THREAD)
- 3 — BRIDGE (IN OPEN POSITION FOR ASSEMBLING CLUTCH)



- 21 — LEVER, ECCENTRIC
- 22 — SCREW, LEVER, ECCENTRIC
- 23 — SCREW, LEVER, ECCENTRIC (FOR REELS 114-118)
- 17 — SCREW, BRIDGE (SHORT THREAD)
- 22 — SCREW, LEVER, ECCENTRIC
- 21S — LEVER, ECCENTRIC (FOR SQUIDDERS)
- 16 — SCREW, BRIDGE (LONG THREAD)

PLEASE REFER TO PAGES 24 AND 31 FOR THE PART NUMBER TO FIT YOUR REEL

HOW TO ASSEMBLE CLUTCH

ALL PENN MODELS EXCEPT 349'S
PLEASE REFER ALSO TO PAGES 6 AND 7

After assembling the drag system (see page 23), place it in position in the right side plate. Then insert the first long threaded screw (16-) from front of plate. Next, grip the plate in left hand, and with thumb pressing on the bridge, move bridge to left with your right hand.

Place the dog (15-) and spring (14-) into position (see sketch opposite).

Maintaining grip with the left hand, move bridge to original position and insert the other screw (16-). Tighten into bridge. Next insert the two short threaded screws (17-) and tighten into bridge.

PENN REEL HANDLES

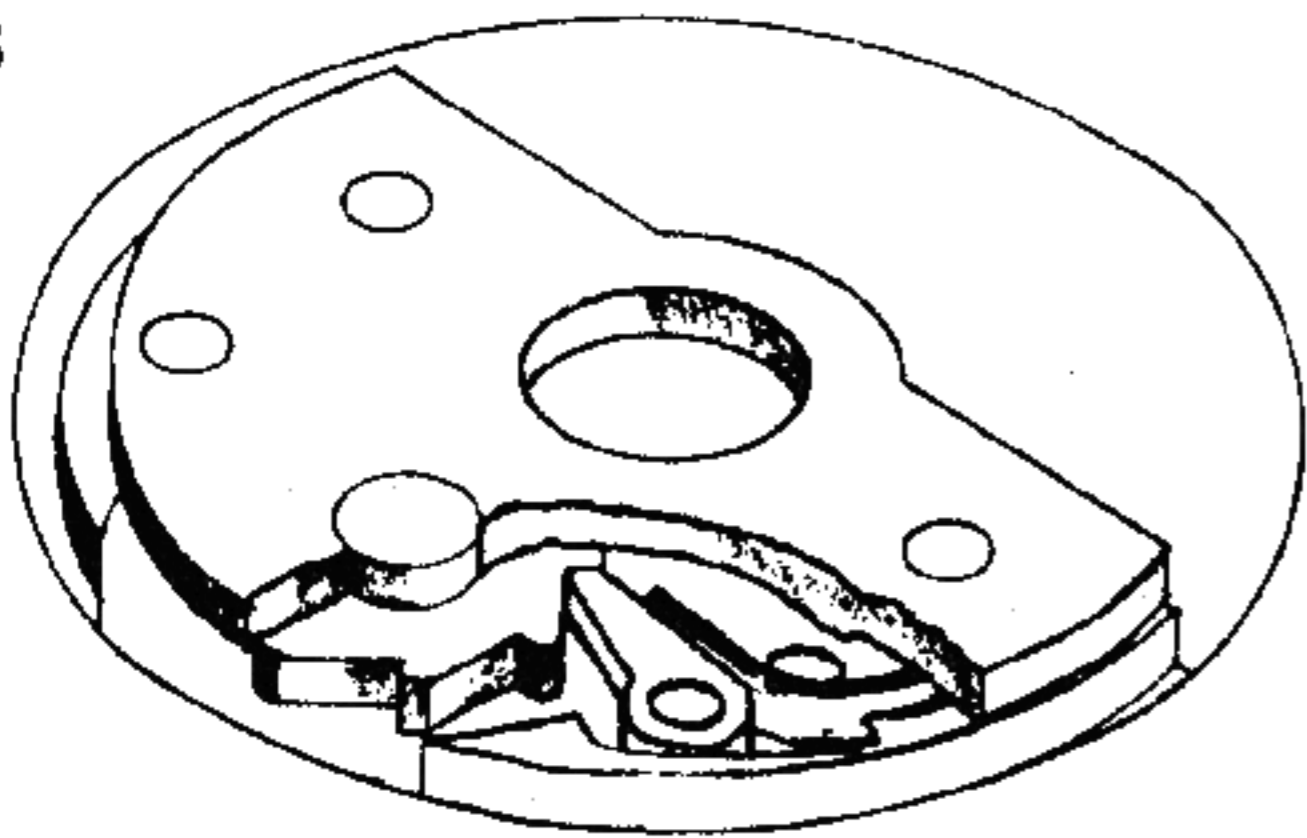
PENN REEL HANDLES are interchangeable. For OVERSIZE handle (longer than standard size) use the next larger size.

Length of handles:

- Handle #24-109—length 2 7/8"
- Handle #24-180—length 3"
- Handle #24-160—length 3 1/2"
- Handle #24-155—length 4"
- Handle #24-66 —length 4 3/8"
- Handle #24-49 —length 5"

When replacing handle screw, be sure to TIGHTEN handle screw before inserting lock screw. See page 21 for 3-in-1 handles.

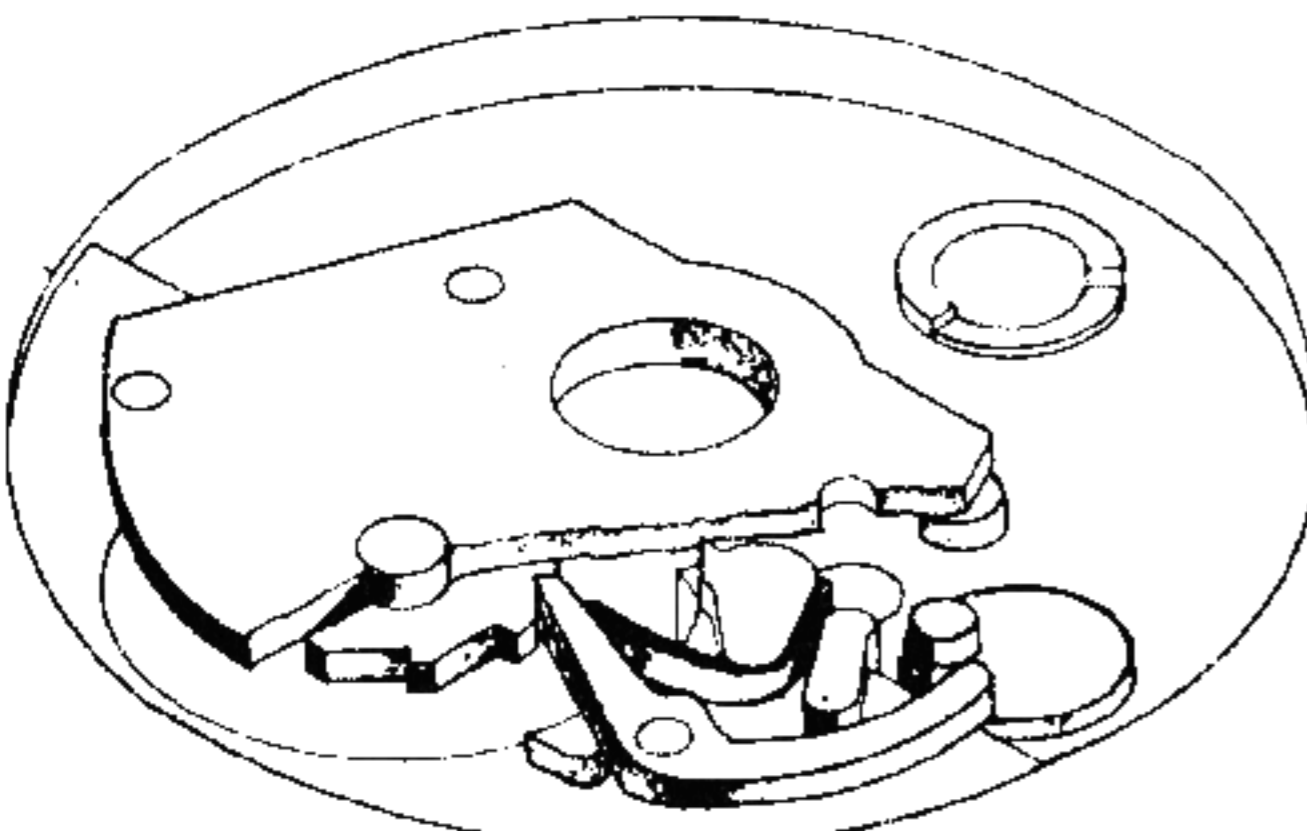
155



FOR PENN REEL MODELS 155 and 49

Hold plate in an inverted position with left hand. Insert bridge screw from underneath. Hold screw in position with finger and place dog over bridge screw. Place flat spring firmly against the dog and bend slightly around the spring pin until the spring is positioned in plate. Don't overbend spring.

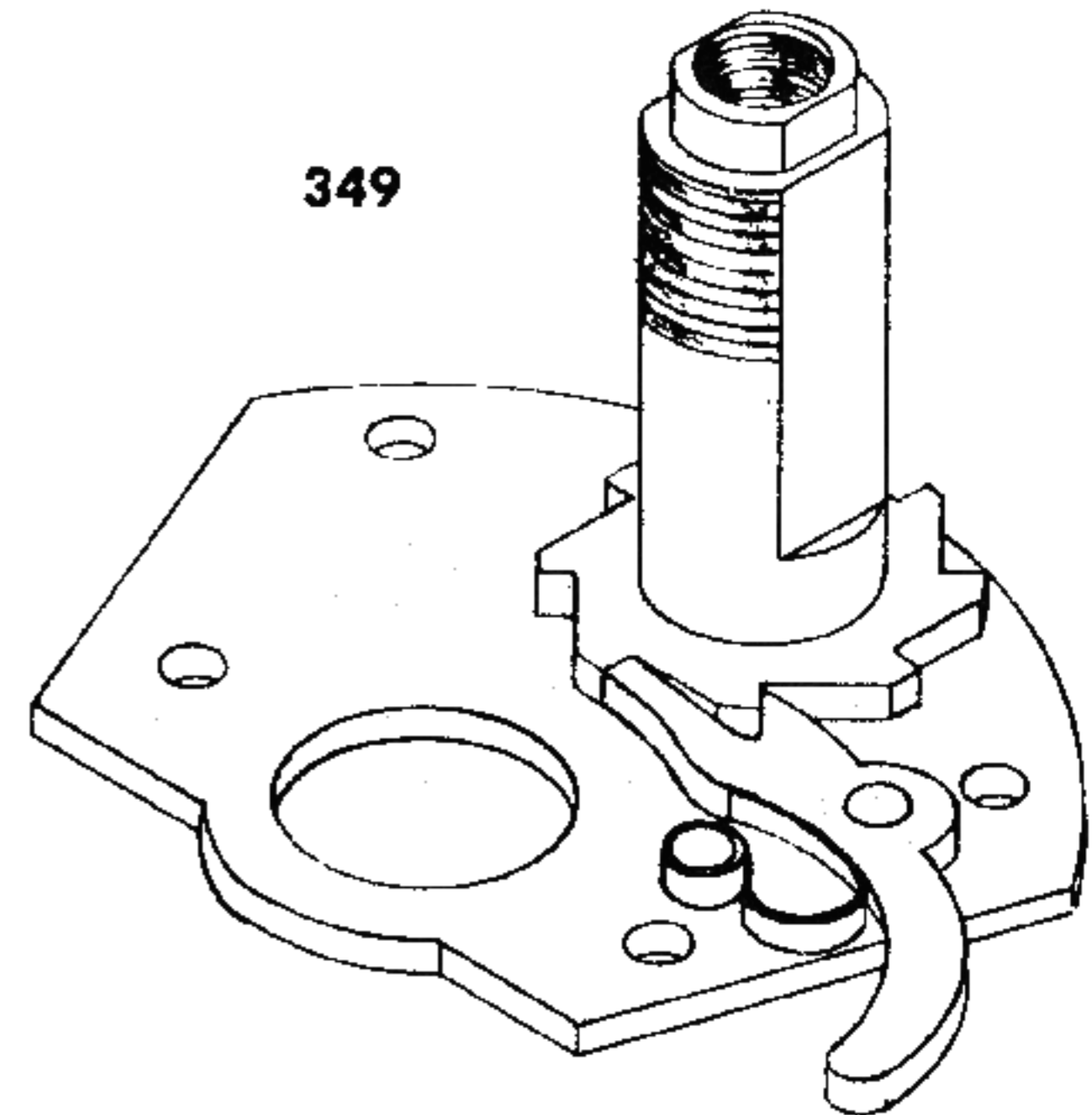
49



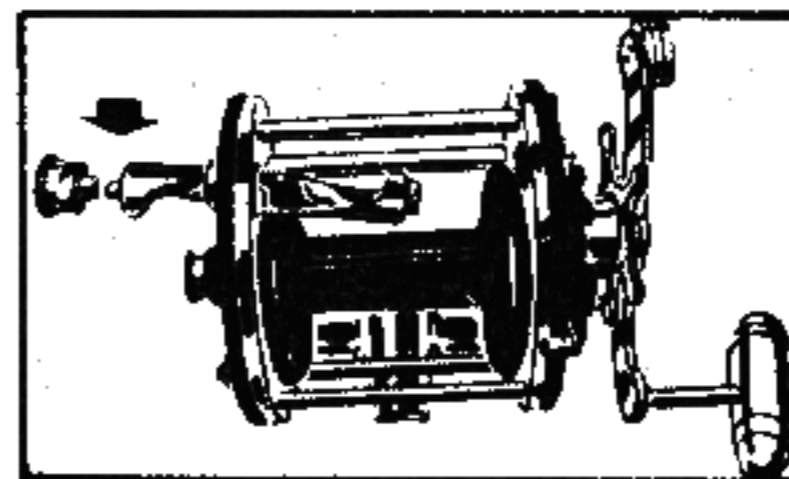
PENN REEL MODEL 349 SERIES

Remove bridge assembly from plate. Place on flat surface so that ratchet side faces in upward position. Place dog over dog pin mounted on Bridge (the larger one). Place dog spring over spring pin. Compress spring until positioned against dog. Replace main gear and drag assembly. With plate in upright position, place over Bridge assembly and insert four bridge screws.

349



HOW TO REPLACE LEVELINE SPIRAL BAR



1. Back off knurled spiral bar bearing on left side plate.
2. Push the spiral bar through opening in left side plate. The spiral gear may come out of right side plate with spiral bar, but may not go through the opening in left side plate. Remove gear from spiral bar and bar from reel.

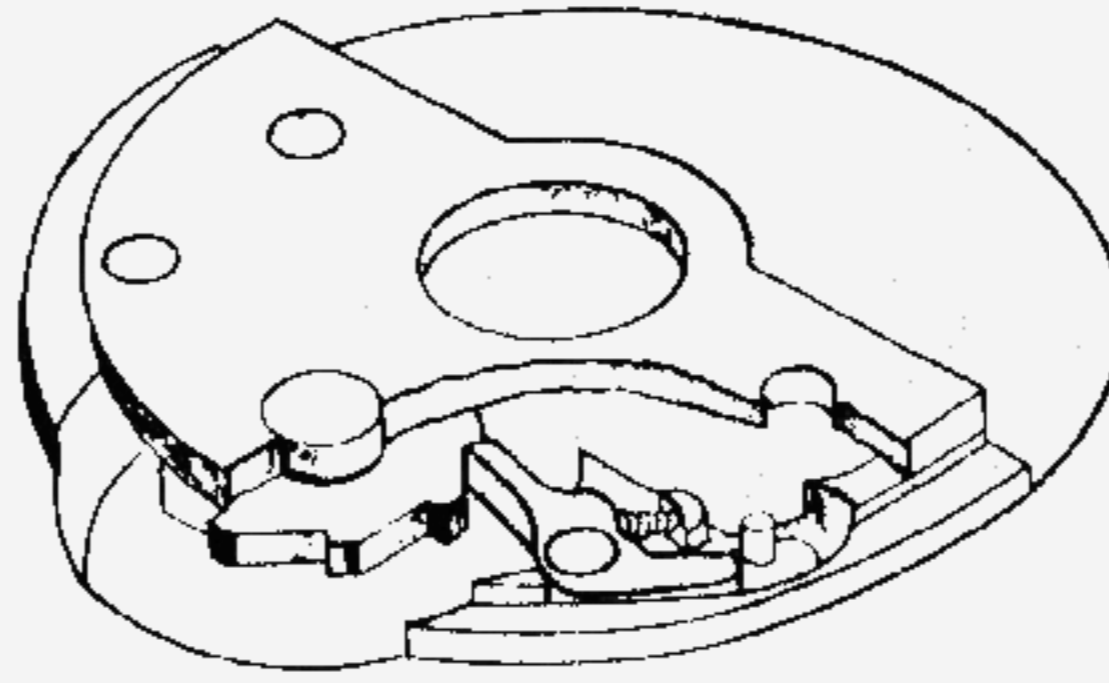
3. Push new spiral bar through hole in left side plate and place spiral gear onto flattened end of bar. When installed correctly, gear fits flush with flattened end of spiral bar.
4. Holding spiral bar lightly between thumb and index finger, rotate it anti-clockwise and at the same time turn reel handle slowly, in order for the gear to engage the two spiral dogs. Do not use force. Turn handle to test action.
5. Replace knurled spiral bar bearing. Bar should have slight sideplay and move freely when handle is turned.

HOW TO INSTALL DOG MECHANISM COMPONENTS

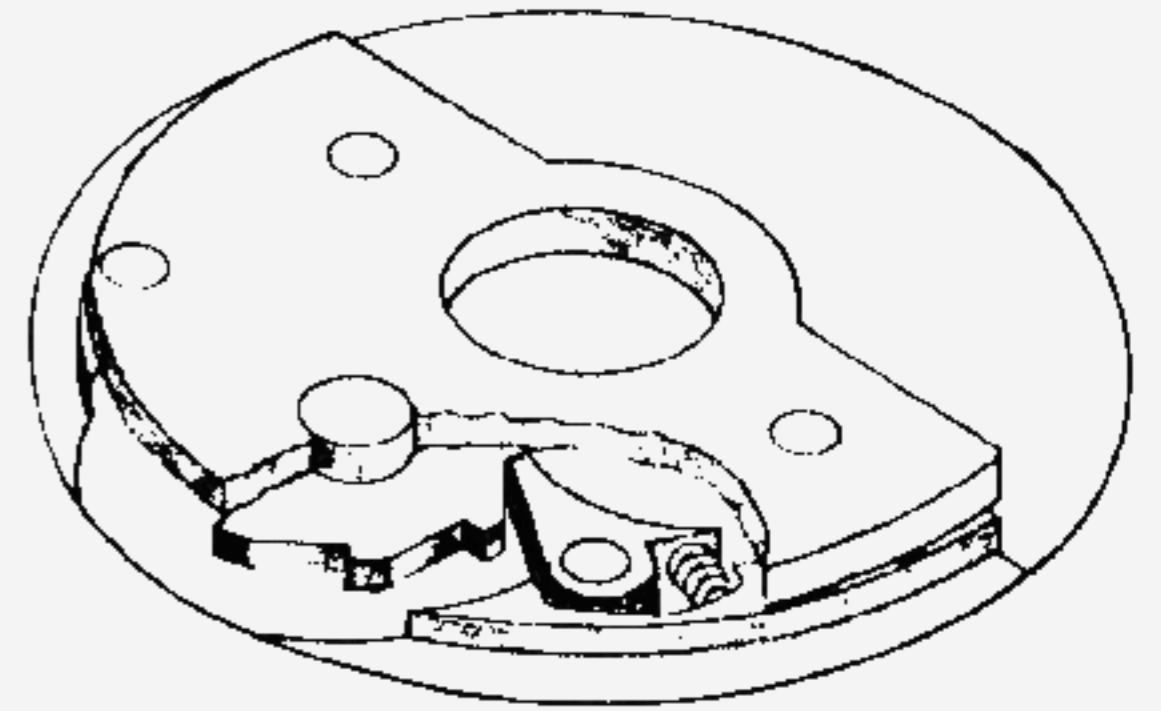
FOLLOW THESE THREE BASIC RULES:

1. When the star drag mechanism is assembled in proper sequence, turn the Bridge slightly so that the dog and dog spring are easily inserted. Hold the side plate in an inverted position with the fingers of the left hand over the Bridge to hold the drag washers in position.
2. Once the dog mechanism has been assembled, check to make sure the mechanism is clicking properly.
3. Long threaded screws always go into holes nearest Bridge stud. Short threaded screws go into other opening for clutch springs.

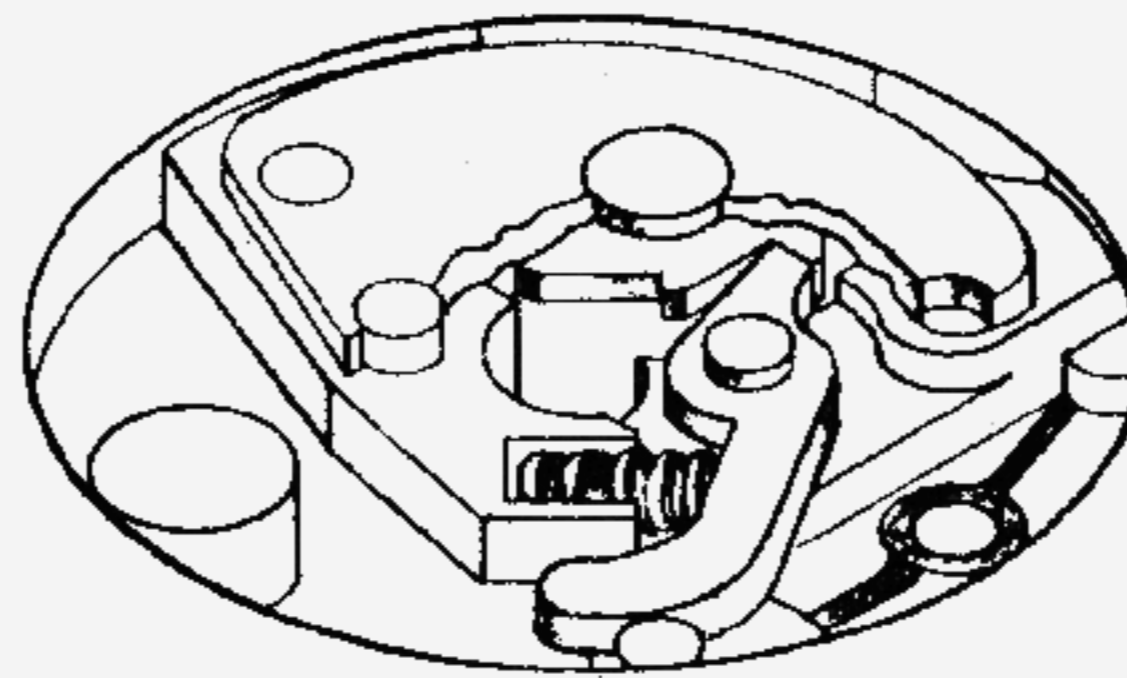
140



99



109



FOR PENN REEL MODELS 140, 145, 146, 99, 109

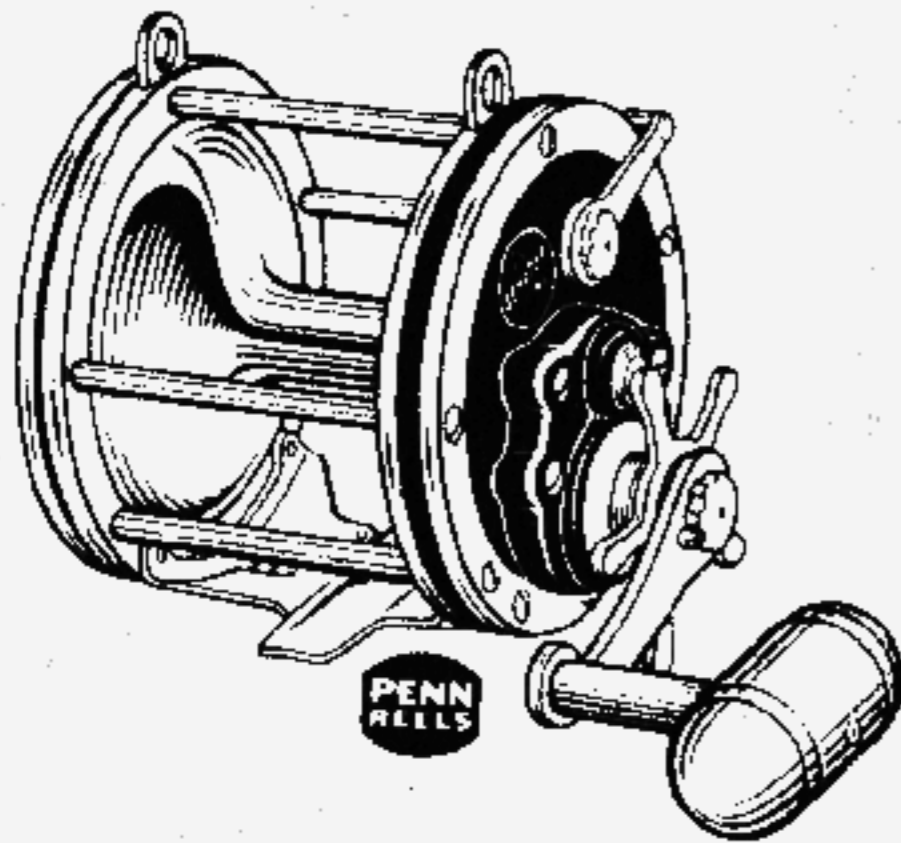
Insert dog spring into hole located on side of dog (model 140-5-6 only). Models 99 and 109, insert spring after dog has been positioned. Hold plate in an inverted position with left hand and place one of the long threaded bridge screws into the plate from underneath. Hold screw in position with finger. Place dog with spring inserted (model 140-5-6) over screw and with small pointed object, compress dog spring until firmly placed against the plate embossment. Turn the Bridge slowly, keeping slight pressure on top of bridge to maintain drag washers in position. Insert remaining three bridge screws.

7



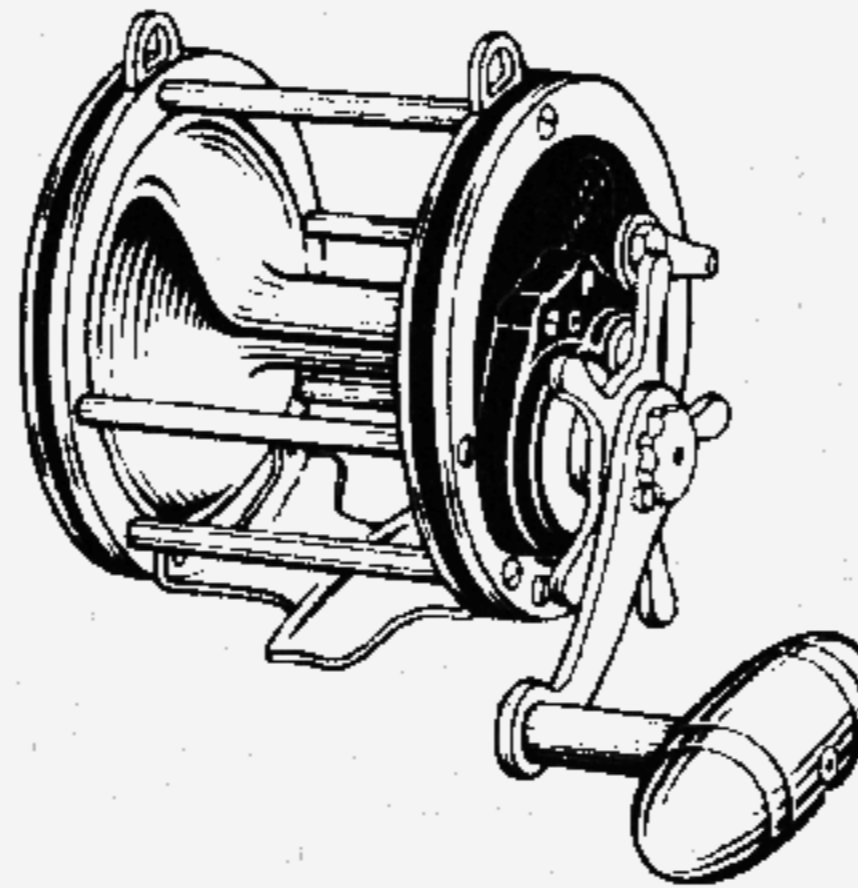
Special Senator® Fast Retrieve Trolling Reels

Deluxe Series. Extra Speed, Extra Power, Extra Smoothness.



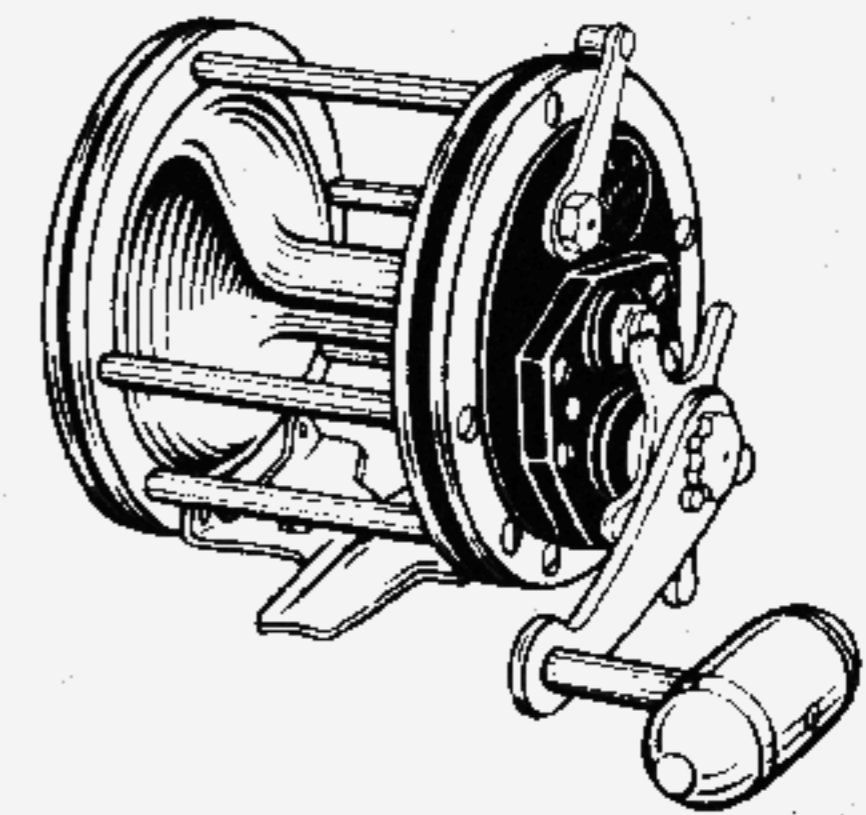
114H Penn Special Senator® High Speed Gamefish Reel — Size 6/0

Fast with extra power and extra smoothness. Oversize "Star" drag system can be serviced without removing side plate. Solid one-piece chrome-plated bronze spool. Stainless steel ball bearings. Approx. cap. 500 yds./50 lb. mono. Gear ratio 2.8 to 1. Plate diameter 4 1/4." Spool width 2 3/4." Weight 52 oz. Rod clamp and harness lugs included.



113H Penn Special Senator® High Speed Gamefish Reel — Size 4/0

Unusually fast retrieve, extra strong and dependable. One-piece chrome-plated solid bronze spool. Features stainless steel ball bearings and gears, "Star" drag system with easy access for servicing. Harness lugs and rod clamp included. High gear ratio 3 1/4 to 1. Approx. cap. 575 yds./30 lb. mono. Plate diameter 3 5/8." Spool width 2-7/16." Weight 34 oz.



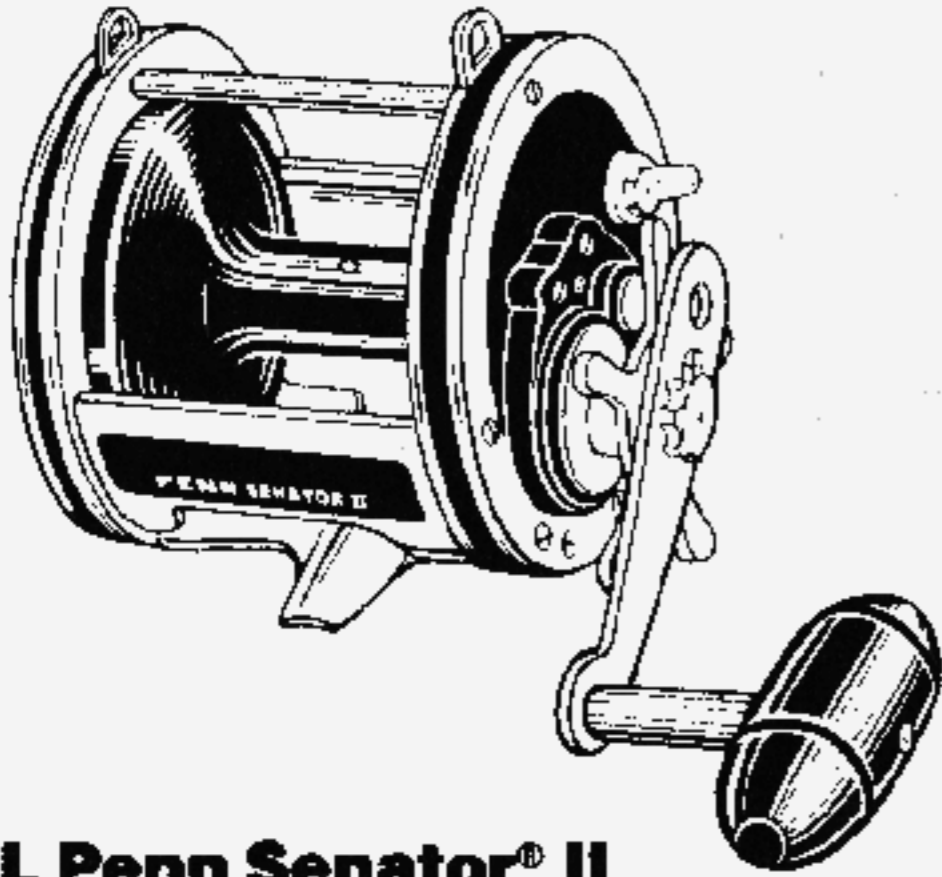
112H Penn Special Senator® High Speed Gamefish Reel — Size 3/0

Fast retrieve, extra strong, one-piece spool, extra smooth star drag system. Side plates protected by two chrome-plated brass rings. Man-size handle. Approx. cap. 375 yds./30 lb. mono. High gear ratio 3.7-1. Plate diameter 3 1/4." Spool width 2 1/8." Weight 22 oz. Rod clamp included.



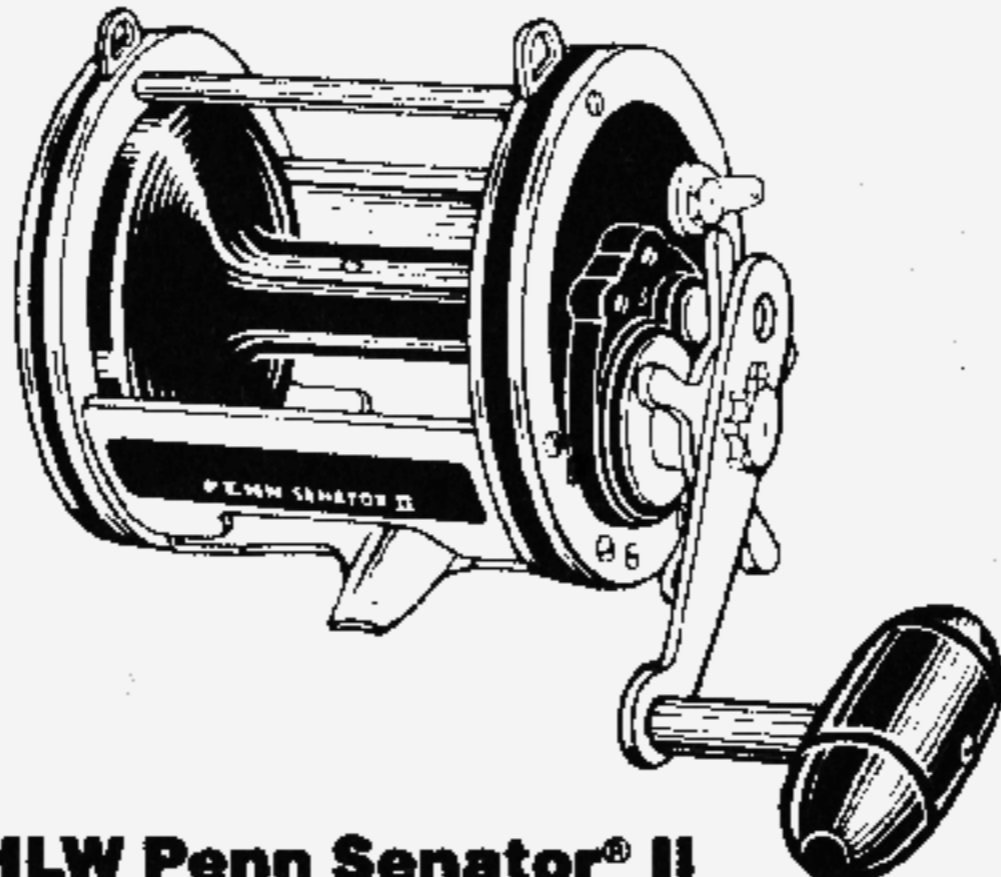
Senator® II High Speed Trolling Reels

Lightweight Trolling Reels with Extra Strength and Rigidity



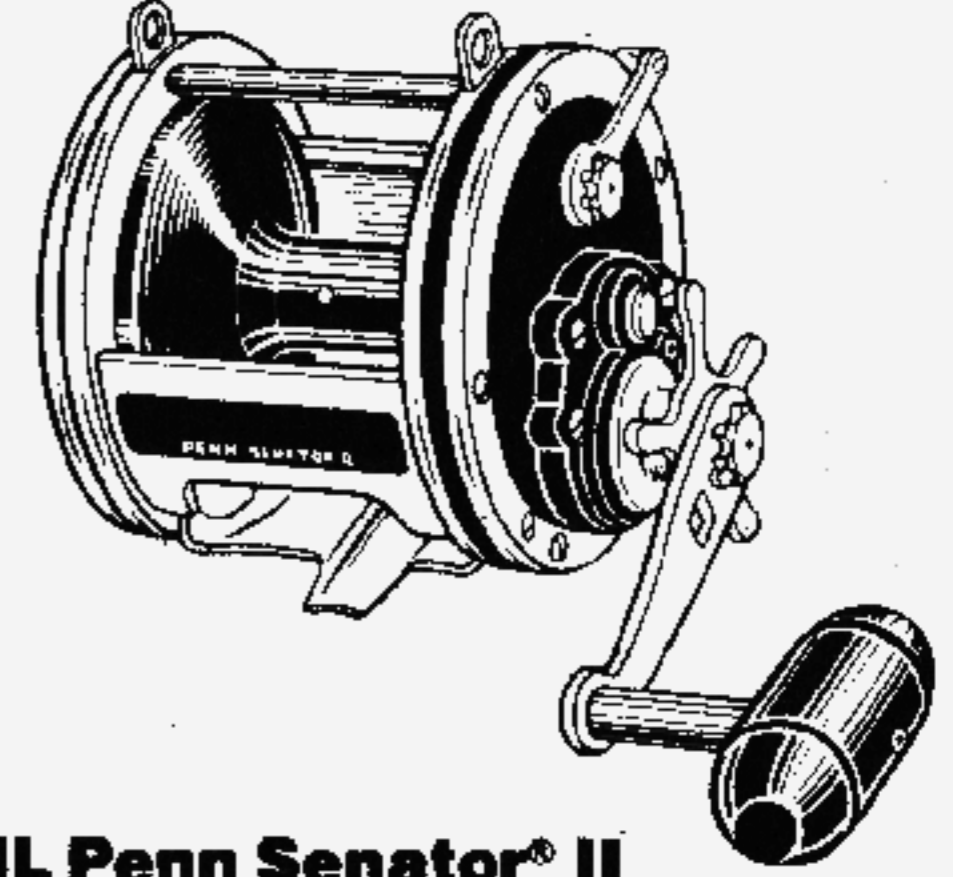
113HL Penn Senator® II High Speed Trolling Reel—Size 4/0

Standard 4/0 size with extra strong forged anodized aluminum spool for lighter weight in trolling or casting. Rigid anodized aluminum spacer bars. Handy line capacity chart. Convertible handle for extra leverage. Stainless steel ball bearings and gears. Triple chrome-plated brass rings. Penn's smooth "Star" drag system with oversize multiple discs. Comes with harness lugs and rod clamp. Fast gear ratio of 3¼ to 1. Spool width 2-7/16". Capacity approx. 475 yds./30 lb. mono. Weight 31 oz.



113HLW Penn Senator® II High Speed Trolling Reel—Size 4/0

This new large capacity reel features an extra wide forged anodized aluminum spool for holding more line when needed. Two rigid anodized aluminum spacer bars. Convertible handle for added leverage. Handy line capacity chart. Triple chrome-plated brass rings. Stainless steel ball bearings and gears. Super smooth Penn "Star" drag system. Harness lugs and rod clamp. Fast 3¼ to 1 gear ratio. Spool width 3". Capacity 600 yds./30 lb. mono. Weight 32 oz.



114HL Penn Senator® II High Speed Trolling Reel—Size 6/0

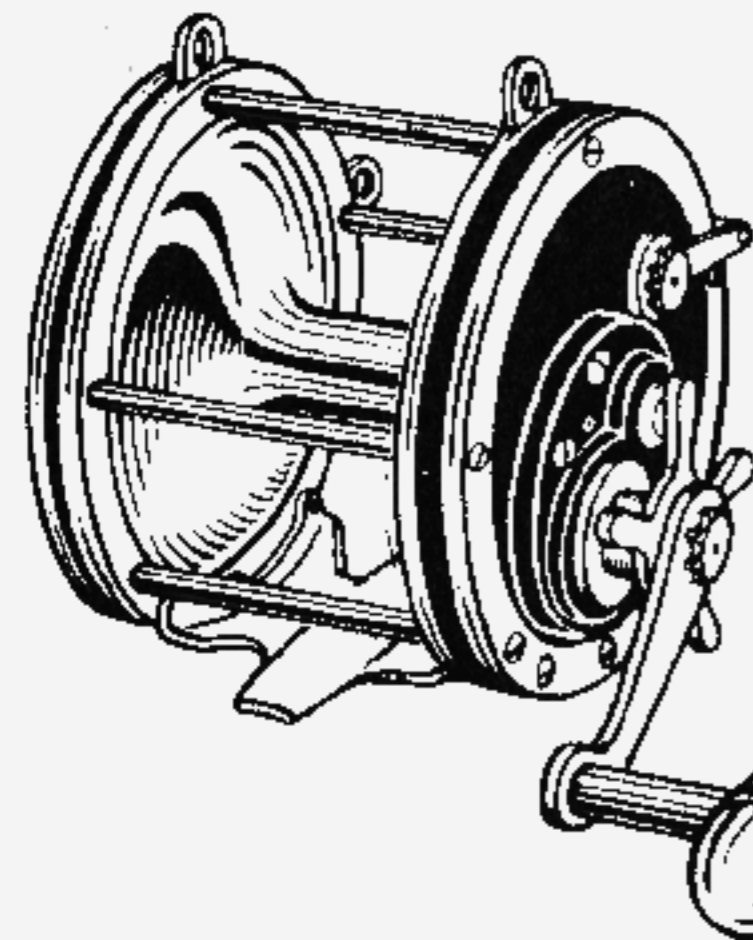
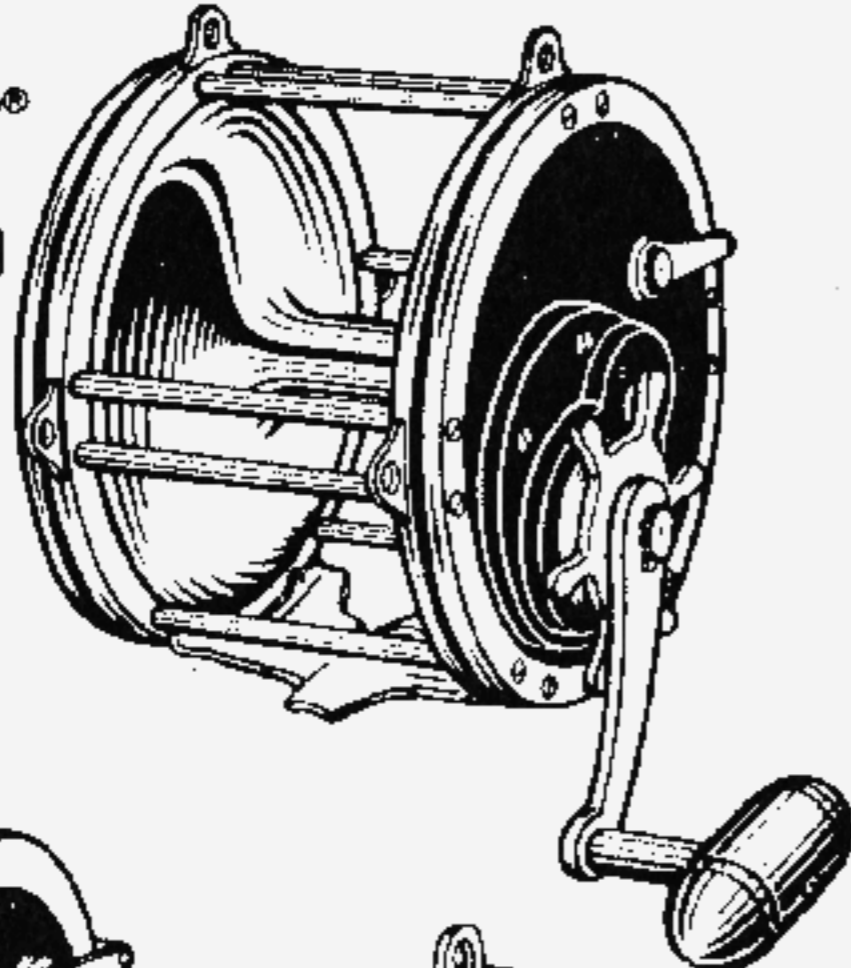
A medium tackle saltwater trolling reel with strength and power to spare! Strong forged anodized aluminum spool for lighter weight in trolling or casting. Rigid anodized aluminum spacer bars. Handy line capacity chart. Triple chrome-plated brass rings. Convertible handle for extra leverage. Stainless steel ball bearings and gears. Penn's famous "Star" drag system with oversize multiple discs. Harness lugs and rod clamp. Gear ratio 2.8 to 1. Spool width 2¾". Capacity 475 yds./50 lb. mono. Weight 47 oz.



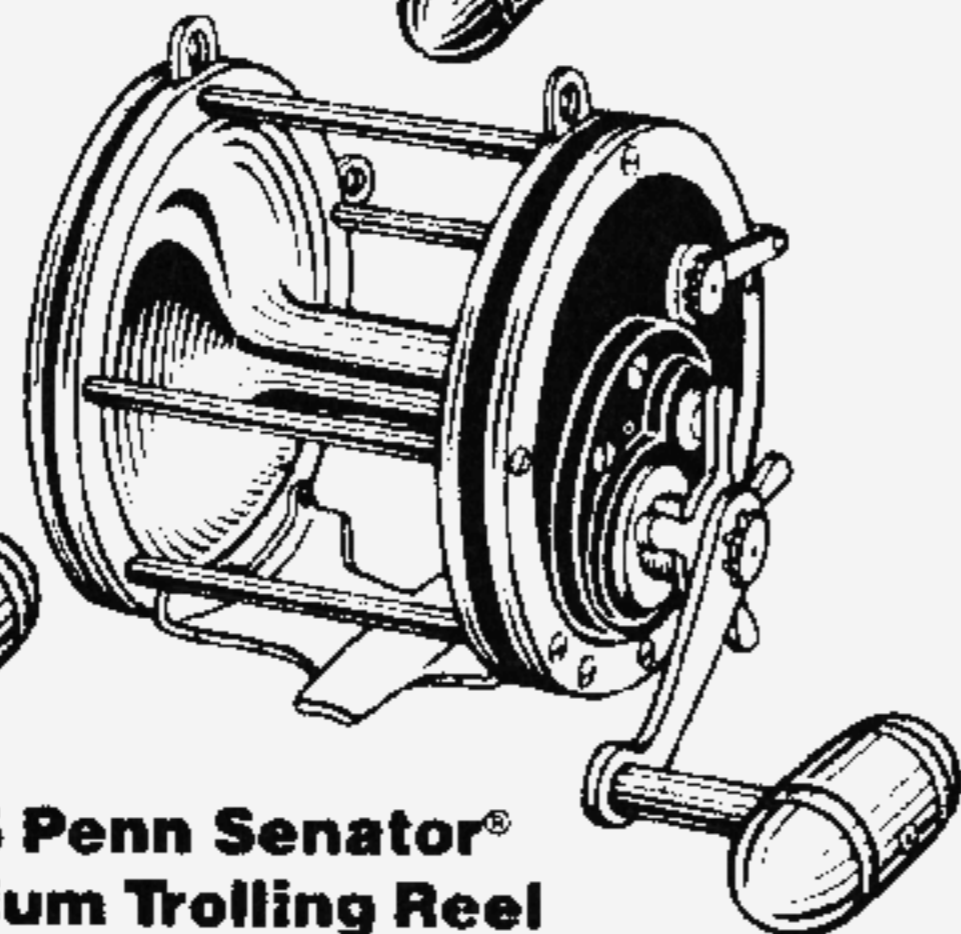
Senator® Big Game Trolling Reels

Rugged Big Game Reels.

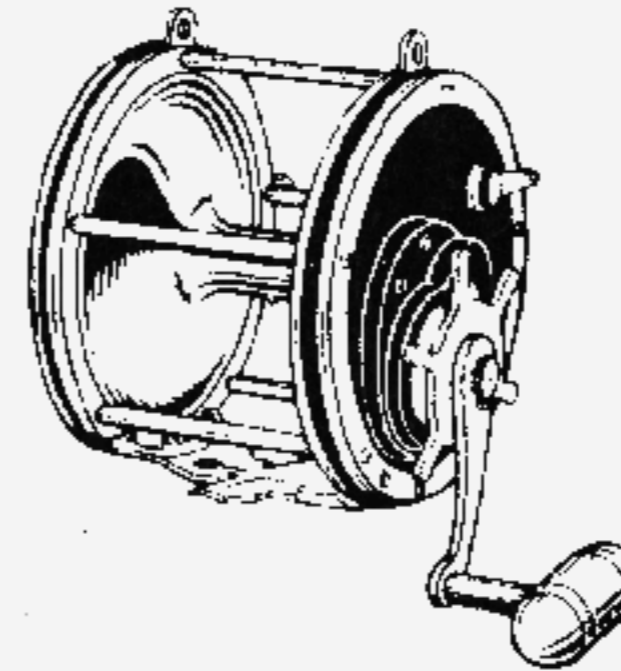
118 Penn Senator® Extra Heavy Duty Trolling Reel—Size 16/0



114 Penn Senator® Medium Trolling Reel—Size 6/0



115 Penn Senator® Medium Trolling Reel—Size 9/0



116A Penn Senator® Medium Heavy Trolling Reel—Size 10/0



AIRCRAFT-QUALITY BALL-BEARINGS
Help produce smooth performance

Both experienced sport fishermen and professional charter boat captains select Penn Senators for complete satisfaction. One-piece cast brass spools, a special feature of Senator Reels, are now standard equipment in sizes from 4/0 to 16/0.

Velvet smooth, but powerful star drag systems, help fight fish and protect tackle. Tough brake lining is used in the star drags of Senators 4/0 to 16/0, inclusive, for extra heavy service.

Penn Senator reels have hard steel driving gears and stainless steel pinion gears. Models from 4/0 to 16/0, inclusive, have harness lugs. Forward rod braces are supplied with models 9/0 to 16/0, inclusive. The 14/0 and 16/0 models have double braces for extra rigidity. Spools of 9/0 to 16/0, inclusive, run in aircraft-quality ball bearings, for smooth action. All Senator models have comfortable torpedo handles, hand polished chromium plated external metal parts, and one-shot lubrication systems.

Special Senator® Series Specifications

MODEL	LINE CAPACITY (YDS/MONO) (YDS/DACRON)	GEAR RATIO	WEIGHT (OZ)	SPOOL WIDTH
6/0 114H	525/50 500/50	2.8-1	52	2 ³ / ₄ "
4/0 113H	575/30 550/30	3.25-1	34	2 ⁷ / ₁₆ "
3/0 112H	375/30 350/30	3.7-1	22	2 ¹ / ₈ "

Left Hand Versions Available On All Models

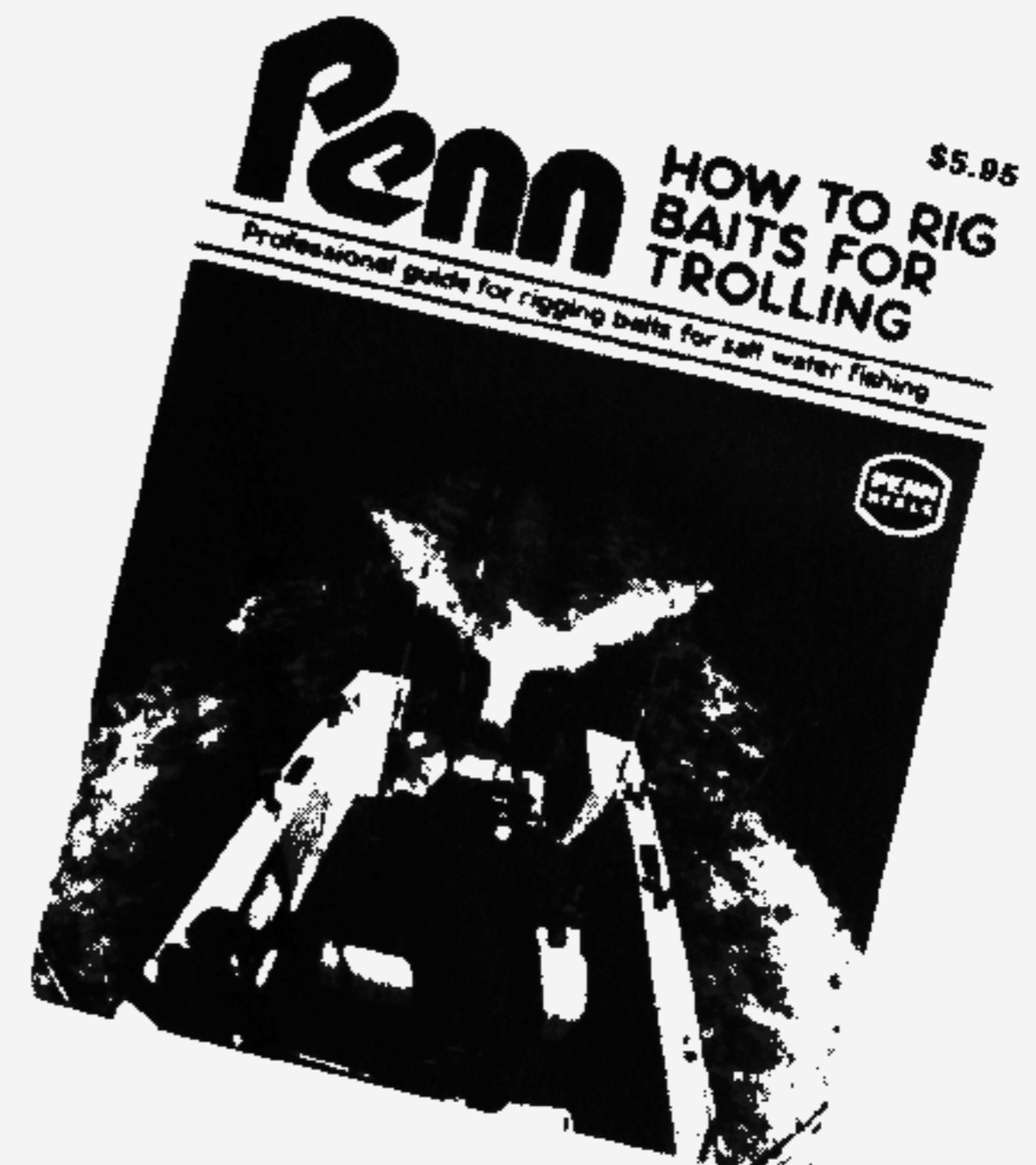
Senator® II Series Specifications

MODEL	LINE CAPACITY (YDS/MONO)	GEAR RATIO	WEIGHT (OZ)	SPOOL WIDTH
6/0 114HL	475/50 300/80	2.8-1	47	2 ³ / ₄ "
4/0 113HLW	600/30 375/50	3.25-1	32	3"
4/0 113HL	475/30 300/50	3.25-1	31	2 ⁷ / ₁₆ "

Senator® Series Specifications

MODEL	LINE CAPACITY (YDS/MONO) (YDS/DACRON)	GEAR RATIO	WEIGHT (OZ)	SPOOL WIDTH
4/0 113	500/30 450/30	2-1	30	2 ¹ / ₈ "
3/0 112	375/30 350/30	2.25-1	26	2 ⁷ / ₁₆ "

Left Hand Versions Available On All Models



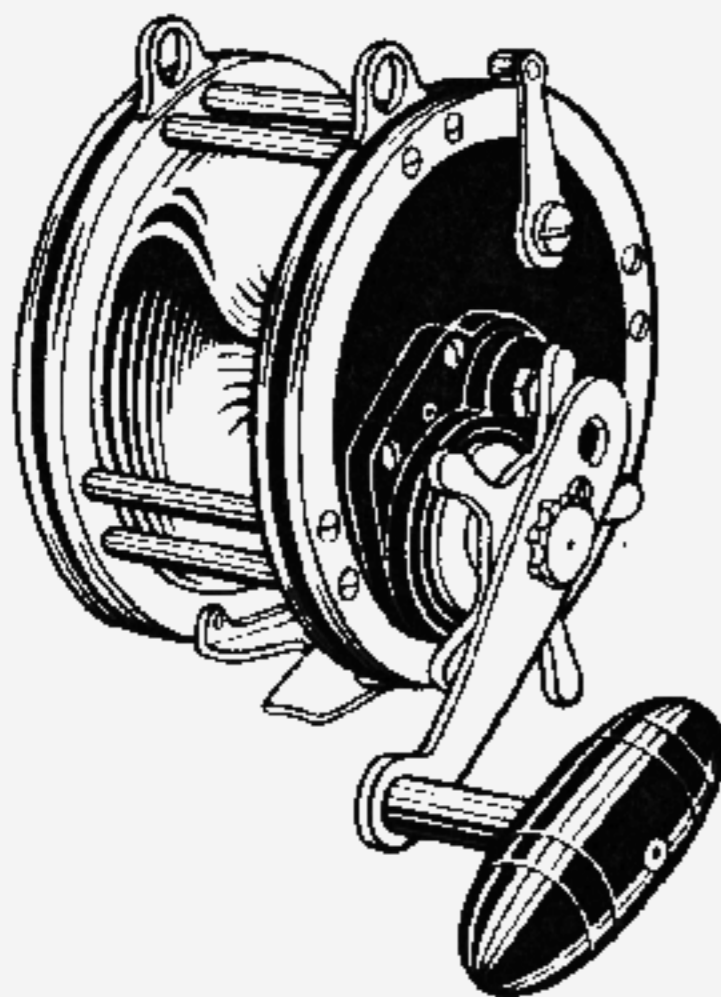
"How to Rig Baits for Salt Water Trolling"

A complete professional guide with 64 pages of instructions. Photography is used to enhance the step by step methods of correctly rigging popular baits: squid, mullet, balao, strip bait, etc. Trolling Tips, hook sizes for specific game fish and suggested bait is all discussed in this comprehensive guide.



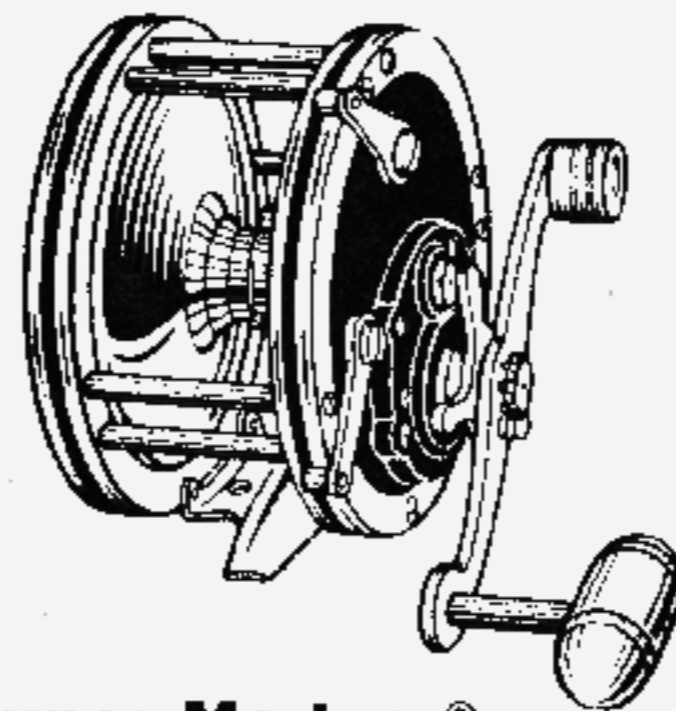
Mariner® Narrow Spool Reels

Reels Specially Designed for Wire, Lead Core, Nylon and Dacron Lines.

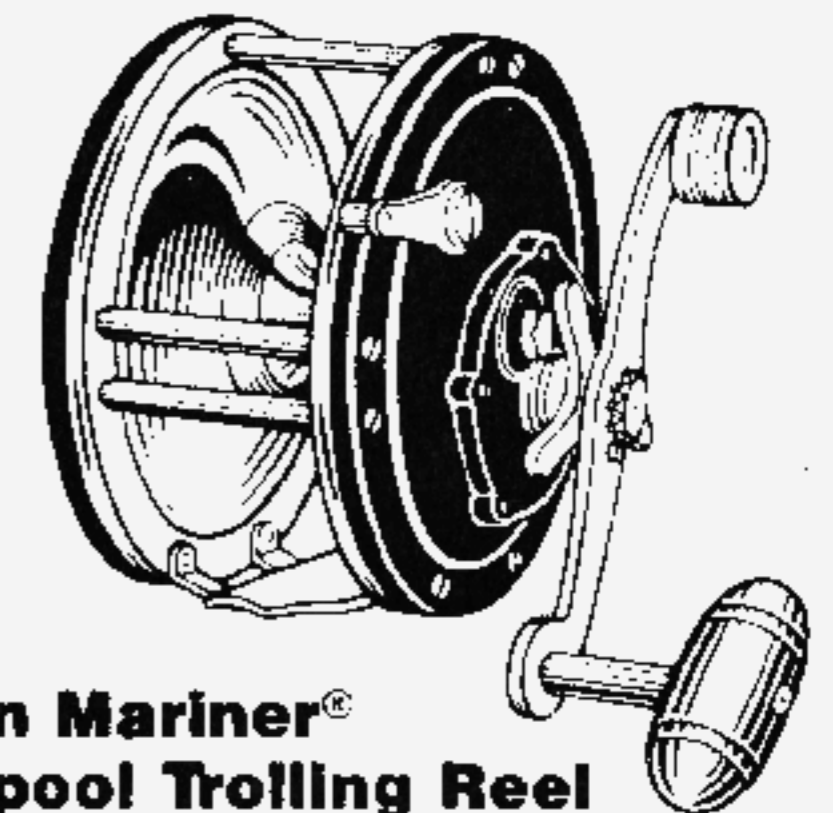


349H Penn Master Mariner® Narrow Spool Trolling Reel

For wire, lead core, mono, dacron and other lines. Features chrome-plated machined one-piece cast bronze spool. Has high gear ratio for fast retrieve. Oversize drag. Convertible handle. Sturdy frame has double frame posts and harness lugs.



49L Penn Super Mariner® Narrow Spool Trolling Reel



149L Penn Mariner® Narrow Spool Trolling Reel

Mariner® Series Specifications

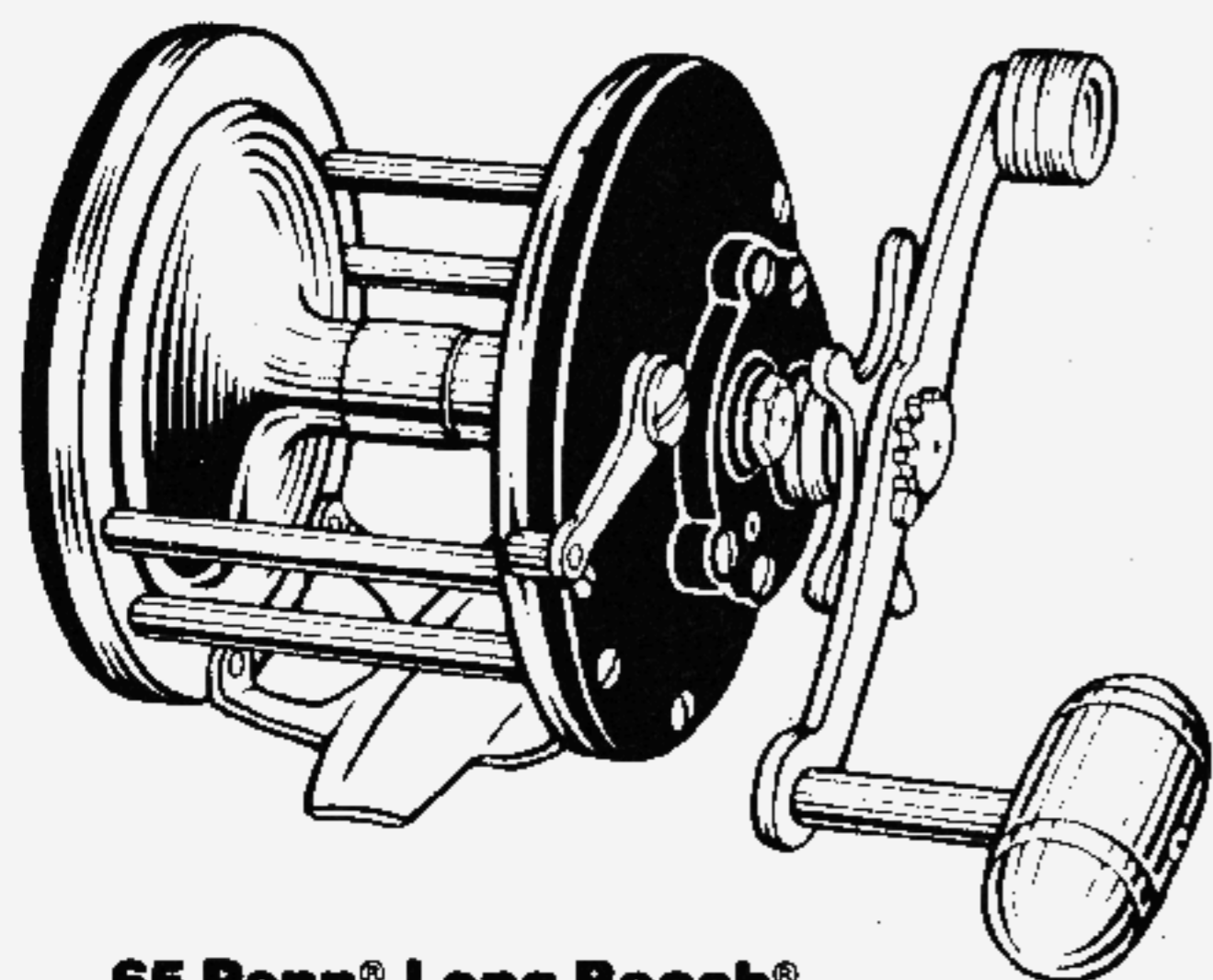
MODEL	LINE CAPACITY (YDS)	GEAR RATIO	WEIGHT (OZ)	SPOOL WIDTH
349H	350/30 Dacron 250/18 Lead core 245/024 Wire line	3.25-1	37	1 ⁵ / ₈ "
149L	300/30 Dacron 210/18 Lead core 200/024 Wire line	2.1-1	25.5	1 ⁵ / ₈ "
49L	300/30 Dacron 210/18 Lead core 200/024 Wire line	3.5-1	30	1 ⁵ / ₈ "
49	300/30 Dacron 150/18 Lead core 200/024 Wire line	3.5-1	29	1 ⁵ / ₈ "

Left Hand Version Available On Model 49L



Long Beach® Trolling Reels

Family Reels for Ocean and Bay Fishing.

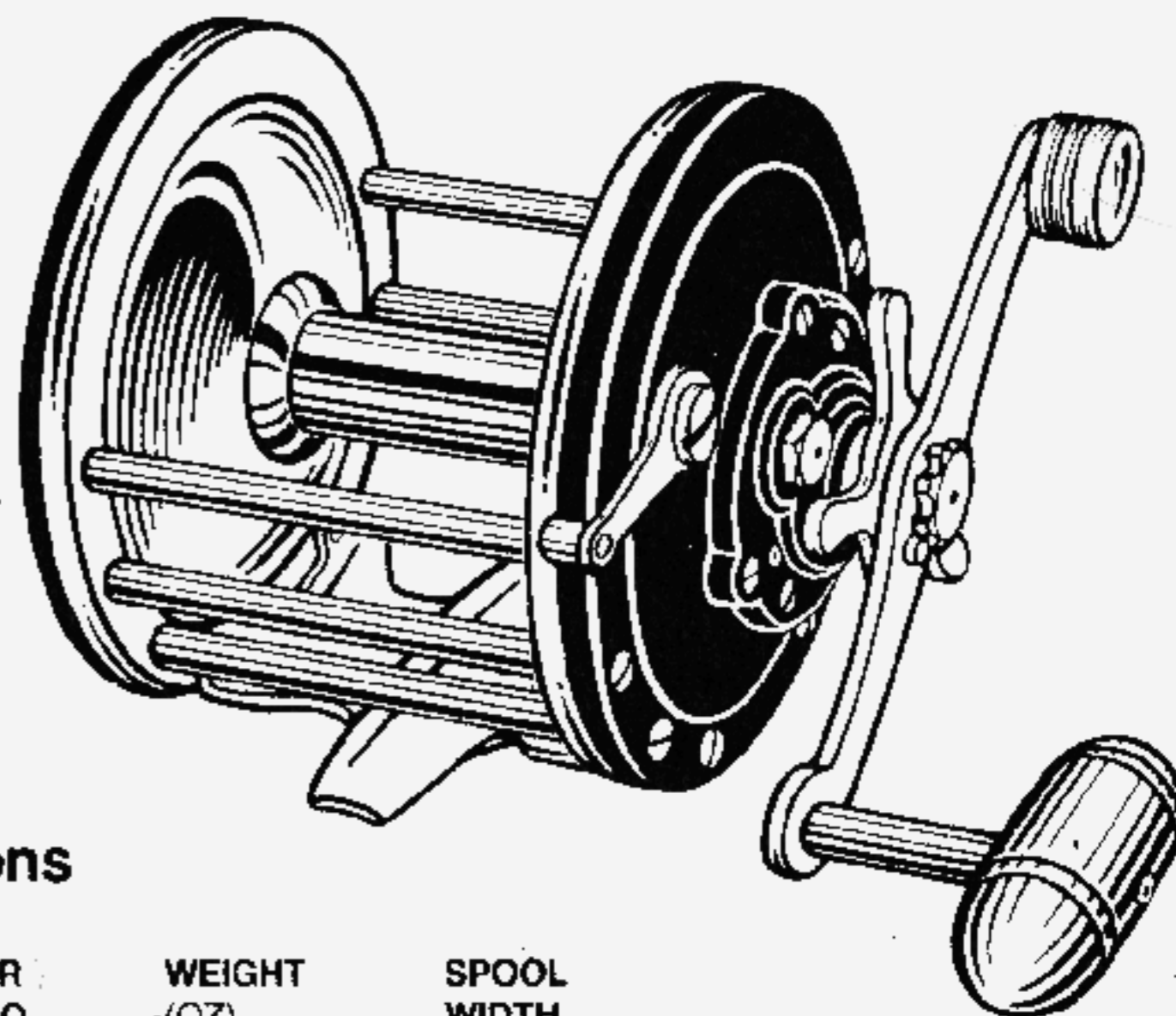


65 Penn® Long Beach® Deep Sea and Bay Bottom Reel

A high capacity ocean and bay reel with a host of popular Penn features. Stainless steel spool. Full-range Penn "Star" drag. Double frame posts. Counter-balanced torpedo handle. One-shot lubrication for long life.

67 Penn Super Long Beach® Trolling Reel

Large line and spool capacity make a big difference when trolling for tough game fish. Stainless steel spool and all exposed metal parts have heavy chrome plating. Full-range oversize "Star" drag. Torpedo handle. Triple brass frame posts. Rod clamps supplied. Smooth free spool action. Warning clicker.



Long Beach® Series Specifications

MODEL	LINE CAPACITY		GEAR RATIO	WEIGHT (OZ)	SPOOL WIDTH
	(YDS/MONO)	(YDS/DACRON)			
68	400/50		2.5-1	29	3"
	375/50				
67	325/50		2.5-1	27	2 ⁷ / ₁₆ "
	300/50				
66	275/50		2.5-1	26	2 ¹ / ₈ "
	250/50				
65	350/30		2.5-1	20.5	2 ¹ / ₈ "
	300/30				
60	275/30		2.5-1	19.5	1 ¹³ / ₁₆ "
	250/30				

Left Hand Versions Available On 60, 65 & 67

13



Penn High Speed Level Wind Series

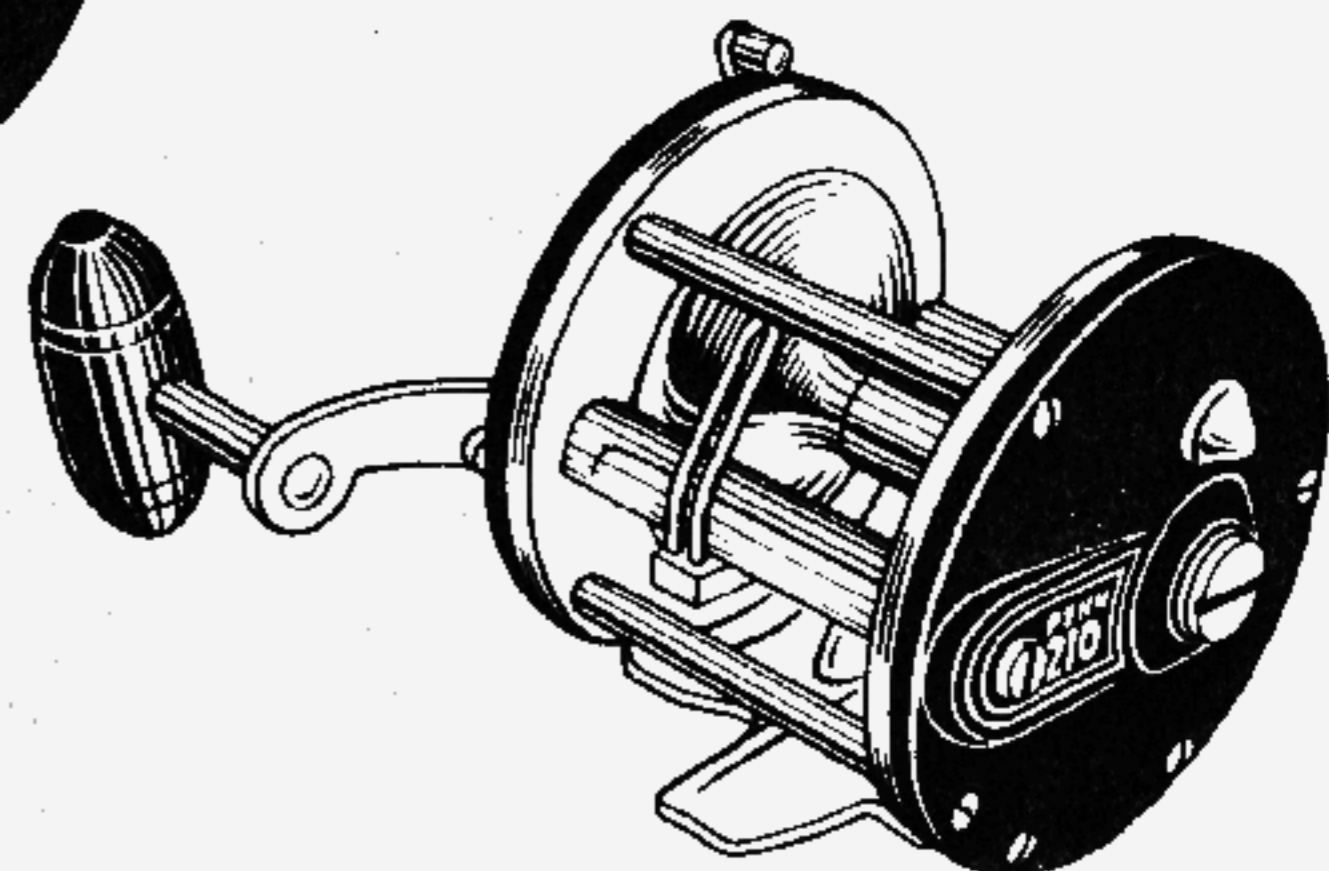
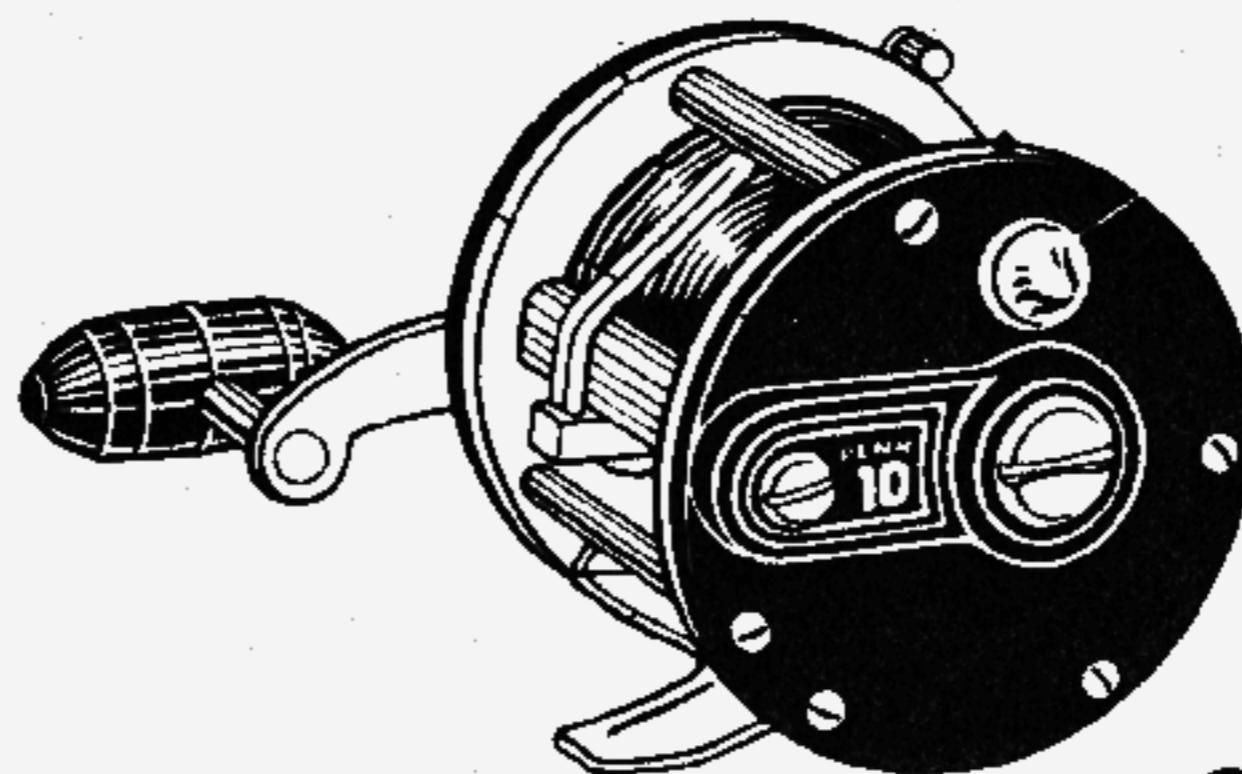
Light, Fast Retrieve Trolling and Casting Reel.

Penn Mag Tuned™ 10

Penn combines its renowned level wind and star drag systems with its revolutionary space-age Mag Tuned™ anti-backlash system for remarkably long casts that are snarl-free. The 4-1 gear ratio and 275 yds. capacity of 15 lb. test mean exceptional versatility in freshwater and saltwater. And for '86, this reel features selective anti-reverse for direct drive action. Spool width 1¹³/₁₆" black anodized aluminum. Ball bearing action, easy-to-handle 14 oz. weight, reinforced fiberglass side plates. It all adds up to the perfect fishing "10".

High Speed Level Wind Series Specifications

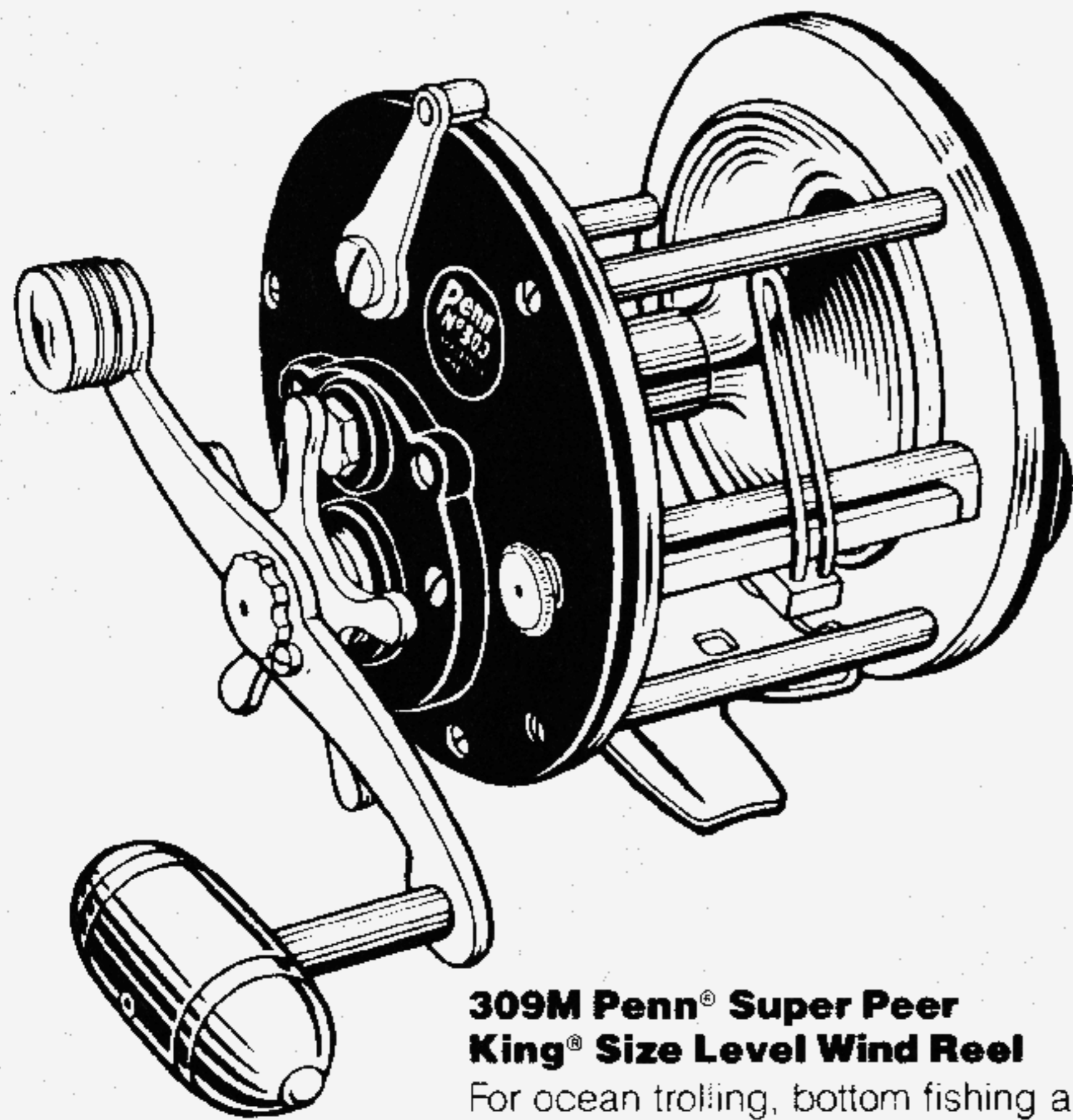
MODEL	LINE CAPACITY (YDS/MONO)	GEAR RATIO	WEIGHT (OZ)	SPOOL WIDTH
210MS	350/20	4-1	21	2 ¹ / ₈ "
210MF	350/20	4-1	20	2 ¹ / ₈ "
210LS	275/20	4-1	20	2 ¹ / ₈ "
Mag Tuned™ 10	275/15	4-1	14	1 ¹³ / ₁₆ "



Penn 210MS

Deluxe stainless steel ball bearings, reinforced fiberglass side plates, deluxe stainless steel spool (350 yds./20 lb.), famous star drag system and positive level wind. Ready for fast retrieves with a 4-1 gear ratio, warning clicker, larger stand for saltwater rods. Weight 21 oz.

14



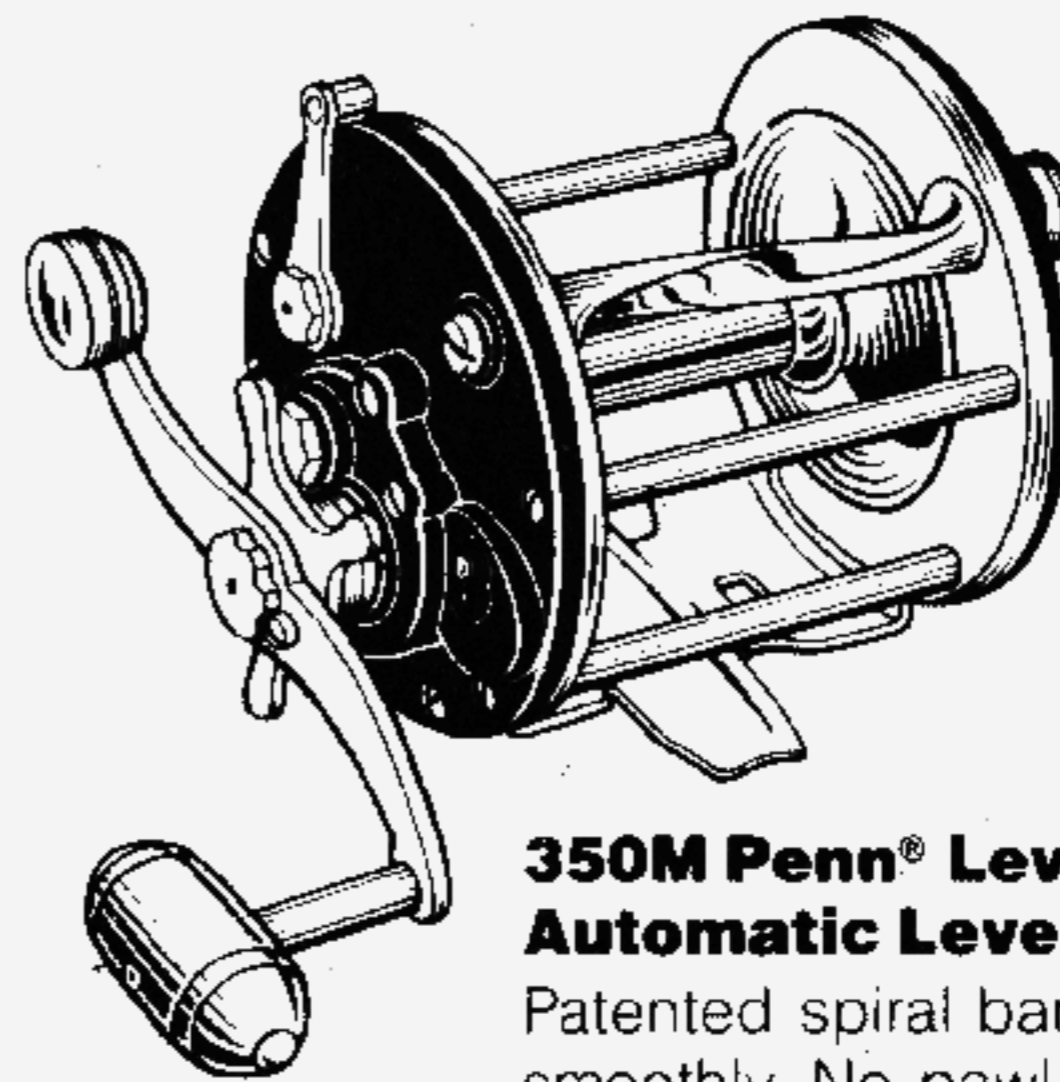
309M Penn® Super Peer King® Size Level Wind Reel

For ocean trolling, bottom fishing and fresh water game-fishing. Large capacity reel with Positive Level Wind Control features sturdy stainless steel spool. Super smooth Penn Star drag system with brake lining. Rod clamps supplied. Torpedo handle, Approx. cap. 350 yds./30 lb. mono. Fast gear ratio 3 to 1. Plate diameter 3 5/8." Spool width 2 1/8." Weight 26 oz.

Level Wind Series Specifications

MODEL	LINE CAPACITY (YDS/MONO)	GEAR RATIO	WEIGHT (OZ)	SPOOL WIDTH
309M	350/30	3-1	26	2 1/8"
350M	300/30	3-1	20	2 7/16"
209MS	350/20	3-1	19.5	2 1/8"
209MF	350/20	3-1	19.5	2 1/8"
9	275/15	3-1	13	1 13/16"
109	275/15	3.75-1	11.5	1 13/16"

Left Hand Versions Available On 9, 109 & 209



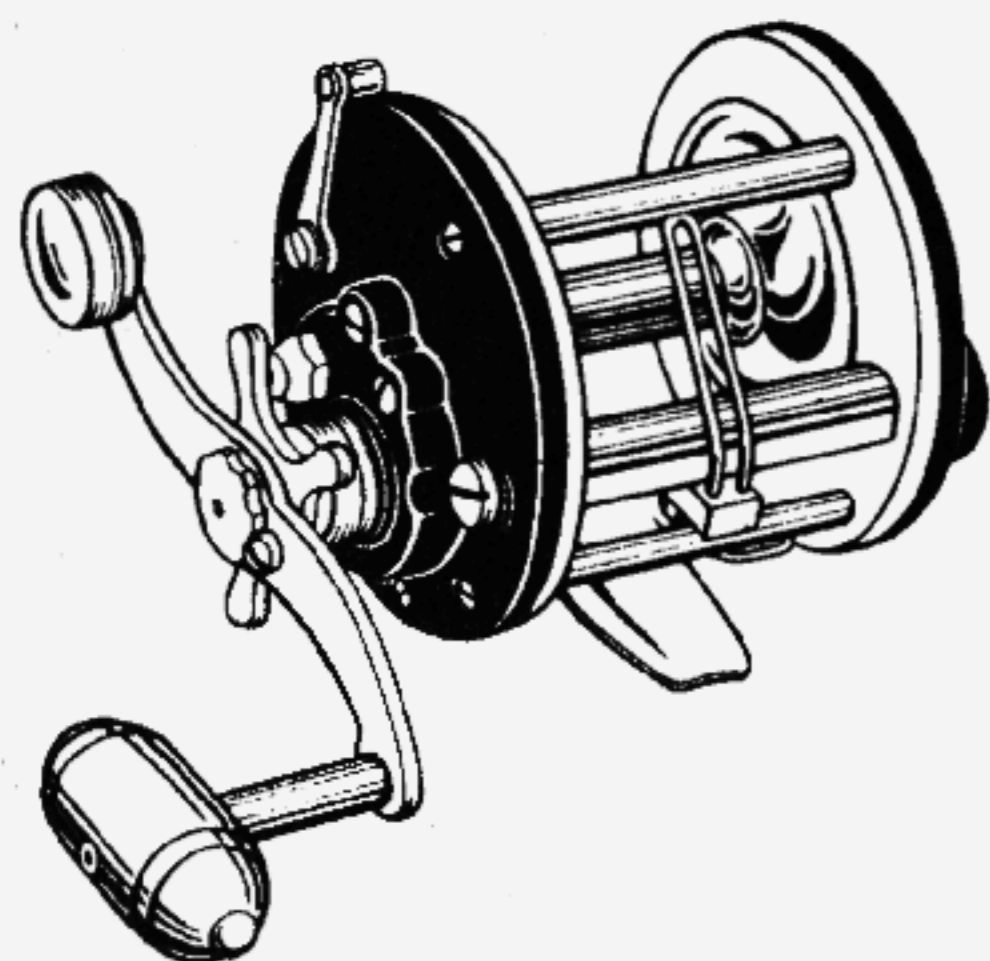
350M Penn® Leveline® Automatic Level Wind Reel

Patented spiral bar automatically lays line smoothly. No pawl, worm or line guide to wear out. Stainless steel spool. Full range star drag system. Free spool action. Spiral bar disengages for casting. Torpedo handle. Approx. cap. 300 yds./30 lb. mono. Plate diameter 3-1/16." Spool width 2-7/16." Weight 20 oz. Rod clamp included.



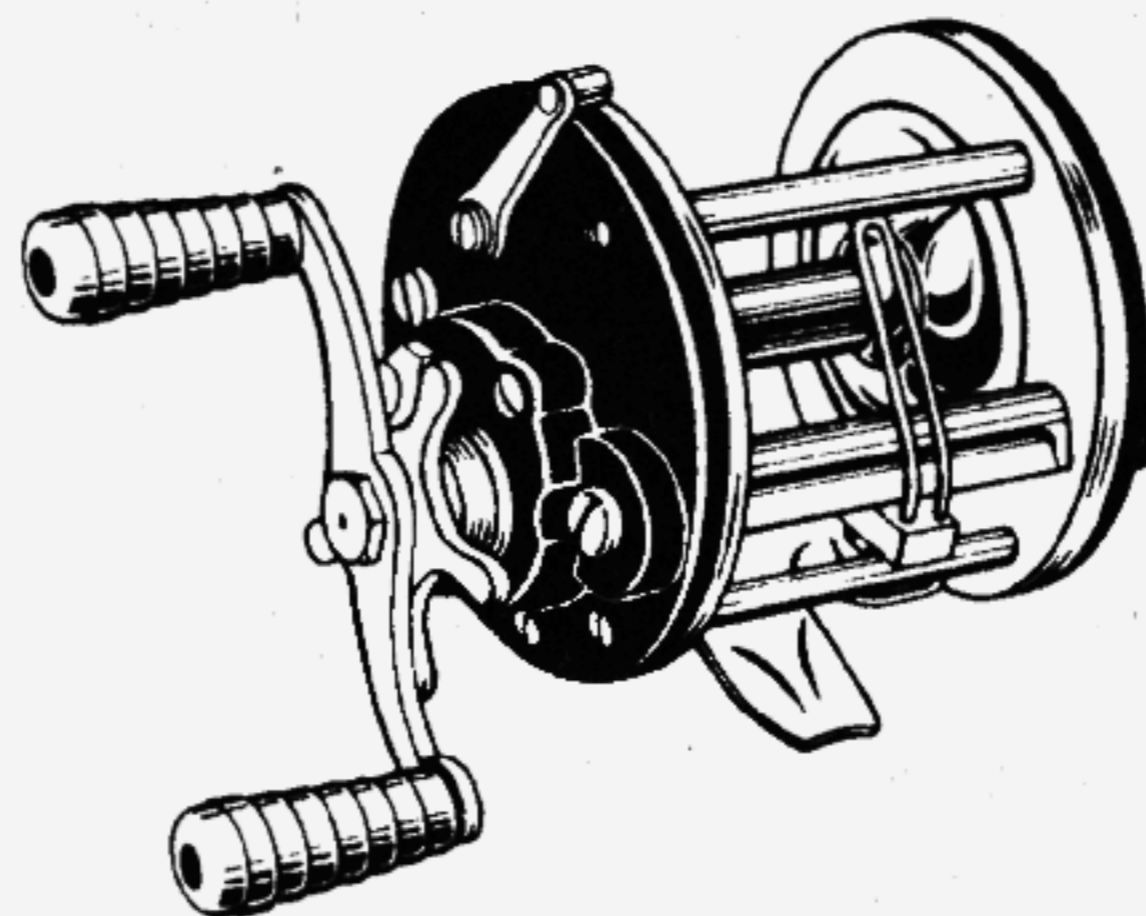
Level Wind Reels

Extra Rugged, Powerful Fresh & Salt Water Reels.



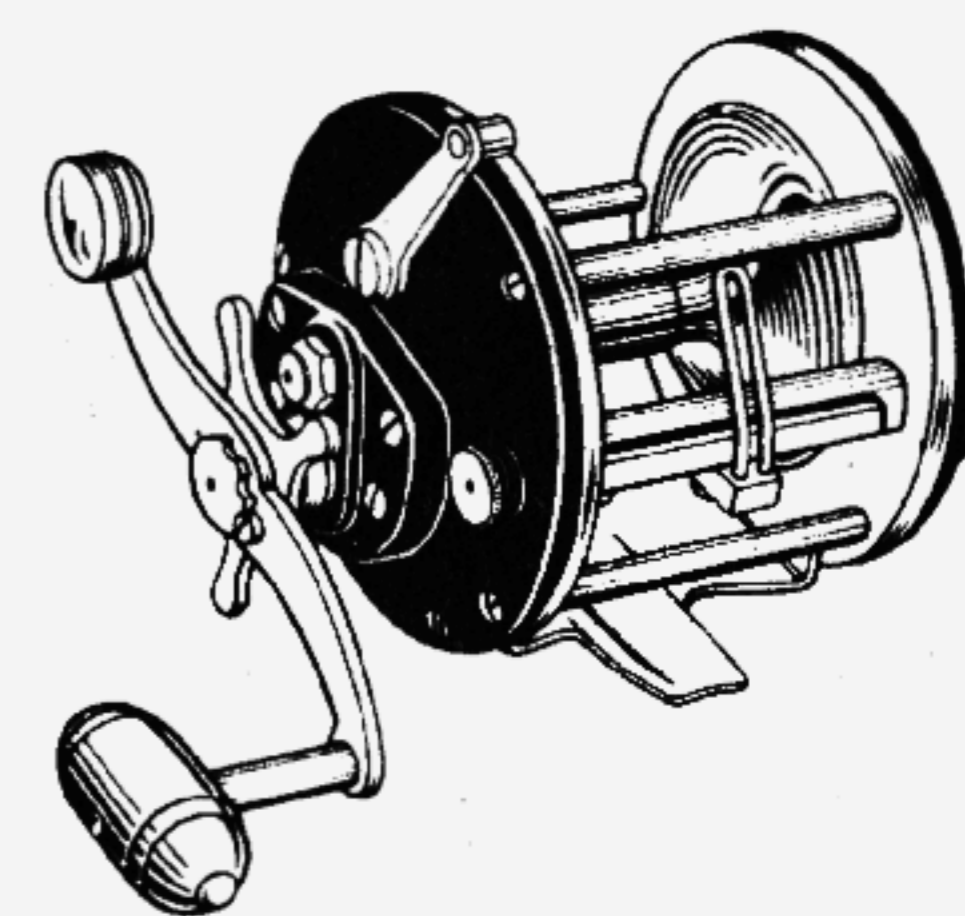
9M Penn Level Wind Reel

Full range star drag, precision fitted chrome-plated brass spool, torpedo handle, level wind with free spool action. Spare pawl supplied. Spool takes approx. 275 yds./15 lb. mono. Gear ratio 3 to 1. Plate diameter 2 5/8." Spool width 1-13/16." Has 2 3/8" reel stand for fresh water rods. Weight 12 oz.



109M Penn Level Wind Reel

Very fast retrieve, sturdy star drag, positive level wind with modified free spool action. Sliding warning clicker. Double handle turns when casting. Sturdy chrome-plated brass spool takes approx. 275 yds./15 lb. mono. Gear ratio 3 3/4 to 1. Plate diameter 2 5/8." Spool width 1-13/16." Weight 12 oz. Reel stand fits fresh water rods.



209MS Penn Level Wind Reel

Large capacity and extra strong level wind design combined with reinforced stainless steel spool for big catches. Torpedo handle. Smooth star drag. Full free spool action. Rod clamp and spare pawl supplied. Approx. cap. 350 yds./20 lb. mono. Gear ratio 3 to 1. Plate diameter 3-1/16." Spool width 2 1/8." Supplied with reel stand for salt water rods. Weight 19 1/2 oz.



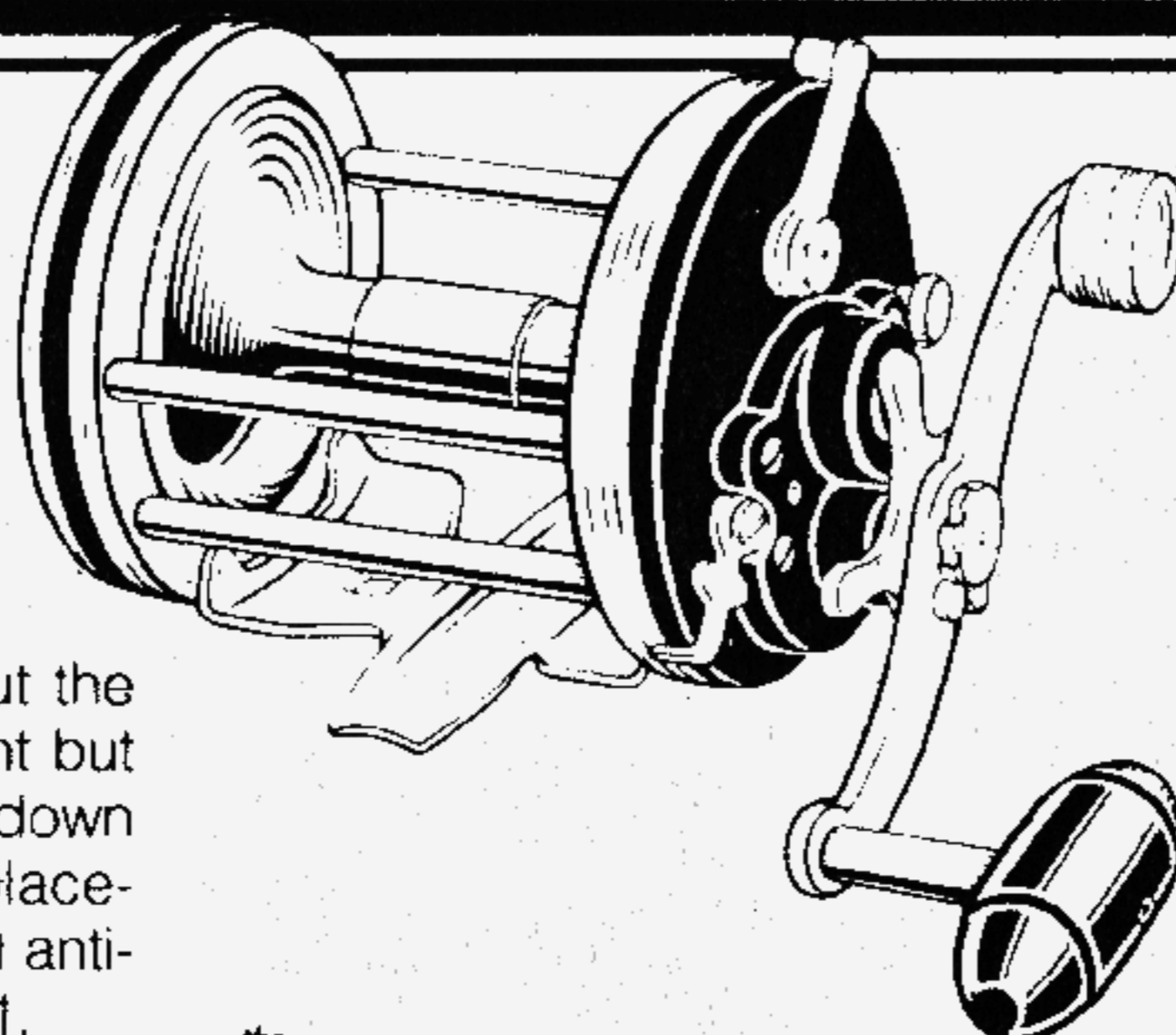
Squidder® Take-Apart Reels

Deluxe Ball Bearing Series.

These deluxe, ball bearing reels combine tournament grade casting performance with the rugged strength to take a big fish to task!

Popular with fishermen throughout the world, Penn Squidders feature light but strong frames, single-screw take down for easy servicing and spool replacement, one-shot lubrication, optional anti-reverse and gear ratios of 3-1/3 to 1.

In addition, each reel is equipped with Penn's warning click system to tell you when the fish is taking the line. Spools are interchangeable, depending on model size, to give you the edge under all fishing conditions.



*the
Fighting Reel
for Fighting
Fish*



140L Penn Squidder® With Black Anodized Aluminum Spool

Features deluxe stainless steel spool. Penn quality materials and workmanship plus ball bearings provide tournament casting smoothness. Optional anti-reverse lever. Triple chrome plating. Strong side plates with chrome plated brass inside rings. Gear ratio 3-1/3 to 1. One-screw take-apart for quick spool change. Approx. cap. 400 yds./20 lb. mono. Spool width 2-7/16." Plate diameter 2 3/4." Weight 18 oz.

Specifications

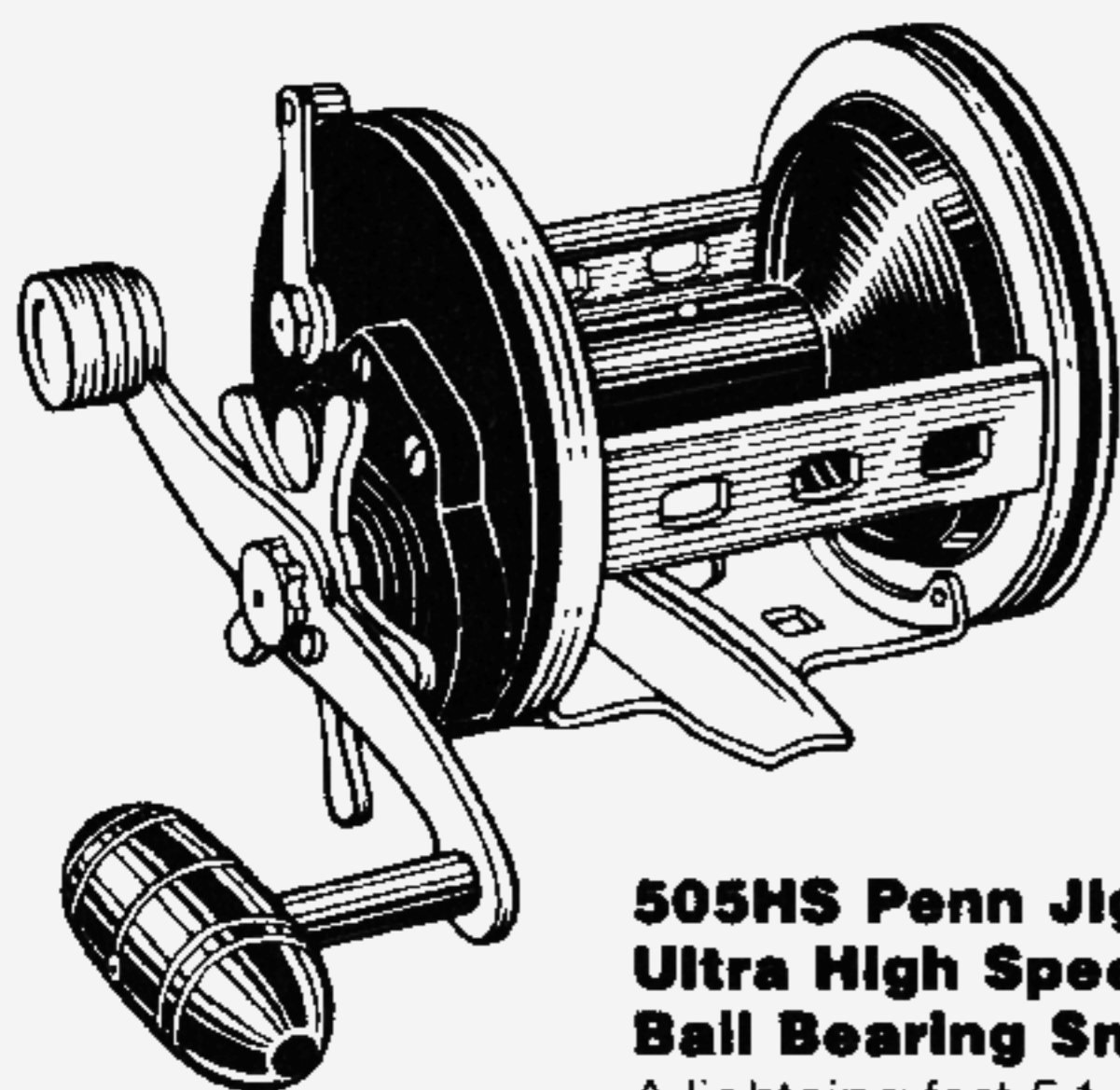
MODEL	140L	146L
GEAR RATIO	3-1/3 1	3-1/3 1
SPOOL WIDTH	2-7/16"	1-5/8"
LINE CAP (MONO)	350/20 250/30	275/12 220/20
WEIGHT	18 oz	16 oz

Left Hand Versions Available



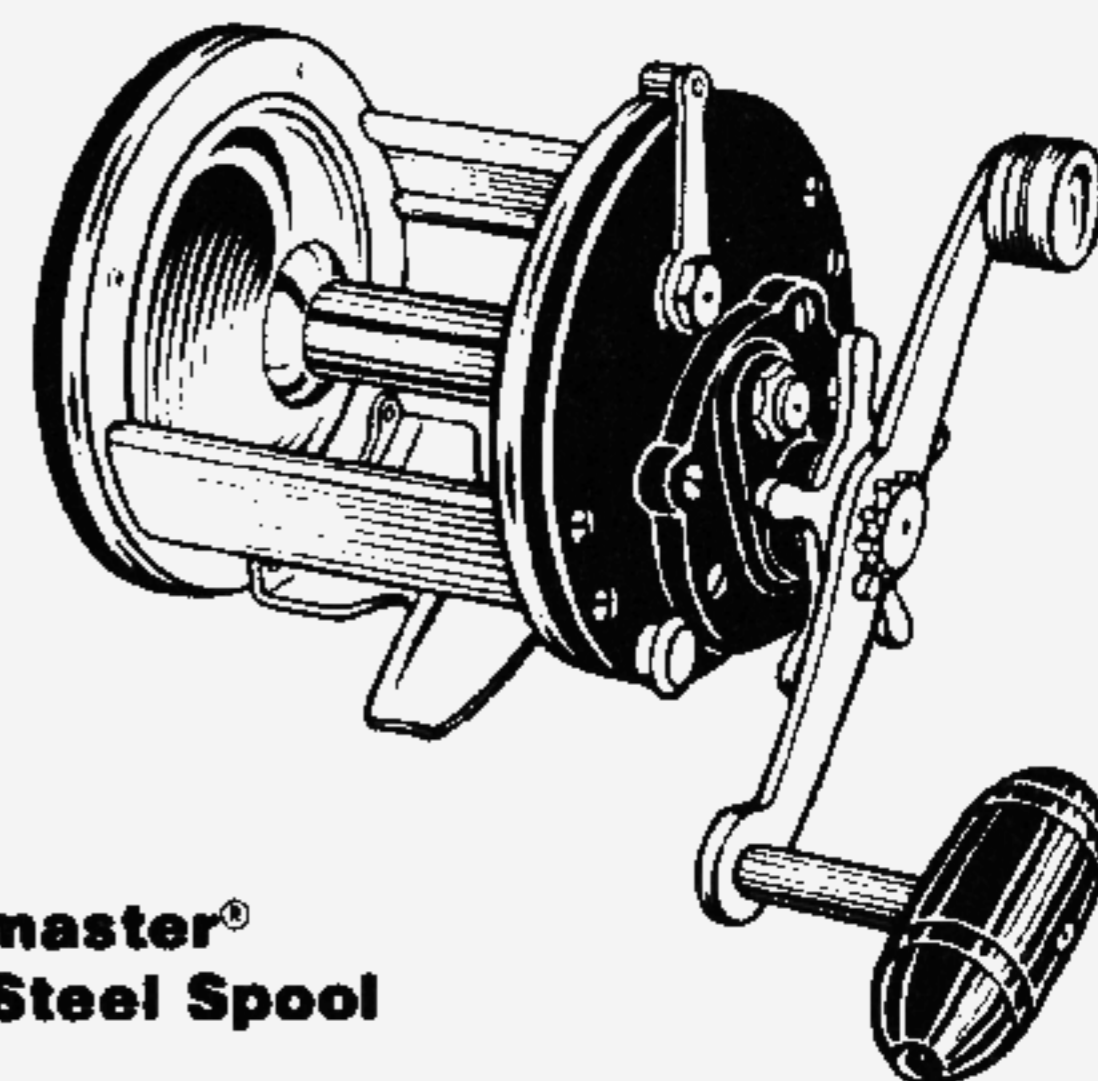
Jigmaster® Take-Apart Reels

Universal Surf & Boat Reels.



505HS Penn Jigmaster® Ultra High Speed And Ball Bearing Smoothness

A lightning fast 5-1 gear ratio makes this the quickest Penn conventional reel yet. Ball bearings, beefed-up side plates and new drag material give the 505HS Jigmaster® even more smoothness and strength. Rod clamp supplied. Black anodized aluminum spool. Gear ratio 5-1. Approx. capacity 275 yds./30 lb. mono. Weight 24 oz.



500M Penn Jigmaster® With Stainless Steel Spool

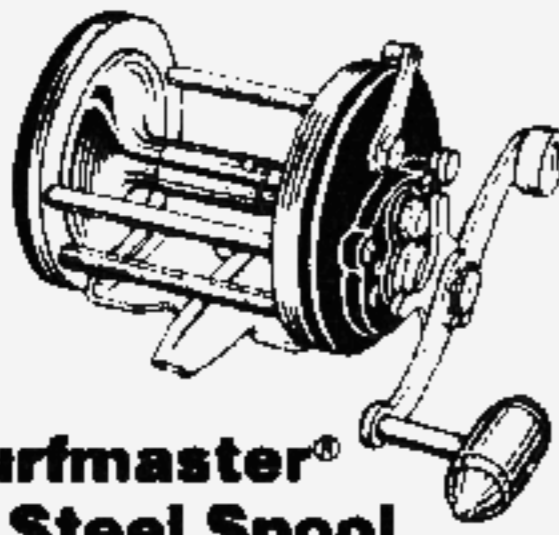
JigMaster® Series Specifications

MODEL	LINE CAPACITY (YDS/MONO)	GEAR RATIO	WEIGHT (OZ)	SPOOL WIDTH
505HS	275/30	5-1	24	2 7/16"
500L	275/30	4-1	22	2 7/16"
500M	300/30	4-1	24	2 7/16"
501L	350/12	4-1	21	1 5/8"
501M	500/12	4-1	21	1 5/8"

Left Hand Versions Available On 500L And 500M

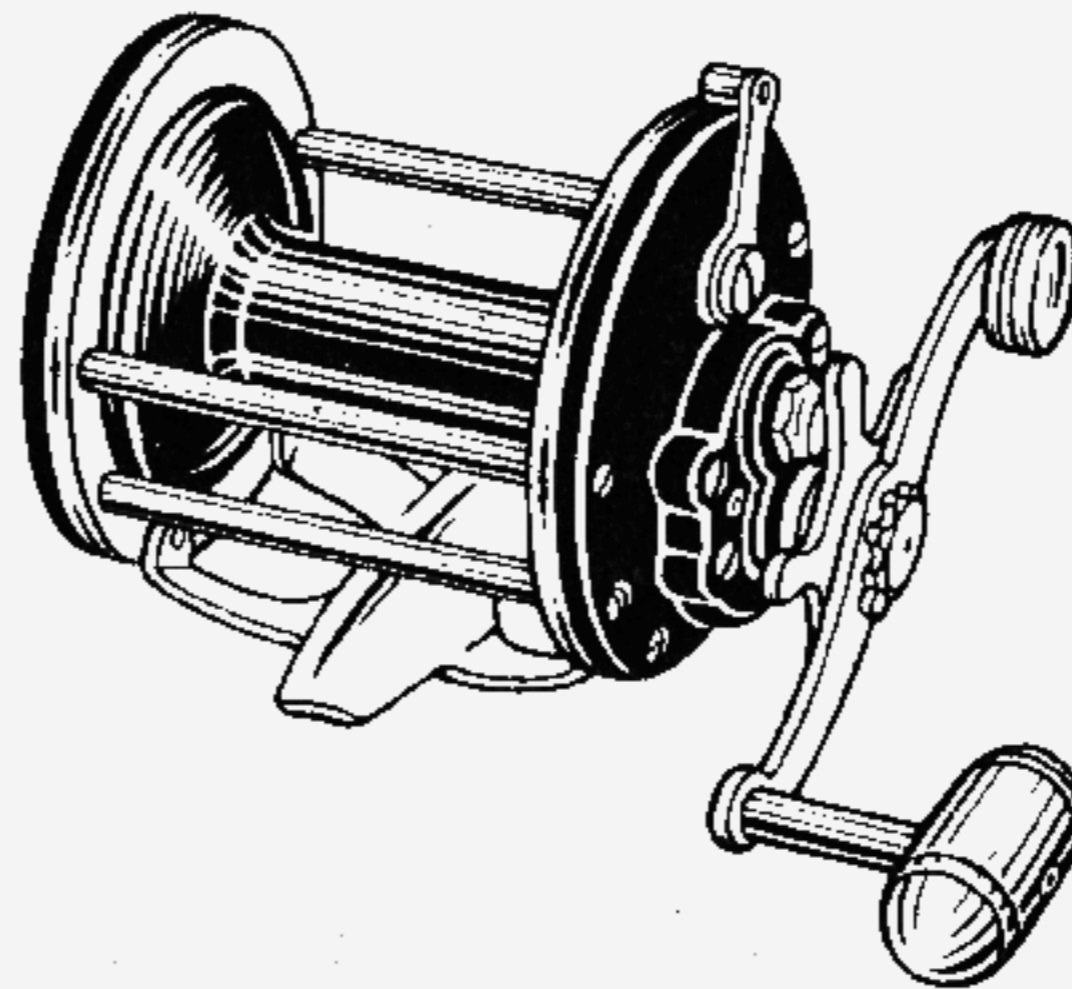


Beachmaster® & Surfmaster® Universal Surf & Boat Reels.



200M Penn® Surfmaster® With Stainless Steel Spool

This reel holds more line and is stronger due to its stainless steel spool. Chrome-plated inside plate rings for extra strength. Smooth "Star" drag with free spool action. Rod clamp supplied. Counterbalanced handle with torpedo grip. Approx. cap. 300 yds./30 lb. mono. Gear ratio 3 to 1. Plate diameter 2¾". Spool width 2-7/16". Weight 19½ oz.



155L Penn Beachmaster® Now With Anodized Aluminum Spool

This reel is the choice of anglers coast to coast. Features precision die cast black anodized aluminum spool. Has full-range "Star" drag system. Free spool action. Sliding click. Chrome-plated brass inner rings to protect side plates. Chrome-plated counterbalanced handle. Strong reel stand. One-shot lubrication system. Gear ratio 3 to 1. Spool width 2-7/16". Line capacity approx. 250 yds./30 lb. mono. Weight 14 oz.

BeachMaster® Series Specifications

MODEL	LINE CAPACITY (YDS/MONO)	GEAR RATIO	WEIGHT (OZ)	SPOOL WIDTH
155L	250/30	3-1	14	2 ⁷ / ₁₆ "
155M	300/30	3-1	16	2 ⁷ / ₁₆ "
160L	175/30	3-1	13	2 ¹ / ₈ "

Left Hand Versions Available On 155L And 160L

SurfMaster® Series Specifications

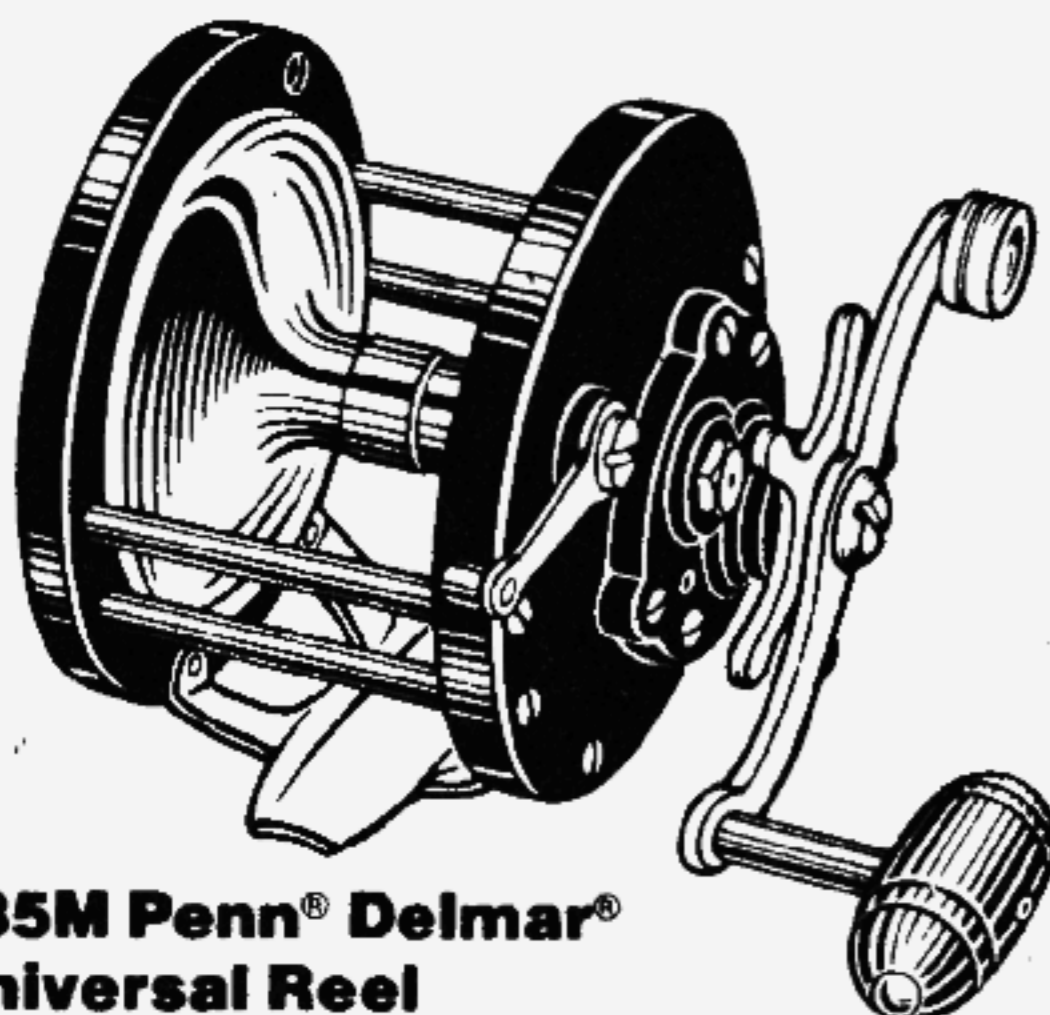
MODEL	LINE CAPACITY (YDS/MONO)	GEAR RATIO	WEIGHT (OZ)	SPOOL WIDTH
200L	250/30	3-1	19	2 ⁷ / ₁₆ "
150L	175/30	3-1	17.5	2 ¹ / ₈ "
100L	220/20	3-1	16.5	1 ⁵ / ₈ "

Left Hand Version Available On Model 200L

Every component Made and Assembled in U.S.A.

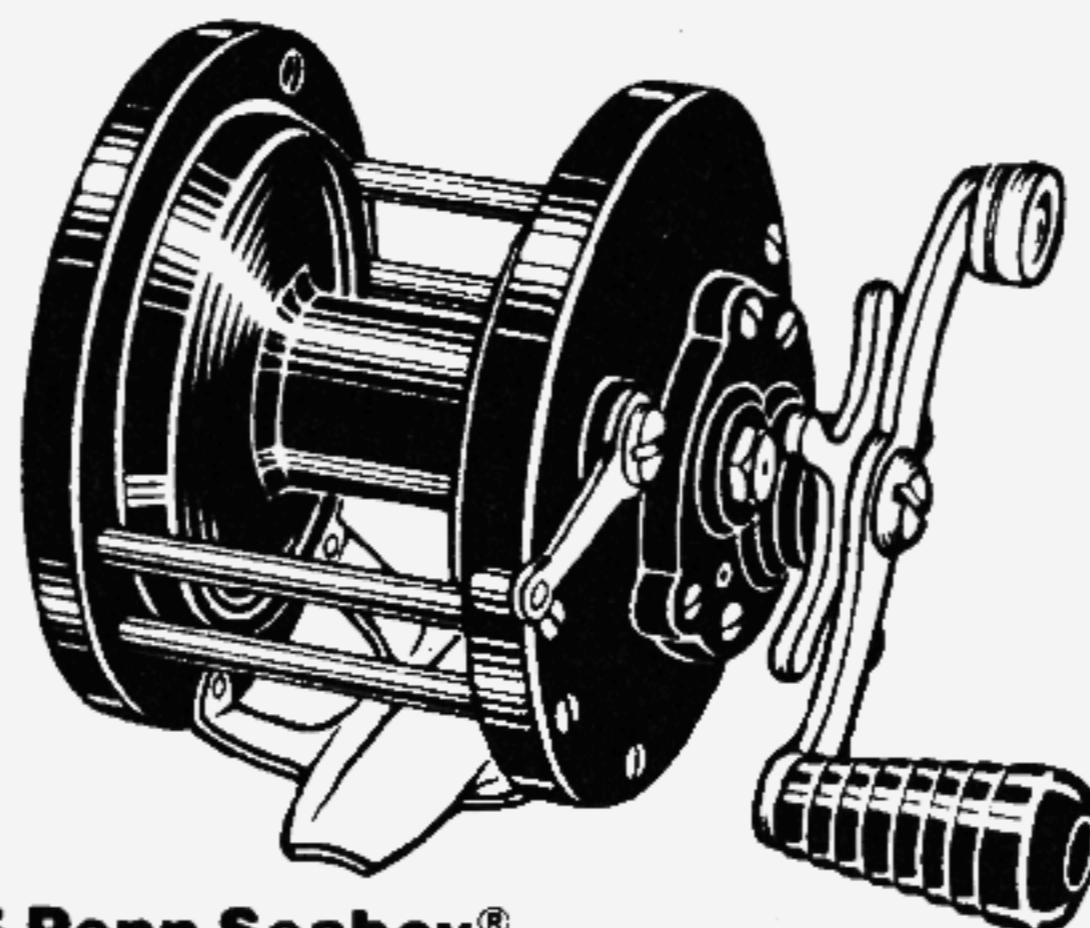


Light Tackle & Bay Reels Great for Fresh & Salt Water Fishing.



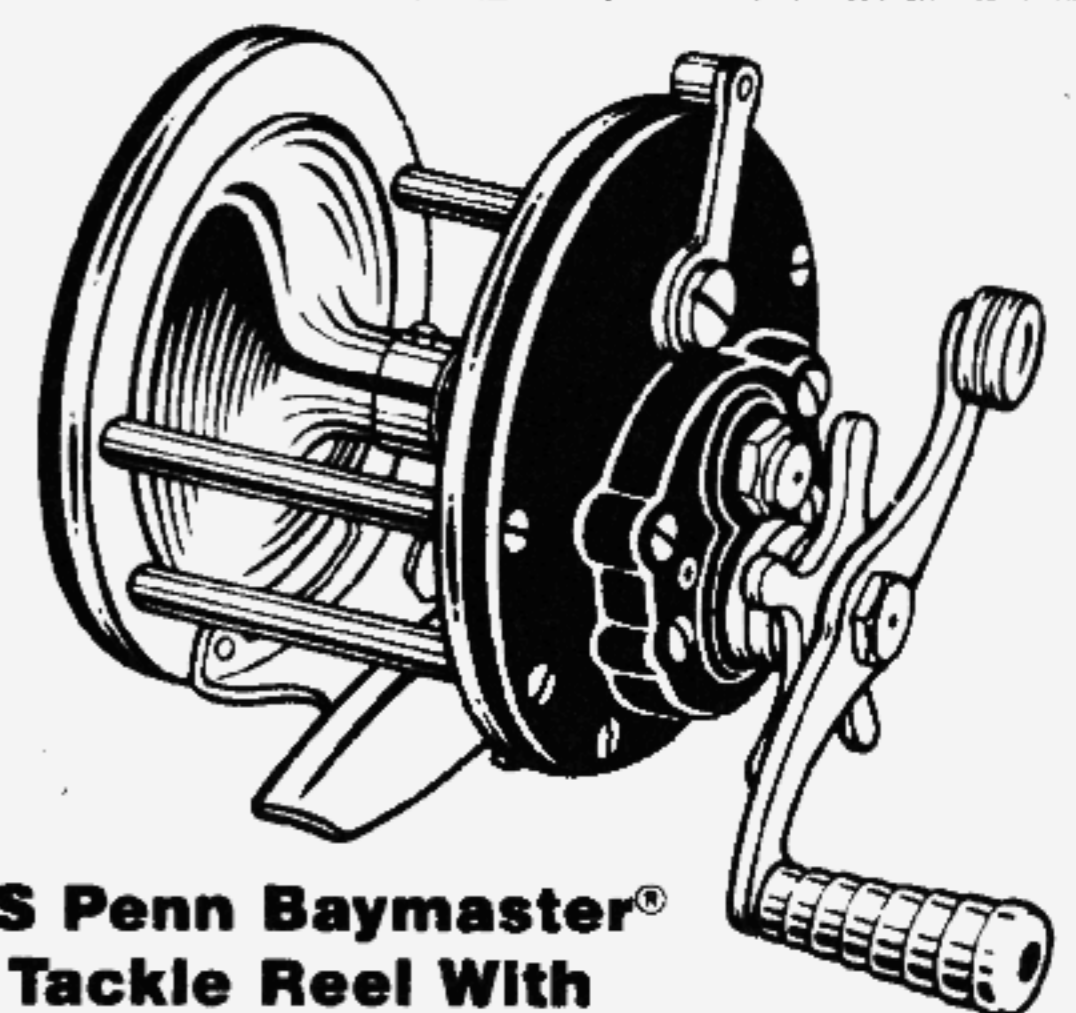
285M Penn® Delmar® Universal Reel

For bay, pier and bottom fishing. Features stainless steel spool for extra strength and durability. Double frame posts. Full-range "Star" drag—free spool action. Warning clicker. Strong gears. All exposed parts are of corrosion resistant brass or nickel plated brass. Torpedo, counterbalanced handle.



85 Penn Seaboy® With Plastic Spool

A favorite for salt water and inland river fishing. Low cost star drag model. Free spool action. Sliding click. Counterbalanced handle. All exposed parts are plated and corrosion resistant.



180MS Penn Baymaster® Light Tackle Reel With Deluxe Stainless Steel Spool

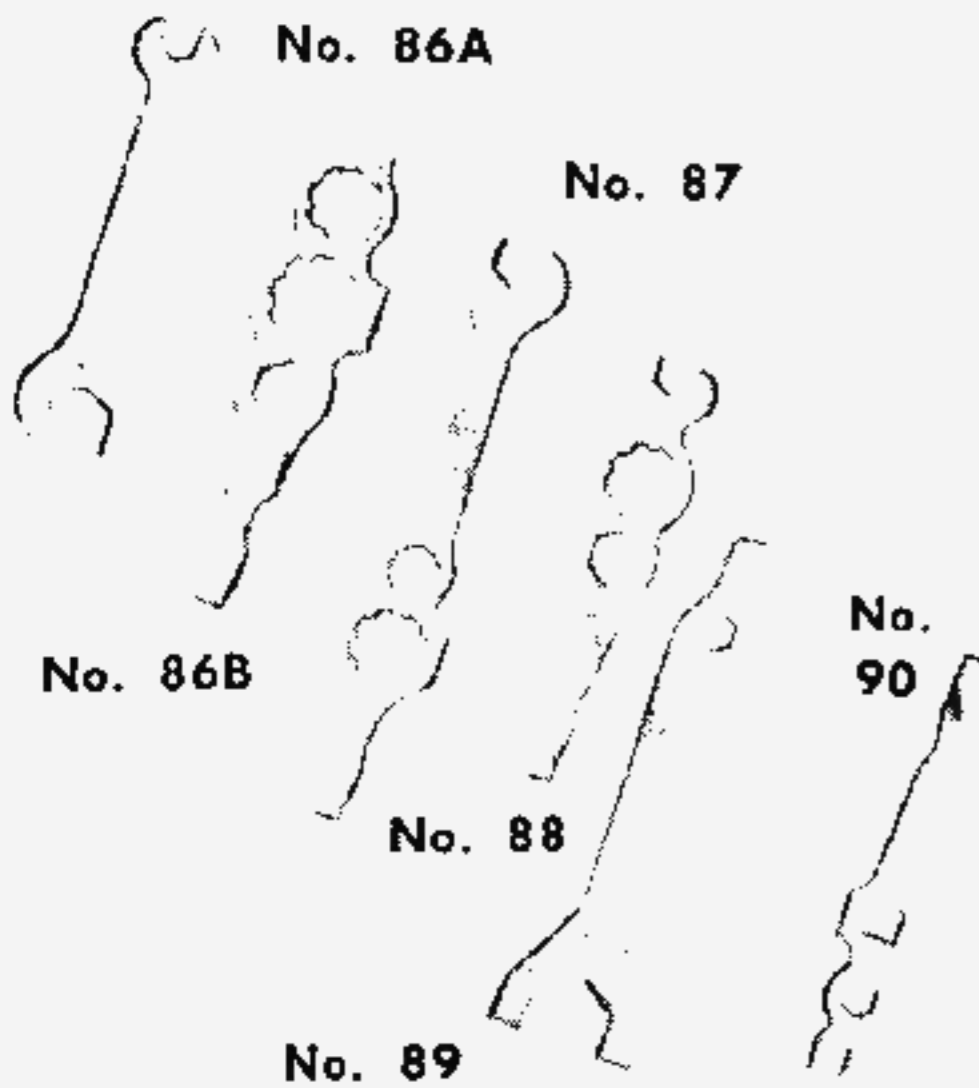
Strong stainless steel spool provides strength and better line capacity. Multi-disc drag, free spool action, one-shot lubrication. Warning clicker. Rigid frame. Counterbalanced handle.

Light Tackle & Bay Reels Specifications

MODEL	LINE CAPACITY (YDS/MONO)	GEAR RATIO	WEIGHT (OZ)	SPOOL WIDTH
285M	275/30	2.3-1	16.5	1 ¹³ / ₁₆ "
85	200/30	2.3-1	13.5	1 ¹³ / ₁₆ "
180MS	250/20	3-1	12.5	1 ⁵ / ₈ "

Left Hand Version Available On Model 285M

SERVICING WRENCHES



- No. 86A** Wrench for models No. 115 to No. 118 Senator Reels
- No. 86B** Wrench for models No. 114 to No. 118 Senator Reels
- No. 87** Wrench — Standard for all Penn Reel models from No. 60 to No. 113
- No. 88** Wrench for models No. 9 and No. 109
- No. 89** Wrench for models No. 700-701-702-704 Spinfisher Reels
- No. 90** Wrench for models No. 710-711-712-713 Spinfisher Reels
- No. 91** Wrench for All Levelmatic Reels

PENN CONVERTIBLE HANDLE FOR ADJUSTABLE LEVERAGE

These special Penn accessories give fishermen a choice of handle leverage on all Penn models up to 4/0 Senator, except 349. Selection of holes provide leverage of 2", 2½" or 3". Extra leverage makes pumping easy.

No. 24-55—3 holes, 1 7/8" torpedo knob
 No. 24-56—3 holes, 2 1/2" torpedo knob.
 No. 24-57 for 114-6/0 and 115-9/0 Senator Reels and 349 only. 2 3/4" knob. Has 2 1/4" and 3 1/8" leverage

INTERNATIONAL HANDLES

No. 24-20 No. 24-50
 No. 24-30 No. 24-80



Penn General Purpose Reel Lube

The world's finest specialty lubricant for most Penn and other fine conventional casting and trolling reels. The easy to use tube makes Penn's famous "one shot" lube system a breeze! Available in two sizes: Large .70 oz. tube (#224) or Regular .25 oz. tube (#24).

SPECIAL RINGED ROD CLAMPS TO PREVENT LOSS

Permits fastening standing halyard to rod clamp. Keeps tackle from falling overboard.

No. 33R-49
 No. 33R-200
 No. 33R-114
 No. 33R-116

For use with oversized reel stands
 No. 33R-116 oversized
 No. 33R-117 oversized
 Oversize bolts 2" long for oversized reel seats



INTERNATIONAL REELS

No. 33R-20
 No. 33R-30
 No. 33R-50
 No. 33R-80
 No. 33R-130



Penn Blue Grease

Specially formulated for gear teeth and internal moving parts. Prevents corrosion too. Won't melt down when reel gets hot. A "must" for all fishermen. Handy 2 oz. jar (#227). 21



HT 100™ Drag Washers

Penn's Revolutionary New Drag Material

After years of intensive research, Penn is proud to feature a new, revolutionary friction drag material in just about all Penn reels. Called HT100™, this exclusive drag material is smooth, durable and resists all kinds of contaminants like water, dirt, salt, grease and oil.

HT100™ washers resist sustained compression, or sticking together, and a Penn reel containing the HT100™ drag system maintains a wide range of settings. When the heat's on, an HT100™ drag won't burn out or cause the reel to freeze up, even on the searing runs of the largest fish. In short, Penn's HT100™ drag material contains all of the good qualities of traditional drag materials but none of their bad qualities. HT100™ is Penn's perfect drag material.

Replacement HT100™ drag washers are available from your local Penn dealer or direct from Penn, but be sure to specify that you would like replacement HT100™ washers. You'll recognize these lightweight washers by their gray color and textured or woven-like appearance. These washers will cost approximately 50% more than old style washers, but the extra cost is well worth it. HT100™ offers everything in performance and durability for all types of fishing.

For best results, Penn recommends that you use only plated metal or stainless steel washers with the HT100™ drag washers (no raw brass metal washers).

On some medium-size conventional Penn reels, HT100™ drag washers may be too thick to allow all of the washers to fit into the main gear. If that's the case with your reel, simply file down the spacing sleeve (part #9) in very small increments, or order an undersize spacing sleeve.

Most of the Penn Senator® models require more HT100™ and metal washers than the old style drag system. More drag elements means more drag surface, which in turn means an even wider range of settings, better heat dissipation and a more durable Senator® drag.

Handy HT100™ conversion kits for popular Penn reels are available from your local Penn dealer. Included in the kits are HT100™ drag washers, metal washers and diagrams.

Try HT100™ drag washers—we know you'll like them!

HT100 Drag Kits

6-60 SP—for 60-65, 140-146, 100-200, 85-285, 10, etc.

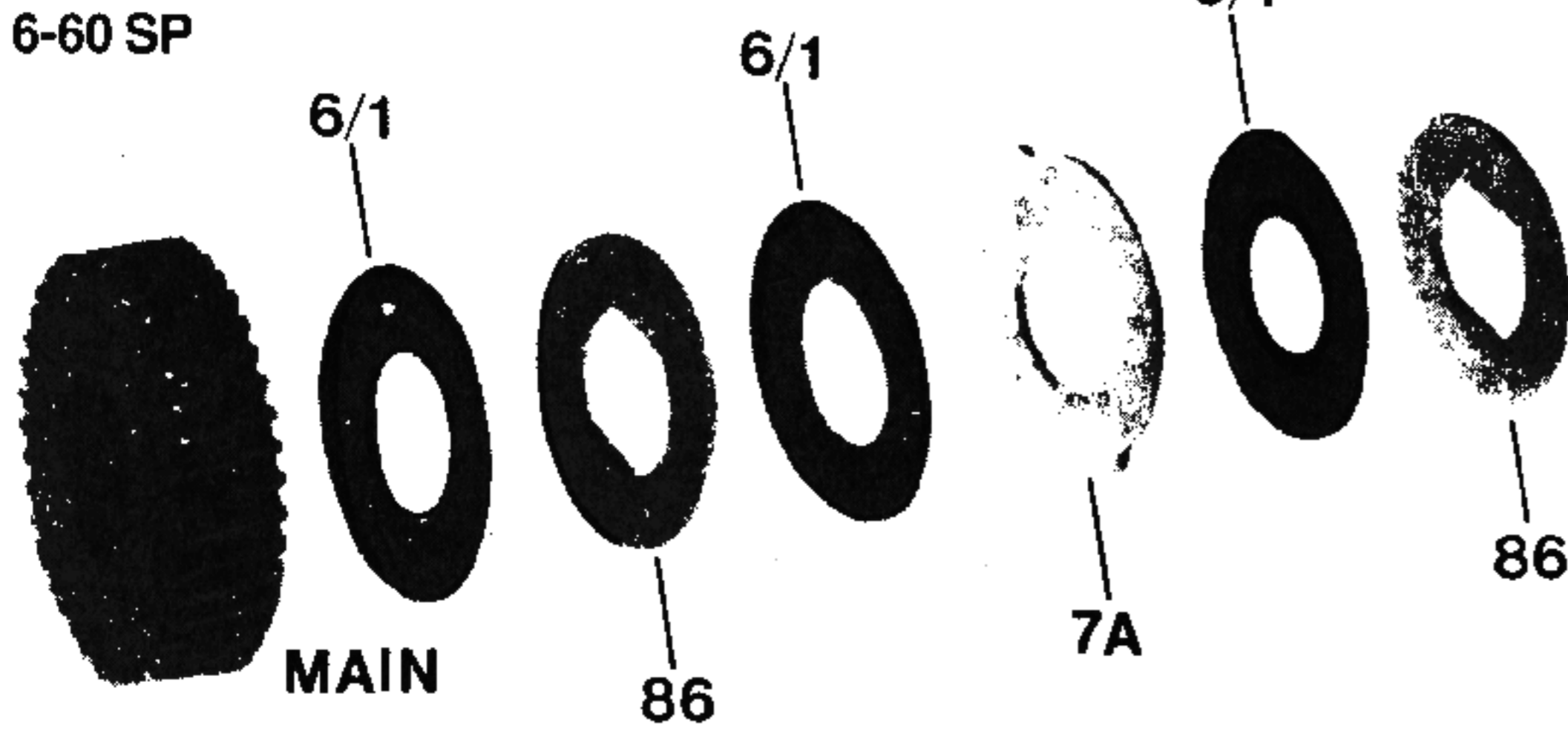
6-309 SP—for 500, 501, 505HS, 210, 309, 112H.

6-155 SP—for 155-160, 9-109-209, 180,350, etc.

6-113H SP—for 113H, 113HL, 113HLW, 349H, etc.

6-114H SP—for 114H, 114HL, 115.

STACK UP OF HT100 DRAG WASHERS FROM TOP WASHER TO MAIN GEAR



116A-116
 9-116*
 8-116
 86-116
 6/1-116
 7A-116
 6/1-116
 86-116
 6/1-116
 7A-116
 6/1-116
 86-116
 6/1-116
 7A-116
 6/1-116
 86-116
 6/1-116
 7A-116
 6/1-116
 86-116
 6/1-116
 MAIN GEAR

117-118
 8-117
 86-117
 6/1-117
 7A-117
 6/1-117
 86-117
 6/1-117
 7A-117
 6/1-117
 86-117
 611-117
 7A-117
 6/1-117
 86-117
 6/1-117
 6/1-118**
 MAIN GEAR

113H Series
 86-113H
 6/1-113H
 7A-970
 6/1-113H
 86-970
 6/1-113H
 7A-970
 6/1-113H
 86-970
 6/1-113H
 MAIN GEAR

114
 86-114HV
 6/1-114
 7A-114
 6/1-114
 86-114LT
 6/1-114
 7A-114
 6/1-114
 86-114LT
 6/1-114
 MAIN GEAR

114H Series
115 Series
 86-115
 6/1-115
 7A-115
 6/1-115
 86-115
 6/1-115
 7A-115
 6/1-115
 86-115
 6/1-115
 MAIN GEAR

*9-116 is a new part for 116A-116.
 **6-118, old style drag washer, is only a shim or filler washer for existing main gears. Future 117 main gears will not need this washer.

SERVICE OUT OF WARRANTY

Your local Penn dealer can provide fast and convenient service for your Penn reel. You may also return it to Penn for service. Send it insured and include a short note with your reel stating the problem. To avoid errors, please print your name and address clearly on the package and allow approximately three weeks for Penn to receive, service and return your reel. A reasonable charge will be made for parts, labor and return postage. You can also request MasterCard or Visa payment. Please provide card type, name, account number, expiration date and daytime telephone number when sending in your reel.

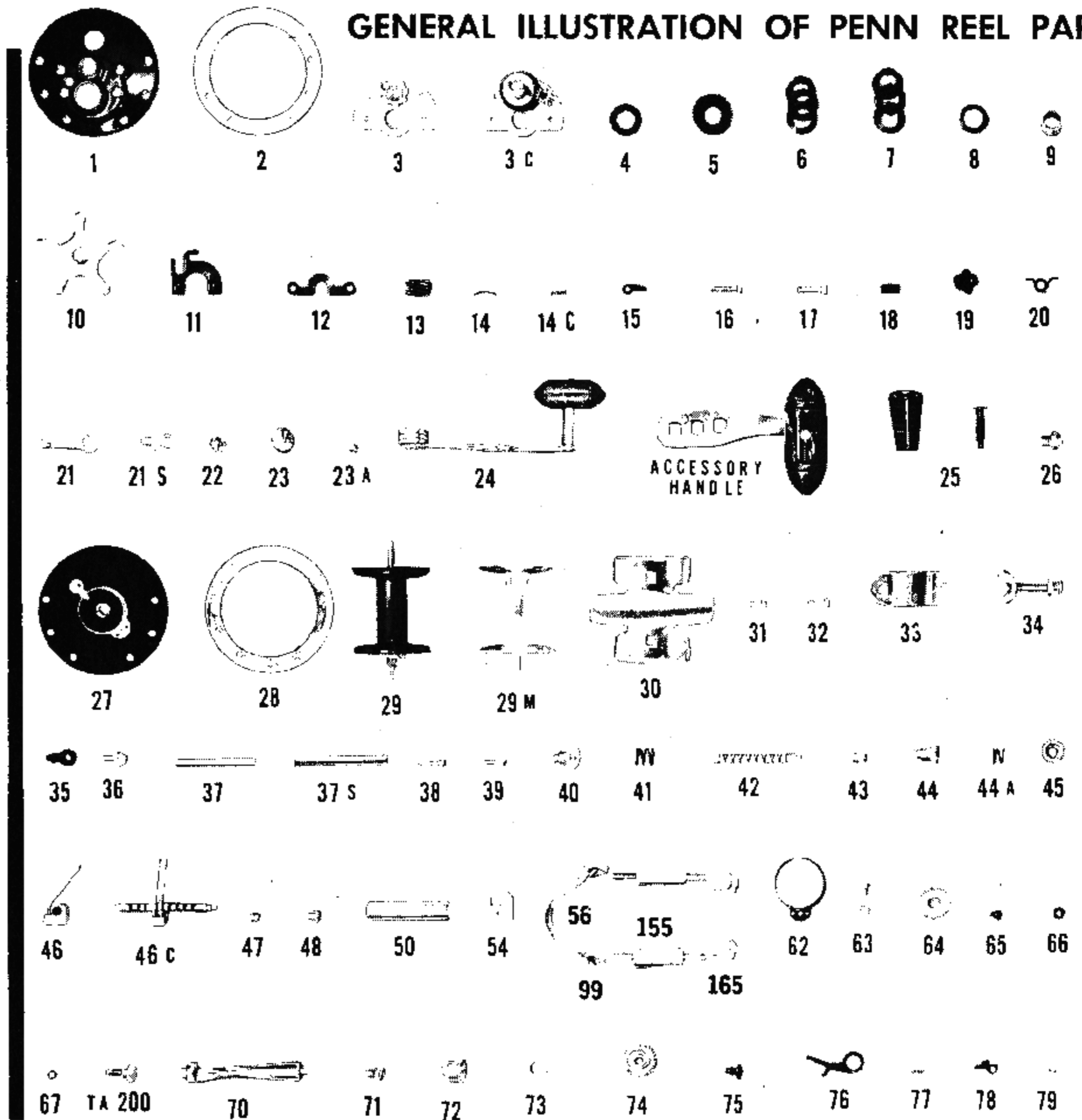
HOW TO ORDER PENN REEL PARTS

1. State reel model for which parts are intended.
2. Order parts by name and number.
3. An invoice will then be sent showing part prices plus shipping and handling charges.
4. Send in your remittance to receive your parts order (do not send cash).
5. For faster service we suggest you see a local dealer stocking Penn parts.
6. For telephone parts orders, call Philadelphia at (215) 229-9415.

www.PENNparts.com

Scott's Bait & Tackle
 Penn Parts Dept.
 945 Radio Road
 Tuckerton NJ 08087
 (609) 296-1300
 No Minimum Order!
 Plus, Parts in stock that Penn doesn't carry anymore.

GENERAL ILLUSTRATION OF PENN REEL PARTS



PENN REELS—SERVICE PARTS

PLEASE SEE PARTS ILLUSTRATIONS

Reel No.	1— Plate Rt. Side	2— Ring Right Side		3— Bridge W/Sleeve	4— Washer Fibre	5— Gear Main	6— Washer Drag	7— Disc Set (Metal)
	Part No.	Part No.	Part No.	Part No.	Part No.	Part No.	Part No.	Part No.
9	1-9	2-109	3-9	4-155	5-109	6/1-155	7-155
10	1-10	2-10	3-10	4-155	5-10	6/1-60	7-60
49	1-49	2-49-0	2-49-I	3-49	4-60*	5-49	6/1-49	7-49
60	1-60	2-60	3-66	4-60	5-60	6/1-60	7-60
65	1-60	2-60	3-66	4-60	5-60	6/1-60	7-60
66	1-66	2-66	3-66	4-60+	5-66	6/1-113	7-60
67	1-67	2-66	3-66	4-60+	5-66	6/1-113	7-60
68	1-68	2-66	3-66	4-60+	5-66	6/1-113	7-60
77*	1-77	5-77
78*	3-78	5-78
85	1-85	3-85	4-155	5-60	6/1-60	7-60
99	2-99	3-99	4-60	5-60	6/1-60	7-60
100	1N-100	2-200	3-200	4-155	5-60	6/1-60	7-60
109	1-109	2-109	3-109	4-155	5-109	6/1-155	7-155
110*	1-110	2-110-0	2-110-I	3-99	4-60	5-60	6/1-60	7-60
111*	1-111	2-111-0	2-111-I	3-66	4-60	5-66	6/1-113	7-60
112	1-112	2-111-0	2-111-I	3-66	4-60	5-66	6/1-113	7-60
112H	1-112H	2-112-H	2-112H-I	3-112H	4-60	5-500	6/1-309	7-500
113	1-113	2-113-0	2-113-I	3-113	4-60	5-113	6/1-113	7-60
113H	1N-113H	2-113H-0	2-113-I	3-113H	4-349	5-113H	6/1-113H	7-113H
114	1-114	2-114-0	2-114-I	3-114	4-114	5-114	6/1-114	7-114
114H	1N-114H	2-114H-0	2-114-I	3-114H	4-115	5-115	6/1-115	7-115
115	1-115	2-115-0	2-115-I	3-115	4-115	5-115	6/1-115	7-115
116A	1-116A	2-116-0	2-116-I	3-116	4-116	5-116	6/1-116	7-116
116	1-116	2-116-0	2-116-I	3-116	4-116	5-116	6/1-116	7-116
117	1-117	2-117-0	2-117-I	3-117	4-117	5-117	6/1-117	7-117
118	1-118	2-117-0	2-117-I	3-117	4-117	5-117	6/1-117	7-117
140	1N-140	2-200	3-200	4-155	5-60	6/1-60	7-60
145	1N-140	2-200	3-200	4-155	5-60	6/1-60	7-60
146	1N-146	2-200	3-200	4-155	5-60	6/1-60	7-60
149	1-149	2-149	3-149	4-60	5-149	6/1-60	7-60
150	1N-150	2-200	3-200	4-155	5-60	6/1-60	7-60
155	1-155	2-155	3-155	4-155	5-155	6/1-155	7-155
160	1-160	2-155	3-155	4-155	5-155	6/1-155	7-155
180	1-180	2-155	3-155	4-155	5-155	6/1-155	7-155
200	1N-200	2-200	3-200	4-155	5-60	6/1-60	7-60
209	1-209	2-209	3-155	4-155	5-155	6/1-155	7-155
210	1-210	2-210	3-210	4-60	5-500	6/1-309	7-500
285	1-285	3-66	4-60	5-60	6/1-60	7-60
309	1-309	2-309	3-309	4-60	5-500	6/1-309	7-500
349*	3-349	4-349
349H*	3-349	4-349
349HC*	3-349	4-349
350	1-350	2-350	3-155	4-155	5-155	6/1-155	7-155
500	1N-500	2-250	3-500	4-60	5-500	6/1-309	7-500
500S	1-500S	2-500S	3-500S	4-60	5-500	6/1-309	7-500
501	1N-501	2-250	3-500	4-60	5-500	6/1-309	7-500
505	1-505	2-250	3-505	4-60	5-505	6/1-309	7-500
506	1-506	2-250	3-505	4-60	5-505	6/1-309	7-500

*ALSO- 49
*ALSO- 66
SAME PRICE

*ALSO
LARGE
HOLE
6-118

*NOTE: 349-349H-349HC-77-78-110-111-500S PARTS ARE SUBJECT TO AVAILABILITY

*PRICES AND SPECIFICATIONS SUBJECT TO CHANGE WITHOUT NOTICE

PENN REELS—SERVICE PARTS

PLEASE SEE PARTS ILLUSTRATIONS

	8— Spring (Tension)	9— Sleeve Spacing	10— Star (Drag)	11— Jack Eccentric	12— Yoke Pinion	13— Pinion	14— Spring Dog	15— Dog
Reel No.	Part No.	Part No.	Part No.	Part No.	Part No.	Part No.	Part No.	Part No.
9	8-60	9-60	10-180	11-9	12-9	13-9	14-9	15-9
10	8-60	9-60	10-60	11-9	12-9	13-10	14-500	15-10
49	8-60	9-60	10-49	11-49	12-60	13-49	14-60	15-49
60	8-60	9-60	10-60	11-60	12-60	13-60	14-99	15-99
65	8-60	9-60	10-60	11-60	12-60	13-60	14-99	15-99
66	8-60	9-66	10-66	11-66	12-60	13-49	14-99	15-99
67	8-60	9-66	10-66	11-66	12-60	13-49	14-99	15-99
68	8-60	9-66	10-66	11-66	12-60	13-49	14-99	15-99
77*	13-77
78*	11-78	12-60	13-60
85	8-60	9-60	10-60	11-60	12-60	13-60	14-99	15-85
99	8-60	9-60	10-60	11-99	12-500	13-99	14-99	15-99
100*	8-60	9-60	10-60	11-200	12-155	13-200	14-155	15-200
109	8-60	9-60	10-180	13-109	14-109	15-109
110*	8-60	9-60	10-60	11-110	12-110	13-99	14-60	15-60
111*	8-60	9-111	10-60	11-60	12-60	13-49	14-99	15-99
112	8-60	9-111	10-60	11-60	12-60	13-49	14-99	15-99
112H	8-60	9-60	10-60	11-99	12-500	13-500	14-99	15-309
113	8-60	9-113	10-66	11-113	12-113	13-113	14-99	15-99
113H	8-349*	9-113H	10-349	11-113	12-60	13-113H	14-99	15-113H
114	8-114*	9-114+	10-114	11-114	12-114	13-114	14-114	15-114
114H	8-114*	9-114H	10-114	11-114	12-114	13-114H	14-114	15-114H
115	8-115*	9-115	10-114	11-115	12-114	13-114	14-116	15-115
116A	8-116	9-116	10-116	11-116	12-116	13-116	14-116	15-116
116	8-116	9-116	10-116	11-116	12-116	13-116	14-116	15-116
117	8-117	9-117	10-117	11-116	12-116	13-117	14-117	15-117
118	8-117	9-117	10-117	11-116	12-116	13-117	14-117	15-117
140	8-60	9-60	10-140	11-200	12-155	13-140	14-140	15-140
145	8-60	9-60	10-140	11-200	12-155	13-140	14-140	15-140
146	8-60	9-60	10-140	11-200	12-155	13-140	14-140	15-140
149	8-60	9-60	10-49	11-49	12-113	13-113	14-60	15-149
150	8-60	9-60	10-60	11-200	12-155	13-200	14-155	15-200
155	8-60	9-60	10-60	11-155	12-155	13-155	14-155	15-155
160	8-60	9-60	10-60	11-155	12-155	13-155	14-155	15-155
180	8-60	9-60	10-180	11-155	12-155	13-155	14-155	15-155
200	8-60	9-60	10-60	11-200	12-155	13-200	14-155	15-200
209	8-60	9-60	10-60	11-155	12-155	13-155	14-99	15-209
210	8-60	9-60	10-505	11-155	12-155	13-140	14-500	15-210
285	8-60	9-60	10-60	11-60	12-60	13-60	14-99	15-99
309	8-60	9-60	10-49	11-60	12-60	13-60	14-99	15-309
349*	8-349	10-349	11-349	12-349	14-349	15-349
349H*	8-349	10-349	11-349	12-349H	14-349	15-349
349HC*	8-349	10-349	11-349	12-349H	14-349	15-349
350	8-60	9-60	10-60	11-155	12-155	13-200	14-99	15-209
500	8-60	9-60	10-505	11-99	12-500	13-500	14-500	15-500
500S	8-60	9-60	10-140	11-99	12-500	13-500	14-500	15-500
501	8-60	9-60	10-505	11-99	12-500	13-500	14-500	15-500
505	18-505	9-60	10-505	11-99	12-500	13-505	14-500	15-500
506	18-505	9-60	10-505	11-99	12-500	13-505	14-500	15-500

*INCL. 8-115
*18-970-- 65

*SET OF
2 PARTS
+ SET OF
3 PARTS

*NOTE: 349-349H-349HC-77-78-110-111-500S PARTS ARE SUBJECT TO AVAILABILITY

*PRICES AND SPECIFICATIONS SUBJECT TO CHANGE WITHOUT NOTICE

PENN REELS—SERVICE PARTS

PLEASE SEE PARTS ILLUSTRATIONS

Reel No.	16— Bridge Screws		18— Spring Clutch	19— Eccentric	20— Spring Eccentric	21— Lever Eccentric	22— Screw Eccentric	23— Screw Handle
	Lower	Upper	Part No.	Part No.	Part No.	Part No.	Part No.	Part No.
9	16-9	17-9	18-9	19-9	20-109	21-109	22-109	23-60
10	16-9	17-9	18-9	19-9*	20-109	21-109††	22-109	23-60
49	16-60	17-60	18-60	19-60*	20-60*	21-49*	22-60*	23-60
60	16-60	17-60	18-60	19-60	20-60	21-285	22-60	23-60
65	16-60	17-60	18-60	19-60	20-60	21-285	22-60	23-60
66	16-60	17-60	18-60	19-60	20-60	21-66	22-60	23-60
67	16-60	17-60	18-60	19-60	20-60	21-66	22-60	23-60
68	16-60	17-60	18-60	19-60	20-60	21-66	22-60	23-60
77*	23-85
78*	16-78	18-60	19-60	20-60	21-66	22-60	23-85
85	16-60	17-60	18-60	19-60	20-60	21-285	22-60	23-85
99	16-60	17-60	18-60	19-99	20-60	21-66	22-99	23-60
100	16-60	17-60	18-60	19-200	20-155	21-200	22-99	23-60
109	16-60	17-60	18-60	19-109	20-109	21-109	22-109	23-180
110*	16-60	17-60	18-60	19-110	20-60	21-66	22-99	23-60
111*	16-60	17-60	18-60	19-250	20-60	21-66	22-99	23-60
112	16-60	17-60	18-60	19-250	20-60	21-66	22-99	23-60
112H	16-60	17-60	18-60	19-250	20-60	21-49	22-99	23-60
113	16-60	17-60	18-60	19-113	20-155	21-66	22-99	23-60
113H	16-113H	17-113H	18-60†	19-113	20-155	21-66	22-99	23-114
114	16-114	17-114	18-114	19-114	20-114	21-114	23-60	23-115
114H	16-114	17-114	18-114	19-114	20-114	21-114	23-60	23-116
115	16-114	17-114	18-114	19-115	20-114	21-114	23-60	23-116
116A	16-114	17-114	18-114	19-115	20-114	21-116	23-60	23-116
116	16-114	17-114	18-114	19-115	20-114	21-116	23-60	23-116
117	16-114	17-114	18-114	19-115	20-114	21-117	23-60	23-116
118	16-114	17-114	18-114	19-115	20-114	21-117	23-60	23-116
140	16-60	17-60	18-60	19-200†	20-155	21-200†	22-99†	23-60
145	16-60	17-60	18-60	19-200†	20-155	21-200†	22-99†	23-60
146	16-60	17-60	18-60	19-200†	20-155	21-200†	22-99†	23-60
149	16-60	17-60	18-60	19-60	20-60	21-49	22-60	23-60
150	16-60	17-60	18-60	19-200	20-155	21-200	22-99	23-60
155	16-60	17-60	18-60	19-155	20-155	21-155	22-60	23-60
160	16-60	17-60	18-60	19-155	20-155	21-155	22-60	23-60
180	16-60	17-60	18-60	19-155	20-155	21-155	22-60	23-180
200	16-60	17-60	18-60	19-200	20-155	21-200	22-99	23-60
209	16-60	17-60	18-60	19-209	20-155	21-209	22-60	23-60
210	16-60	17-60	18-60	19-209	20-155	21-285	22-60	23-60
285	16-60	17-60	18-60	19-60	20-60	21-285	22-60	23-60
309	16-60	17-60	18-60	19-60	20-60	21-309	22-60	23-60
349*	16-60	17-60	18-349	19-60	20-60	21-49	22-60	23-114
349H*	16-60	17-60	18-349	19-60	20-60	21-49	22-60	23-114
349HC*	16-60	17-60	18-349	19-60*	20-60*	21-49*	22-60*	23-114
350	16-60	17-60	18-60	19N-350	20-155	21-285	22-99	23-60
500	16-60	17-60	18-60	19-250	20-60	21-66	22-99	23-60
500S	16-60	17-60	18-60	19-99	20-60	21-66	22-99	23-60
501	16-60	17-60	18-60	19-250	20-60	21-66	22-99	23-60
505	16-60	17-60	18-60*	19-250	20-60	21-285	22-99	23-60
506	16-60	17-60	18-60*	19-250	20-60	21-285	22-99	23-60

†ALSO 18-970
*ALSO 18-505

*ALSO—49
SAME PRICE
†ALSO—19-140S
SAME PRICE
*19-10

*ALSO
20-155

*2 PER
†ALSO
21-140S
SAME PRICE
††ALSO
21-10

*2 PER
†ALSO 22-109

*NOTE: 349-349H-349HC-77-78-110-111-500S PARTS ARE SUBJECT TO AVAILABILITY

*PRICES AND SPECIFICATIONS SUBJECT TO CHANGE WITHOUT NOTICE

PENN REELS—SERVICE PARTS

PLEASE SEE PARTS ILLUSTRATIONS

Reel No.	23A— Screw Lock (Handle)	24 Handle Complete	26— Bearing Right Side	27— Plate Left Side	28— L. S. Ring		29L— Spool Aluminum	29M— Spool Metal
	Part No.	Part No.	Part No.	Part No.	Outer Part No.	Inner Part No.	Part No.	Part No.
9	110-60	24-160	26-9	27-9	28-109	29L-9
10	110-60	24-155	26-10	27-10	28-10	29L-10
49	110-60	24-49	26-60	27-49	28-49-O	2-49-I	29L-49
60	110-60	24-66	26-60	27-60	28-60	29M-60
65	110-60	24-66	26-60	27-65	28-60	29M-65
66	110-60	24-66	26-60	27-66	2-66	29M-66
67	110-60	24-66	26-60	27-66	2-66	29M-67
68	110-60	24-66	26-60	27-66	2-66	29M-68
77*	24-77
78*	24-85	26-60
85	24-85	26-60	27-85	29L-85	29M-60
99	110-60	24-155	26-155	28-99-O	28-99-I
100	110-60	24-160	26-155	27-200	2-155	29L-100	29M-100
109	24-109	26-109	27-109	2-109	29L-109	29M-109
110*	110-60	24-155	26-155	28-110-O	28-110-I	29L-501	29M-110
111*	110-60	24-155	26-60	27-111	2-111-O	2-111-I	29M-60
112	110-60	24-155	26-60	27-111	2-111-O	2-111-I	29M-112
112H	110-60	24-112H	26-155	27-112H	28-112H-O	2-112H-I	29L-112H	112H
113	110-60	24-66	26-60	27-113	2-113-O	2-113-I	29M-113
113H	110-60	24-113H	26-113H	27-113H	2-113-O	2-113-I	29L-113HL	29M-113H
114	110-60	24-114	26-114	27-114	2-114-O	2-114-I	29M-114
114H	110-60	24-115	26-116	27-114H	2-114-O	2-114-I	29L-114HL	29M-114H
115	110-60	24-115	26-116*	27-115*	2-115-O	2-115-I	29L-115
116A	110-60	24-116	26-116	27-116	2-116-O	28-116-I
116	110-60	24-116	26-116	27-116	2-116-O	28-116-I	29M-116
117	110-60	24-117	26-117	27-117	2-117-O	2-117-I	29M-117
118	110-60	24-117	26-117	27-117	2-117-O	2-117-I	29M-118
140	110-60	24-155	26-140	27-140	28-140-O	2-155	29L-140	29M-140
145	110-60	24-155	26-140	27-140	28-140-O	2-155
146	110-60	24-155	26-140	27-140	28-140-O	2-155	29L-146	29M-146
149	110-60	24-49	26-60	27-149	2-49-I	29L-149
150	110-60	24-155	26-155	27-200	2-155	29L-150	29M-150
155	110-60	24-155	26-155	27-155	2-155	29L-200	29M-155
160	110-60	24-160	26-155	27-155	2-155	29L-150	29M-150
180	24-180	26-155	27-155	2-155	29L-100	29M-100
200	110-60	24-155	26-155	27-200	2-155	29L-200	29M-200
209	110-60	24-155	26-155	27-209	28-209	29L-209	29M-209
210	110-60	24-66	26-113H	27-210	28-209	29L-210	29M-210
285	110-60	24-155	26-60	27-285	29M-60
309	110-60	24-66	26-60	27-309	28-309	29M-309
349*	110-60	24-349
349H*	110-60	24-349H
349HC*	110-60	24-349H
350	110-60	24-155	26-155	27-350	28-350	29M-200
500	110-60	24-66	26-155	27-500	28-250	29L-500	29M-250
500S	110-60	24-66	26-155	27-500S	28-500S +	29L-500	29M-250
501	110-60	24-155	26-155	27-500	28-250	29L-501	29M-110
505	110-60	24-66	26-113H	27-505	28-110-O	28-110-I	29L-505
506	110-60	24-66	26-113H	27-505	28-110-O	28-110-I	29L-506

FOR
REGULAR
BRG. ORDER
26 114

+ALSO
28I-500S

PENN REELS—SERVICE PARTS

PLEASE SEE PARTS ILLUSTRATIONS

Reel No.	30— Stand Only	31— Right Side Stand Screw		32— Left Side Stand Screw		33— Rod Clamp	34— Clamp Screws W/Nuts	35— Click Tongue
	Part No.	Part No. "New"	Part No. "Old"	Part No. "New"	Part No. "Old"	Part No.	Part No.	Part No.
9	30N-9	32-2	31-109	32-2	31-109	35-155
10	30-10	31-10	31-10	32-2	32-2	35-155
49	30-49	39-3	31-110	39-3	31-110	33-49	34-49	35-60
60	30-60	39-4	31-285	39-4	31-285	35-60
65	30-65	39-4	31-285	39-4	31-285	35-60
66	30-66	38-8	31-60	32-16	31-209	33-200	34-200	35-60
67	30-200	38-8	31-60	32-16	31-209	33-200	34-200	35-60
68	30-68	38-8	31-60	32-16	31-209	33-200	34-200	35-60
77	30-77	32-2	31-77	32-2	31-77	35-155
78	30-78	32-18	31-149	32-16	31-285	35-60
85	30-60	32-16	31-285	32-14	31-155	35-60
99	30-99	31-19	31-200	32-17	32-110	33-200	34-200	35-60
100	30-49	31-19	31-200	32-16	31-285	33-49	34-49	35-155
109	30N-9	32-2	31-109	32-2	31-109	35-155
110	30-49	39-3	31-110	32-15	32-110	33-49	34-49	35-60
111	30-111	39-3*	31-100	32-15*	32-110*	33-200	34-200	35-60
112	30-112	39-3*	31-110	32-15*	32-110*	33-200	34-200	35-60
112H	30-66	39-3	31-110	32-17	32-110	33-200	34-200	35-60
113	30-113	39-3	31-110	32-17	32-100	33-200	34-200	35-60
113H	30-113	39-3	31-110	32-17	32-110	33-200	34-200	35-60
114	30-114	31-11	31-114	32-20	32-114	33-114	34-200	35-114
114H	30114	31-11	31-114	32-20	32-114	33-114	34-200	35-114
115	30-115	39-12	31-115	32-21	32-115	33-114	34-200	35-115
116A	30-116A	39-12	31-115	32-21	32-115	33-116	34-116	35-115
116	30-116	39-12	31-115	32-21	32-115	33-116	34-116	35-115
117	30-117	39-12	31-115	39-12	32-115	33-117	34-116	35-115
118	30-118	39-12	31-115	39-12	32-115	33-117	34-116	25-115
140	30-200	31-19	31-200	32-18	31-110	33-200	34-200	35-155
145	30-66	31-19	31-200	32-18	31-110	33-200	34-200	35-155
146	30-49	31-19	31-200	32-18	31-110	33-49	34-49	35-155
149	30-149	38-8	31-149	38-8	31-149	35-60
150	30-66	31-19	31-200	32-16	31-285	33-200	34-200	35-155
155	30-155	32-22	31-155	32-14	32-155	35-155
160	30-65	32-22	31-155	32-14	32-155	33-200	34-200	35-155
180	30-180	32-22	31-285	32-14	32-155	35-155
200	30-200	31-19	31-200	32-16	31-285	33-200	34-200	35-155
209	30-66*	32-22	31-285	32-22	31-155	33-200	34-200	35-155
210	30-66*	31-210	31-210	32-22	32-22	33-200	34-200	35-155
285	30-60	32-16	31-285	32-22	32-155	35-60
309	30-66	32-16	31-60	32-16	31-155	33-200	34-200	35-60
349	30-349	32-18	31-349	32-18	31-349	33-49	34-49	35-114
349H	30-349	32-18	31-349	32-18	31-349	33-49	34-49	35-114
349HC	30-349	32-18	31-349	32-18	31-349	33-49	34-49	35-114
350	30-200	32-16	31-285	32-14	32-155	33-200	34-200	35-155
500	30-200	31-19+	31-19+	32-16	39-3	33-200	34-200	35-60
500S	30-200	32-15	32-15	32-500S	32-500S	33-200	34-200	35-60
501	30-49	31-19+	32-19+	32-16	39-3	33-49	34-49	35-60
505	30-200	31-19+	32-19+	39-3	39-3	33-200	34-200	35-60
506	30-49	31-19+	32-19+	39-3	39-3	33-49	34-49	35-60

*ALSO

39-10

32-15

31-10

+HIDDEN SCREW 31-19

*ALSO

39-10

32-15

32-2

*NOTE: 349-349H-349HC-77-78-110-111-500S PARTS ARE SUBJECT TO AVAILABILITY

*PRICES AND SPECIFICATIONS SUBJECT TO CHANGE WITHOUT NOTICE

PENN REELS—SERVICE PARTS

PLEASE SEE PARTS ILLUSTRATIONS

Reel No.	36- Click Button	37- Post Frame	38- R.S. POST SCREW		39- L.S. POST SCREW		40- L. S. BEARING	41- SPRING	42 WORM
	Part No.	Part No.	Part No. "New"	Part No. "Old"	Part No. "New"	Part No. "Old"	Part No.	Part No.	Part No.
9	36-60	37-109	39-1	38-109	39-1	38-109	40-109	41-109	42-9
10	36-60	37-109	38-10	38-10	39-1	39-1	40-10	42-9
49	36-60	37-49	39-9	38-49	39-9	38-49	40-60	41-60
60	36-209	37-111	39-5	38-60	39-5	31-60	40-60	41-60
65	36-209	37-65	39-5	38-60	39-5	31-60	40-60	41-60
66	36-60	37-65	39-6	38-60	39-5	31-60	40-60	41-60
67	36-60	37-113	39-6	38-60	39-5	31-60	40-60	41-60
68	36-60	37-113HLW	39-6	38-60	39-5	31-60	40-60	41-60
77	36-155	37-109	39-2	31-77	32-2	31-77
78	36-60	37-180	39-5	31-60	38-8	31-60	40-60
85	36-60	37-60	39-5	31-60	39-4	31-155	40-85	41-60
99	36-60	37-65	38-7	38-200	39-3	31-110	40-60	41-60
100	36-60	37-180	38-7	38-200	39-5	31-60	40-60	41-60
109	36-109	37-109	39-1	38-109	39-1	38-109	40-109	41-109	42-109
110	36-60	37-180	39-9	38-110	39-9	31-110	40-60	41-60
111	36-60	37-60	39-9*	38-110	39-9	31-110*	40-60	41-60
112	36-60	37-113	39-9*	38-110	39-9	31-110*	40-60	41-60
112H	36-209	37-65	39-9	38-110	39-3	31-110	40-60	41-60
113	36-60	37-113	39-9	38-110	39-3	31-110	40-60	41-60
113H	36-114	37-113	39-9	38-110	39-3	31-110	40-113H
114	36-114	37-114	39-13	38-114	39-12	31-114	40-114	41-114
114H	36-114	37-114	39-13	38-114	39-12	31-114	40-114H
115	36-115	37-115	39-13	38-114	39-12	31-115	40-114H
116A	36-115	37-116A	39-13	38-114	39-13	38-114	26-116
116	36-115	37-116	39-13	38-114	39-13	38-114	26-116
117	36-117	37-116	39-13	38-114	39-13	38-114	26-117
118	36-117	37-118	39-13	38-114	39-13	38-114	26-117
140	36-155	37-67	38-7	38-200	39-9	38-110	40-140
145	36-155	37-160	38-7	38-200	39-9	38-110	40-140
146	36-155	37-180	38-7	38-200	39-9	38-110	40-140
149	36-60	37-49	39-6	38-60	39-6	38-60	40-60	41-60
150	36-155	37-160	38-7	38-200	39-5	31-60	40-60	41-60
155	36-155	37-155	38-8	31-60	38-8	38-8	40-60	41-60
160	36-155	37-160	38-8	31-60	39-4	31-155	40-60	41-60
180	36-155	37-180	38-8	31-60	39-4	31-155	40-60	41-60
200	36-155	37-67	38-7	38-200	39-5	31-60	40-60	41-60
209	36N-209*	37-160	38-8	38-60	38-8	31-60	40-60	41-60	42-209
210	36N-209*	37-160	39-6	39-6	38-8	38-8	40-210	42-209
285	36-60	37-60	38-8	31-60	32-16	31-155	40-60	41-60
309	36-60	37-65	38-8	31-60	38-8	31-155	40-60	41-60	42-209
349	36-114	37-49	39-9	38-49	39-9	38-49	40-60	41-60
349H	36-114	37-49	39-9	38-49	39-9	38-49	40-60	41-60
349HC	36-114	37-49	39-9	38-49	39-9	38-49	40-60	41-60
350	36-155	37-155	39-5	31-60	39-4	31-155	40-60	41-60
500	36-60	37A-500	38-7	38-7	39-5	39-9	40-60	41-60
500S	36-60	37A-500	38-8	38-8	46A-704	46A-704	40-60	41-60
501	36-60	37A-506	38-7	38-7	39-9	39-9	40-60	41-60
505	36-209	37A-505	38-7	38-7	39-9	39-9	40-210
506	36-209	37A-506	38-7	38-7	39-9	39-9	40-210

*ALSO SNAPPING *ALSO RECESSED
69B-000 39-10

*NOTE: 349-349H-349HC-77-78-110-111-500S PARTS ARE SUBJECT TO AVAILABILITY

*PRICES AND SPECIFICATIONS SUBJECT TO CHANGE WITHOUT NOTICE

PENN REELS—SERVICE PARTS

PLEASE SEE PARTS ILLUSTRATIONS

	43- R.S. Worm	44 R.S. Worm	44A Worm Bearing Spring	45 Worm Gear	46 Line Guide	46C Line Guide Complete
Reel No.	Part No.	Part No.	Part No.	Part No.	Part No.	Part No.
9	43-9	43-109	45-9	46-9	46C-9
10	43-9	43-109	45-9	46-9	46C-9
109	43-109	44N-109	57-109	45-109	46-109	46C-109
209	44N-109	43-109	57-109	45-209	46-209	46C-209
210	44N-109	43-9	57-109	45-209	46-209	46C-209
309	44N-109	43-109	57-109	45-309	46-309	46C-309
Reel No.	47 Pawl	48 Pawl Cover	50 Worm Shelf	Senator II 114 HL		
9	47-109	48-109	50-109	Handle		24-114HL
10	47-109	48-109	50-109	Spool		29L-114HL
109	47-109	48-109	50-109	Spacer Bar (Front)		37C-114HL
209	47-109	48-109	50-209	Spacer Bar (Rear)		37N-114HL
210	47-109	48-109	50-209	Spacer Bar (Set)		37A-114HL
309	47-109	48-109	50-209	L.S. Screw Spacer Bar		39-14HL
Reel No.	54 Harness Lug	54 Brace Lug	56 Rod Brace	56C Rod Brace Complete		
114	54-114		
114H	54-114		
115	54-114	54-114	56-116	56C-115		
116A	54-116	54-114	56-116	56C-116		
116	54-116	54-114	56-116	56C-116		
117	54-117	54-117	56-117	56C-117		
118	54-117	54-117	56-117	56C-117		
349	54-349		
Reel No.	62 Click Spring	63 Click Spring Screw	64 Nylon Idler Gear	65 Idler Gear Screw	66 Drive Gear (Spool)	67 Drive Gear Lock Spring
9	62-209	63-209	64-9	65-209	66-9	67-9
10	62-209	63-209	64-9	65-209	66-9	67-9
109	62-155
209	62-209	63-209	64-209	65-209	66-209	67-209
210	62-209	63-209	64-209	65-209	66-209	67-209
309	62-309	63-209	64-309	65-209	66-209	67-209
349	62-349	63-209
349H	62-349	63-209
112H	62-309	63-209
Reel No.	99 Hook Screw L.H. Thread	155 Turnbuckle	165 Hook Screw R.H. Thread	500S Old Style Take Apart		
115	99-115	155-115	165-115	Lock Ring (Dog Pin)		52-910
116A	99-116	155-116	165-116	Click Spring Screw		63-500S
116	99-116	155-116	165-116	Lock Ring (Thumb Screw)		129-500S
117	99-116	155-116	165-116	Thumb Screw Spring		131-500S
118	99-116	155-116	165-116			

*PRICES AND SPECIFICATIONS SUBJECT TO CHANGE WITHOUT NOTICE

CARE AND LUBRICATION

Your Penn reel is quality manufactured for maximum durability, but like any precision instrument, reasonable care will ensure its best performance through many seasons.

After each fishing trip, the reel should be cleaned. If you have been fishing in salt water, wipe or wash the reel with fresh water, preferably warm, to remove any accumulated salt deposits.

Should you wash the reel, be careful not to use a driving force of water, since this will force the salt deposits into the reel's internal mechanisms. Rather, use a very fine spray to dissolve the salt on the external parts of the reel.

Dry excess moisture from the reel and then sparingly lubricate all exposed areas. Many fishermen use a pressurized spray oil for quick, easy protection after washing or wiping down their reels. Try not to get any oil on the fishing line, but should any excess spray oil get on your line, it will do no harm if you wipe the excess off. Other fishermen will apply a light coating of oil with a rag to the exposed metal parts on the reel for protection against the elements.

Your Penn reel should be stored in a cool, dry place. Do not store in a plastic bag, as the reel may develop condensation.

Periodically check the line your reel and tighten loose screws and fittings. Depending upon use, your Penn reel should be overhauled at least once every season.

Frequently lubricate all frictional points. For best results, use Penn's tubes of lube and Blue Grease. Remember, only a few drops or dabs are sufficient in most cases. Do not overlubricate!

LIMITED WARRANTY

Penn Fishing Tackle Mfg. Co. warrants your reel to be free from defects in materials and workmanship for a period of one year from the date of purchase. This warranty does not cover damage or malfunctions caused by accident, abuse or normal expected wear. If your reel has a defect within the terms of the warranty, you should return it to us insured at either address indicated below, and we will repair or replace your reel, at our option, without further cost to you. If, however, we determine after inspection that the repair is not covered by the provisions of this warranty, the reel will be repaired and returned to you at a reasonable charge for labor, parts and return postage.

ALL WARRANTIES WHICH MAY BE IMPLIED BY OPERATIONS OF LAW, INCLUDING BUT NOT LIMITED TO WARRANTIES OF MERCHANTABILITY AND WARRANTIES OF FITNESS FOR ANY PARTICULAR PURPOSE, SHALL BE LIMITED TO ONE YEAR FROM THE DATE OF PURCHASE. IN NO EVENT SHALL PENN FISHING TACKLE MFG. CO. BE LIABLE FOR CONSEQUENTIAL OR SPECIAL DAMAGES FOR BREACH OF THIS WARRANTY OR ANY OTHER WARRANTY WHICH MAY BE IMPLIED BY LAW.

SOME STATES DO NOT ALLOW LIMITATIONS ON HOW LONG AN IMPLIED WARRANTY LASTS, AND SOME STATES DO NOT ALLOW THE EXCLUSION OF CONSEQUENTIAL OR SPECIAL DAMAGES, SO THE ABOVE LIMITATIONS AND/OR EXCLUSION MAY NOT APPLY TO YOU.

THIS WARRANTY GIVES YOU SPECIFIC LEGAL RIGHTS, AND YOU MAY ALSO HAVE OTHER RIGHTS WHICH VARY FROM STATE TO STATE.

PENN FISHING TACKLE MFG. CO.
Factory Service Department
3028 W. Hunting Park Ave.
Philadelphia, PA. 19132

PENN FISHING TACKLE MFG. CO.
Western Warehouse
354 W. Alondra Blvd.
Gardena, CA. 90248

PENN FISHING TACKLE MFG. CO. RESERVES THE RIGHT TO MAKE CHANGES IN PRICES OR SPECIFICATIONS WITHOUT NOTICE.

Made and Printed in U.S.A.

9/89 250M

www.PENNparts.com

 **Scott's Bait & Tackle**

**Penn Parts Dept.
945 Radio Road
Tuckerton NJ 08087
(609) 296-1300**

**No Minimum Order!
Plus, Parts in stock
that Penn doesn't
carry anymore.**