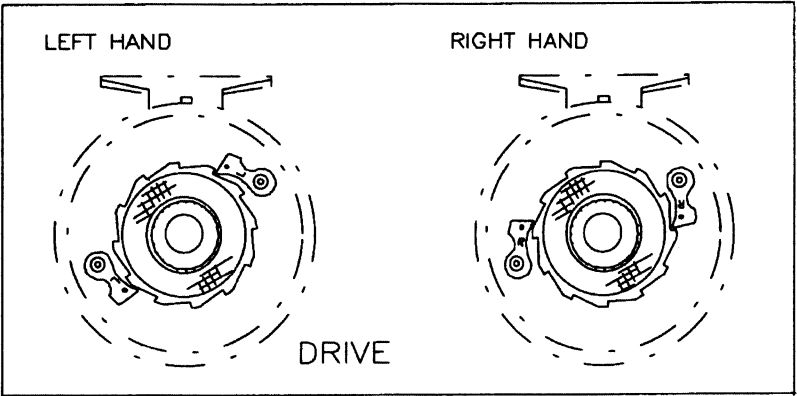
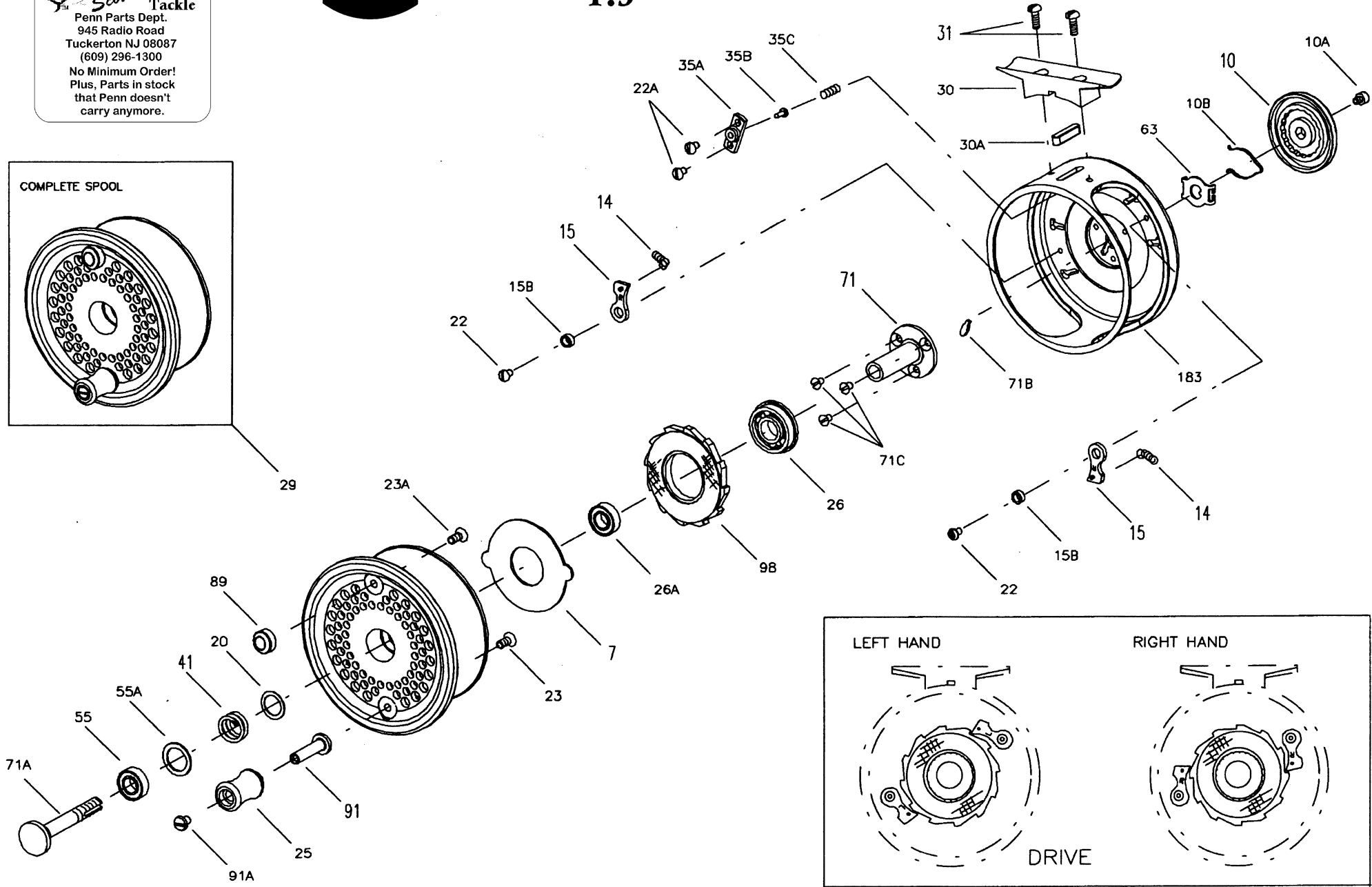
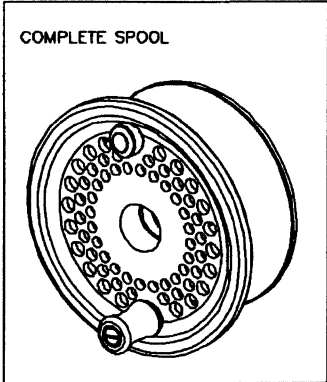


www.PENNparts.com
Scott's Bait & Tackle
 Penn Parts Dept.
 945 Radio Road
 Tuckerton NJ 08087
 (609) 296-1300
 No Minimum Order!
 Plus, Parts in stock
 that Penn doesn't
 carry anymore.



Penn Schematic 1.5



Penn Reel Parts list for:

Model: 1.5

KEY PART			KEY PART		
NO	NO.	DESCRIPTION	NO	NO.	DESCRIPTION
7	7-1.5FR	METAL DRAG WASHER	35A	35A-2.5FR	CLICK HOUSING
10	10N-2.5FR	DRAG KNOB	35B	35B-2.5FR	CLICK PIN
10a	10A-2.5FR	RETAINING SCREW	35C	107-60	CLICK PIN SPRING
10b	10B-2.5FR	DETENT SPRING	41	41-2.5FR	DRAG COIL SPRING (#1.5)
14	14-500	DOG COIL SPRING (2 REQ.)	55	55-320	BALL BEARING (OUTER)
15	15-2.5FR	DOG (2 REQ.)	55A	55A-2.5FR	BEARING WASHER
15B	15B-2.5FR	DOG BUSHING (2 REQ.)	63	63-2.5FR	SPRING RETAINER
20	20-2.5FR	SPOOL THRUST WASHER	71	71-1.5FR	SPINDLE
22	22-2.5FR	DOG SCREW (2 REQ.)	71A	71AN-1.5FR	SPINDLE STUD
22A	22-2.5FR	CLICK HOUSING SCREW (2 REQ.)	71B	71B-2.5FR	SPINDLE LOCK KEY
23	23-2.5FR	HANDLE POST SCREW	71C	71C-2.5FR	SPINDLE SCREW (3 REQ.)
23A	23A-2.5FR	COUNTER BALANCE SCREW	89	89-2.5FR	COUNTER BALANCE (#1.5)
25	25-2.5FR	HANDLE KNOB	91	91-2.5FR	HANDLE POST (#1.5)
26	26-2.5FR	FLANGE BEARING	91A	91A-2.5FR	HANDLE SCREW
26A	26A-2.5FR	BALL BEARING (INNER)	98	98-1.5FR	DRAG WASHER/RATCHET
29	29L-1.5FR	SPOOL ASSEMBLY (COMPLETE)	183	183N-1.5FR	FRAME
30	30-1.5FR	STAND			
30A	30A-2.5FR	STABILIZER BAR			
31	31-2.5FR	STAND SCREW (2 REQ.)			

NOTE: Many of www.pennparts.com schematics include changes that were either made by Penn, or errors found and corrected by our parts dept.