

www.PENNparts.com

 **Scott's Bait & Tackle**

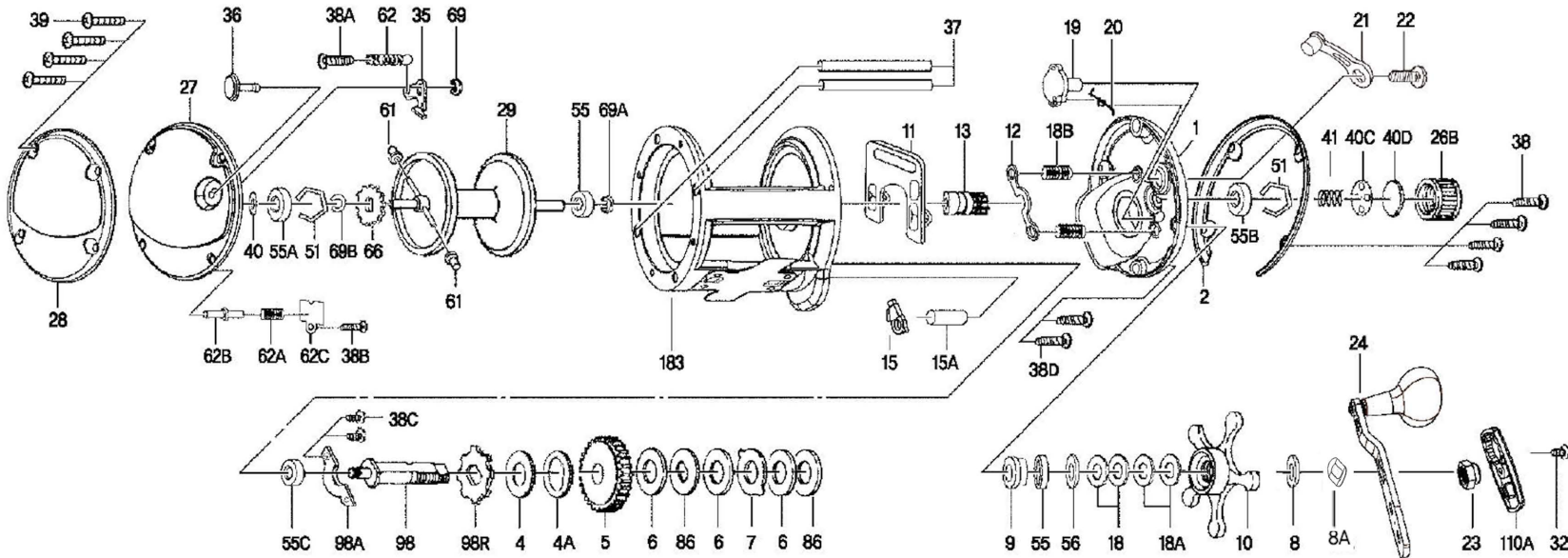
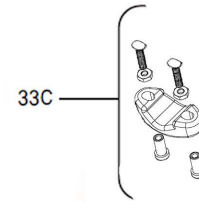
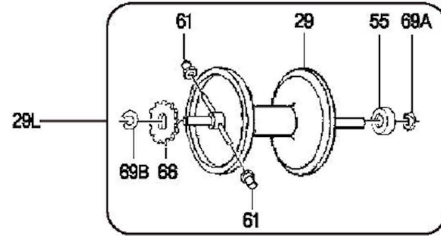
Penn Parts Dept.  
945 Radio Road  
Tuckerton NJ 08087  
(609) 296-1300

No Minimum Order!  
Plus, Parts in stock  
that Penn doesn't  
carry anymore.

SBT Ver. 060715

(Based on Penn's Rev 1 8-28-12)

# DEFIANCE 30



## Penn Reel Parts list for:

| KEY    | Penn's      | PureFishing | DESCRIPTION                           |
|--------|-------------|-------------|---------------------------------------|
| NO     | Part #      | Part #      |                                       |
| 1      | 1-DFN30     | 1257568     | PLATE, HANDLE SIDE                    |
| 2      | 2-DFN30     | 1257642     | RING, HANDLE SIDE                     |
| 4      | 4-DFN20LW   | 1257644     | WASHER, FIBER                         |
| 4A***  | 4A-DFN30    | ???         | WASHER, SPACER                        |
| 5      | 5-DFN30     | 1257810     | GEAR, MAIN                            |
| 6      | 6-DFN20LW   | 1257646     | WASHER, FRICTION DRAG (3)             |
| 7      | 7-DFN20LW   | 1257647     | WASHER, EARRED DRAG                   |
| 8      | 8-DFN20LW   | 1257648     | WASHER, TENSION (ROUND KEYED METAL)   |
| 8A *** | 8A-DFN20LW  | ???         | HANDLE SPACER (RECT. WITH BENT SIDES) |
| 9      | 9-DFN20LW   | 1257649     | BUSHING, BRASS                        |
| 10     | 10-DFN20LW  | 1257650     | DRAG STAR ASSEMBLY                    |
| 11     | 11-DFN20LW  | 1257651     | ECCENTRIC JACK                        |
| 12     | 12-DFN20LW  | 1257652     | PINION YOKE                           |
| 13     | 13-DFN30    | 1257811     | PINION                                |
| 15     | 15N-DFN20LW | 1344584     | DOG (revised)                         |
| 15A    | 15A-DFN20LW | 1257655     | DOG POST                              |
| 18     | 18-DFN20LW  | 1257656     | WASHER, TENSION SPRING (2)            |
| 18A    | 18A-DFN20LW | 1257657     | WASHER, TENSION SPRING (2)            |
| 18B    | 18B-DFN20LW | 1257658     | SPRING, COIL (2)                      |
| 19     | 19-DFN30    | 1257751     | ECCENTRIC CAM                         |
| 20     | 20-DFN20LW  | 1257660     | ECCENTRIC SPRING                      |
| 21     | 21-DFN25LW  | 1257752     | ECCENTRIC LEVER                       |
| 22     | 22-DFN20LW  | 1257662     | ECCENTRIC SCREW                       |
| 23     | 23-DFN20LW  | 1257663     | NUT, HANDLE                           |
| 24     | 24-DFN20LW  | 1257664     | HANDLE ASSEMBLY                       |
| 26B    | 26B-DFN20LW | 1257665     | CAP, SPOOL TENSION                    |
| 27     | 27-DFN30    | 1257668     | PLATE, NON-HANDLE SIDE                |
| 28     | 28-DFN30    | 1257672     | RING, NON-HANDLE SIDE                 |
| 29     | 29-DFN30    | 1257676     | SPOOL                                 |
| 29L    | 29L-DFN30   | 1257680     | SPOOL ASSEMBLY                        |
| 32     | 32-DFN20LW  | 1257682     | SCREW, MACHINED                       |
| 33C    | 33C-DFN40LW | 1291631     | ROD CLAMP KIT                         |
| 35     | 35-DFN20LW  | 1257683     | CLICK TONGUE                          |

## Model: DFN30 Defiance

| KEY  | Penn's       | PureFishing | DESCRIPTION             |
|------|--------------|-------------|-------------------------|
| NO   | Part #       | Part #      |                         |
| 36** | 36-DFN20LW   | 1257684     | CLICK BUTTON            |
| 37   | 37-DFN30     | 1257755     | POST, FRAME (2)         |
| 38   | 38-DFN20LW   | 1257685     | SCREW, TAPPING (4)      |
| 38A  | 38A-DFN20LW  | 1257686     | SCREW, WASHER HEAD      |
| 38B  | 38B-DFN20LW  | 1257687     | SCREW, TAPPING          |
| 38C  | 38C-DFN20LW  | 1257688     | SCREW, TAPPING (2)      |
| 38D  | 38D-DFN30    | 1257756     | SCREW, TAPPING (2)      |
| 39   | 39-DFN25lw   | 1257754     | SCREW, TAPPING (4)      |
| 40   | 40-DFN20LW   | 1257710     | THRUST DISC, METAL      |
| 40C  | 40C-DFN20LW  | 1257711     | THRUST DISC, METAL      |
| 40D  | 40D-DFN20LW  | 1257712     | THRUST DISC, RUBBER     |
| 41   | 41-DFN20LW   | 1257713     | SPRING, COIL            |
| 51   | 51-DFN20LW   | 1257722     | RETAINER, WIRE HEX (2)  |
| 55   | 55-DFN20LW   | 1257723     | BALL BEARING (2)        |
| 55A  | 55A-DFN20LW  | 1257724     | BALL BEARING            |
| 55B  | 55B-DFN20LW  | 1257725     | BEARING, SOLID BRASS    |
| 55C  | 55C-DFN20LW  | 1257726     | BALL BEARING            |
| 56   | 56-DFN20LW   | 1257727     | SHIM                    |
| 61   | 61-DFN30     | 1257757     | CASTING BRAKE (2)       |
| 62   | 62-DFN20LW   | 1257730     | SPRING, CLICK SPRING    |
| 62A  | 62A-DFN20LW  | 1257731     | SPRING, COIL            |
| 62B  | 62B-DFN25LW  | 1257750     | CLICK TENSION SHAFT     |
| 62C  | 62C-DFN20LW  | 1257733     | PLATE, CLICK TENSION    |
| 66   | 66-DFN30     | 1257812     | CLICK RATCHET           |
| 69   | 69-DFN20LW   | 1257737     | RETAINER, E RING (4)    |
| 69A  | 69A-DFN20LW  | 1257738     | RETAINER, C RING        |
| 69B  | 69B-DFN20LW  | 1257739     | RETAINER, C RING        |
| 86   | 86-DFN20LW   | 1257741     | WASHER, KEYED DRAG (2)  |
| 98   | 98-DFN20LW   | 1257742     | STUD, MAIN GEAR         |
| 98A  | 98A-DFN20LW  | 1257743     | PLATE, F/MAIN GEAR STUD |
| 98R  | 98R-DFN20LW  | 1257744     | RATCHET, ANTI-REVERSE   |
| 110A | 110A-DFN20LW | 1257745     | HANDLE NUT LOCK         |
| 183  | 183-DFN30    | 1257748     | FRAME                   |

**NOTE:** Many of [www.pennparts.com](http://www.pennparts.com) schematics include changes that were either made by Penn, or errors found and corrected by our parts dept.  
 SBT Ver. 06/1715 (based on Penn's revision 3 for the 40LW, 1-10-14)  
 DOG HAS BEEN REDESIGNED AND ASSIGNED NEW PART NUMBERS

\*\*\* The 8A found in the early run reels is not a supported part by Penn  
 They will not be supplying it and it is said that it is not required.

\*\* Penn's orig. schematic lists 64-DFN20LW, this is incorrect