


www.PENNparts.com

 **Scott's Bait & Tackle**

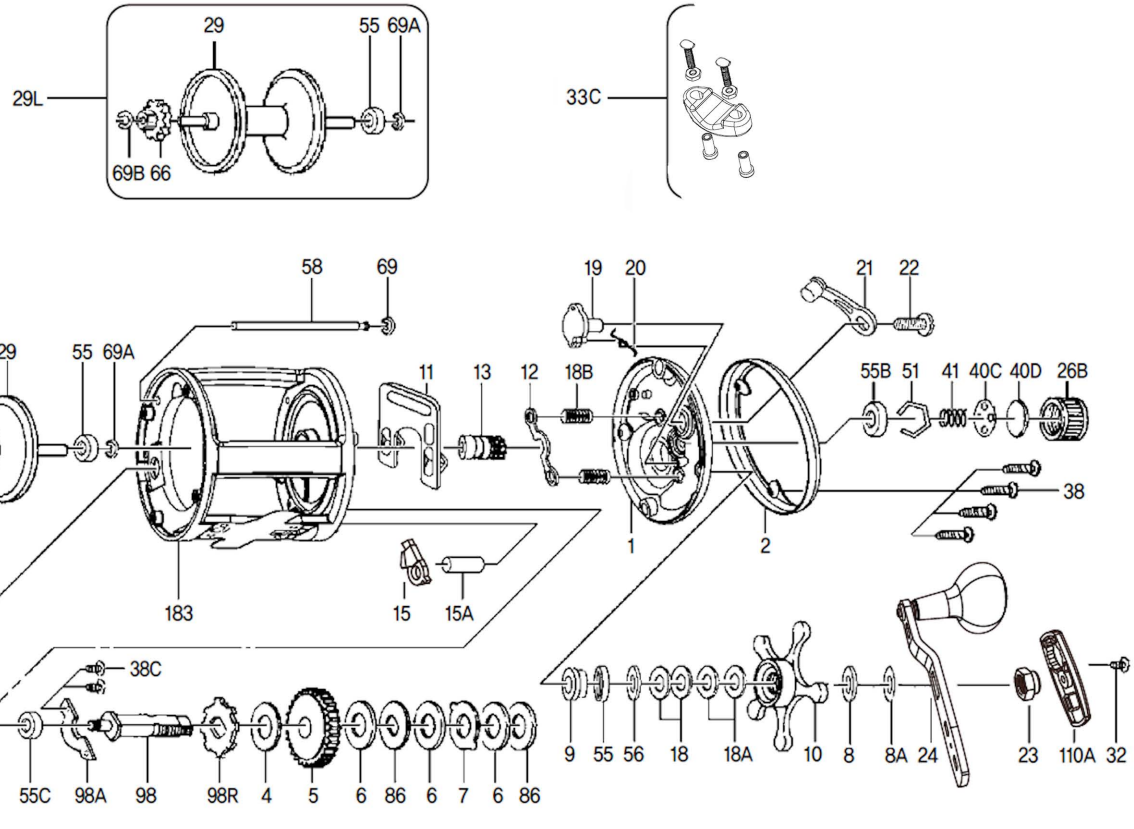
Penn Parts Dept.
945 Radio Road
Tuckerton NJ 08087
(609) 296-1300

No Minimum Order!
Plus, Parts in stock
that Penn doesn't
carry anymore.

SBT Ver 110613

(Based on Penn's Rev 1 8-28-12)

DEFIANCE 20LW



Penn Reel Parts list for:

Model: DFN20LW Defiance Levelwind

KEY	Penn's	PureFishing	DESCRIPTION	KEY	Penn's	PureFishing	DESCRIPTION
NO	Part #	Part #		NO	Part #	Part #	
1	1-DFN20LW	1257566	PLATE, HANDLE SIDE	40	40-DFN20LW	1257710	THRUST DISC, METAL
2	2-DFN20LW	1257640	RING, HANDLE SIDE	40C	40C-DFN20LW	1257711	THRUST DISC, METAL
4	4-DFN20LW	1257644	WASHER, FIBER	40D	40D-DFN20LW	1257712	THRUST DISC, RUBBER
5	5-DFN20LW	1257645	GEAR, MAIN	41	41-DFN20LW	1257713	SPRING, COIL
6	6-DFN20LW	1257646	WASHER, FRICTION DRAG (3)	42	42-DFN20LW	1257714	WORM SHAFT
7	7-DFN20LW	1257647	WASHER, EARRED DRAG	42A	42A-DFN20LW	1257715	WORM GEAR
8	8-DFN20LW	1257648	WASHER, TENSION (ROUND KEYED METAL)	43	43-DFN20LW	1257716	WORM BUSHING, HANDLE SIDE
8A ***	8A-DFN20LW	???	HANDLE SPACER (RECT. WITH BENT SIDES)	44	44-DFN20LW	1257717	WORM BSHNG, NON-HAND. SIDI
9	9-DFN20LW	1257649	BUSHING, BRASS	46	46-DFN20LW	1257718	LINE GUIDE
10	10-DFN20LW	1257650	DRAG STAR ASSEMBLY	47	47-DFN20LW	1257719	PAWL
11	11-DFN20LW	1257651	ECCENTRIC JACK	48	48-DFN20LW	1257720	SCREW F/LINE GUIDE
12	12-DFN20LW	1257652	PINION YOKE	50	50-DFN20LW	1257721	WORM SHIELD
13	13-DFN20LW	1257653	PINION	51	51-DFN20LW	1257722	RETAINER, WIRE HEX (2)
15	15N-DFN20LW	1344584	DOG (revised)	55	55-DFN20LW	1257723	BALL BEARING (2)
15A	15A-DFN20LW	1257655	DOG POST	55A	55A-DFN20LW	1257724	BALL BEARING
18	18-DFN20LW	1257656	WASHER, TENSION SPRING (2)	55B	55B-DFN20LW	1257725	BEARING, SOLID BRASS
18A	18A-DFN20LW	1257657	WASHER, TENSION SPRING (2)	55C	55C-DFN20LW	1257726	BALL BEARING
18B	18B-DFN20LW	1257658	SPRING, COIL (2)	56	56-DFN20LW	1257727	SHIM
19	19-DFN20LW	1257659	ECCENTRIC CAM	58	58-DFN20LW	1257728	POST, LINE GUIDE POST
20	20-DFN20LW	1257660	ECCENTRIC SPRING	60	60-DFN20LW	1257729	WASHER, FLAT (2)
21	21-DFN20LW	1257661	ECCENTRIC LEVER	62	62-DFN20LW	1257730	SPRING, CLICK SPRING
22	22-DFN20LW	1257662	ECCENTRIC SCREW	62A	62A-DFN20LW	1257731	SPRING, COIL
23	23-DFN20LW	1257663	NUT, HANDLE	62B	62B-DFN20LW	1257732	CLICK TENSION SHAFT
24	24-DFN20LW	1257664	HANDLE ASSEMBLY	62C	62C-DFN20LW	1257733	PLATE, CLICK TENSION
26B	26B-DFN20LW	1257665	CAP, SPOOL TENSION	64	64-DFN20LW	1257734	GEAR, IDLER
27	27-DFN20LW	1257666	PLATE, NON-HANDLE SIDE	64A	64A-DFN20LW	1257735	WASHER, FLAT (2)
28	28-DFN20LW	1257670	RING, NON-HANDLE SIDE	66	66-DFN20LW	1257736	CLICK RATCHET
29	29-DFN20LW	1257674	SPOOL	69	69-DFN20LW	1257737	RETAINER, E RING (4)
29L	29L-DFN20LW	1257678	SPOOL ASSEMBLY	69A	69A-DFN20LW	1257738	RETAINER, C RING
32	32-DFN20LW	1257682	SCREW, MACHINED	69B	69B-DFN20LW	1257739	RETAINER, C RING
33C	33C-DFN40LW	1291631	ROD CLAMP KIT	69C	69C-DFN20LW	1257740	RETAINER, C RING
35	35-DFN20LW	1257683	CLICK TONGUE	86	86-DFN20LW	1257741	WASHER, KEYED DRAG (2)
36	36-DFN20LW	1257684	CLICK BUTTON	98	98-DFN20LW	1257742	STUD, MAIN GEAR
38	38-DFN20LW	1257685	SCREW, TAPPING (8)	98A	98A-DFN20LW	1257743	PLATE, F/MAIN GEAR STUD
38A	38A-DFN20LW	1257686	SCREW, WASHER HEAD	98R	98R-DFN20LW	1257744	RATCHET, ANTI-REVERSE
38B	38B-DFN20LW	1257687	SCREW, TAPPING	110A	110A-DFN20LW	1257745	HANDLE NUT LOCK
38C	38C-DFN20LW	1257688	SCREW, TAPPING (2)	183	183-DFN20LW	1257746	FRAME

NOTE: Many of www.pennparts.com schematics include changes that were either made by Penn, or errors found and corrected by our parts dept.
 SBT Ver. 06/1715 (based on Penn's revision 3 for the 40LW, 1-10-14)
 DOG HAS BEEN REDESIGNED AND ASSIGNED NEW PART NUMBERS

*** The 8A found in the early run reels is not a supported part by Penn
 They will not be supplying it and it is said that it is not required.