

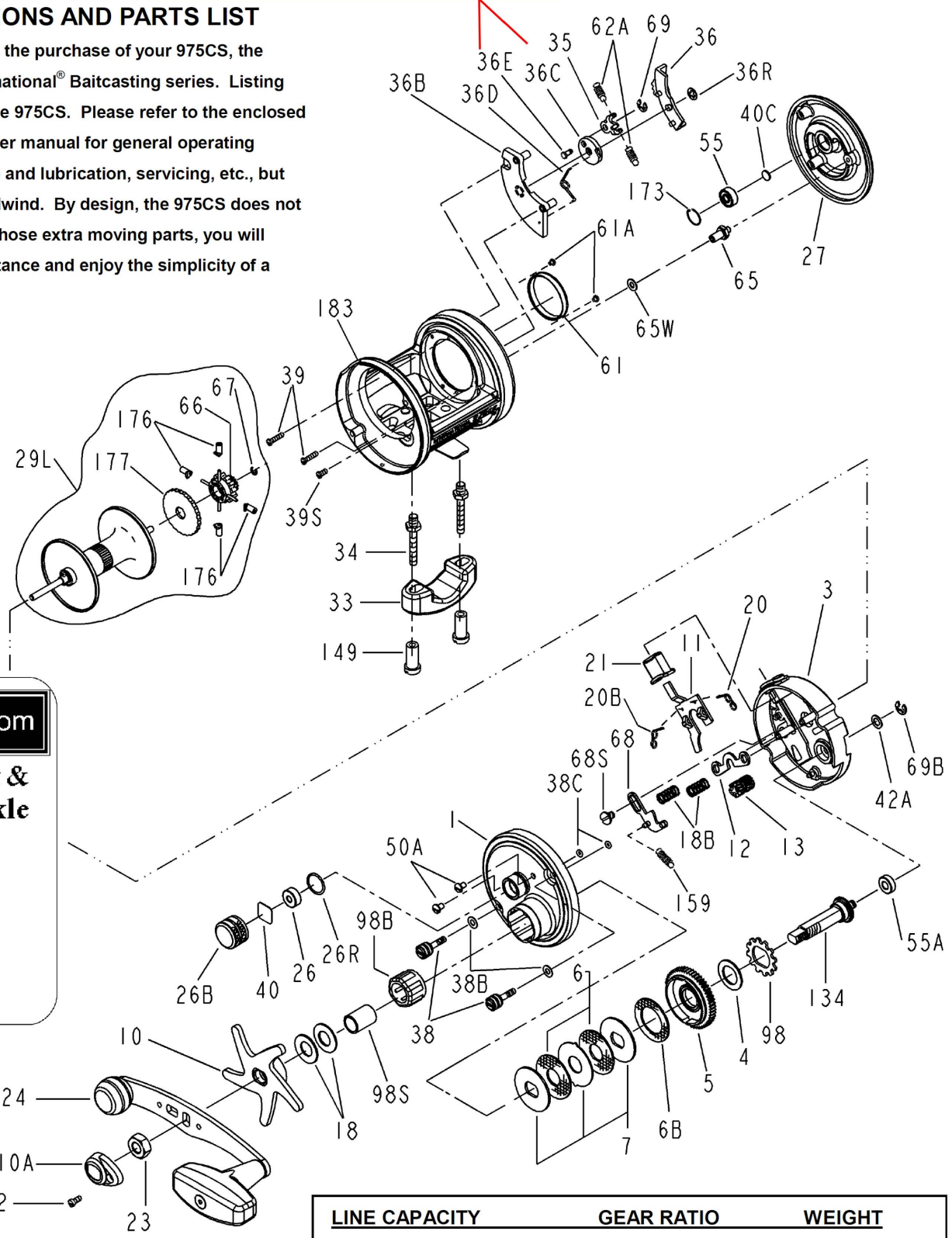


# INTERNATIONAL<sup>®</sup> 975CS SPECIFICATIONS AND PARTS LIST

Congratulations on the purchase of your 975CS, the "Casting Special" of the International<sup>®</sup> Baitcasting series. Listing below are specifications for the 975CS. Please refer to the enclosed generic International<sup>®</sup> baitcaster manual for general operating features, quality features, care and lubrication, servicing, etc., but disregard references to a levelwind. By design, the 975CS does not include a levelwind. Without those extra moving parts, you will achieve maximum casting distance and enjoy the simplicity of a non-levelwind reel.

Good casting and fishing!

See  
Notes



[www.PENNparts.com](http://www.PENNparts.com)

**Scott's Bait & Tackle**  
 Penn Parts Dept.  
 945 Radio Road  
 Tuckerton NJ 08087  
 (609) 296-1300  
 No Minimum Order!  
 Plus, Parts in stock  
 that Penn doesn't  
 carry anymore.

**SBT Ver. 012911**  
 (Based on Penn's Rev. 9)

LINE CAPACITY	GEAR RATIO	WEIGHT
340 YDS / 15 LBS	4.5:1	15 OZ
310 METERS / 0.40 MM		425 GRAMS

# Penn Reel Parts list for Model: 975CS

KEY NO	PART NO.	DESCRIPTION	KEY NO	PART NO.	DESCRIPTION
1	1-975	RIGHT SIDE PLATE	38B	38BN-965	SIDE PLATE WASHER
3	3-975	INNER R.S. PLATE	38C	38CN-965	SCREW 'O' RING
4	4-60	FIBER WASHER	39	39-965	L.S. PLATE SCREW (2REQ.)
5	5-975	MAIN GEAR	39S	39S-965	L.S. PLATE SHORT SCREW
6	6-309	DRAG WASHER HT-100 (2 REQ.)	40	40C-965	METAL THRUST WASHER
6B	6B-965	DRAG WASHER HT-100	40C	40C-310	METAL THRUST WASHER
7	7C-500	METAL DRAG WASHER (SET OF 3)	42A	42R-965	METAL WASHER
10	10-975	STAR DRAG	50A	50-716	R.S. PLATE SCREW (2 REQ.)
11	11-975	ECCENTRIC JACK	55	55-113H	BALL BEARING
12	12-965	YOKE	55A	55A-965	GEAR STUD BUSHING
13	13-975	PINION	61	61-965	BRAKE DRUM
18	18-30	DISC CLUTCH SPRING (2 REQ.)	61A	43B-965	BRAKE DRUM SCREW (2 REQ.)
18B	18B-965	YOKE SPRING (2 REQ.)	62A	62A-965	CLICK SPRING (2 REQ.)
20	20-965	R.S. JACK SPRING	65	65-965	IDLER GEAR PIN
20B	20B-965	L.S. JACK SPRING	65W	65W-965	IDLER GEAR WASHER
21	21-975	CLUTCH RELEASE BUTTON	66	66M-965	SPOOL GEAR CLICK RATCHET
23	23-555	HANDLE NUT	67	67-16S	LOCK RING
24	24-975	HANDLE ASSEMBLY	68	68-965	SHIFT ARM
26	26-965	R.S. PLATE BUSHING	68S	68S-965	SHIFT ARM SCREW
26B	26B-965	SPOOL TENSION CAP	69	69B-50	CLICK TONGUE RETAINER
26R	26R-965	TENSION CAP 'O' RING	69B	69B-600	RETAINING RING
27	27-975	L.S. PLATE	98	98-965	TRIP RATCHET
29L	29L-975	SPOOL ASSEMBLY	98B	98B-525	ROLLER BEARING
32	32-15	HANDLE CAP SCREW	98S	98S-525	BEARING CLUTCH SHAFT
33	33-113	ROD CLAMP	110A	110A-555	HANDLE NUT CAP
34	34-975	ROD CLAMP SCREW (2 REQ.)	134	134-975	GEAR STUD
35	35-965	CLICK TONGUE	149	149-45	ROD CLAMP NUT (2 REQ.)
36	36-975	CLICK BUTTON	159	159-965	SHIFT ARM SPRING
36B	36B-975	CLICK HOUSING	173	173-965	LEFT SIDE BEARING RETAINER
36D	36D-965	CLICK WHEEL SPRING	176	176-965	ANTI-BACKLASH BRAKES (4 REQ.)
36R	36R-965	RETAINING RING	177	177-965	BRAKE SELECTION KNOB
38	38N-965	TAKE-APART SCREW (2 REQ.)	183	183-975CS	FRAME ASSEMBLY

NOTE: Many of www.pennparts.com schematics include changes that were either made by Penn, or errors found and corrected by our parts dept.

SBT Ver. 080313 (based on Penn's Rev. 6)

## Early Run: Design change to click wheel sometime between Rev. 0 and Rev. 3

<u>ORIGINAL:</u>		<u>REDESIGNED:</u>		
36C	36C-965	CLICK WHEEL w/2 plastic pins (Pin tended to sheer off.)	36C 36C-965	CLICK WHEEL w/1 plastic pin
			36E 36E-965	CLICK TONGUE PIN