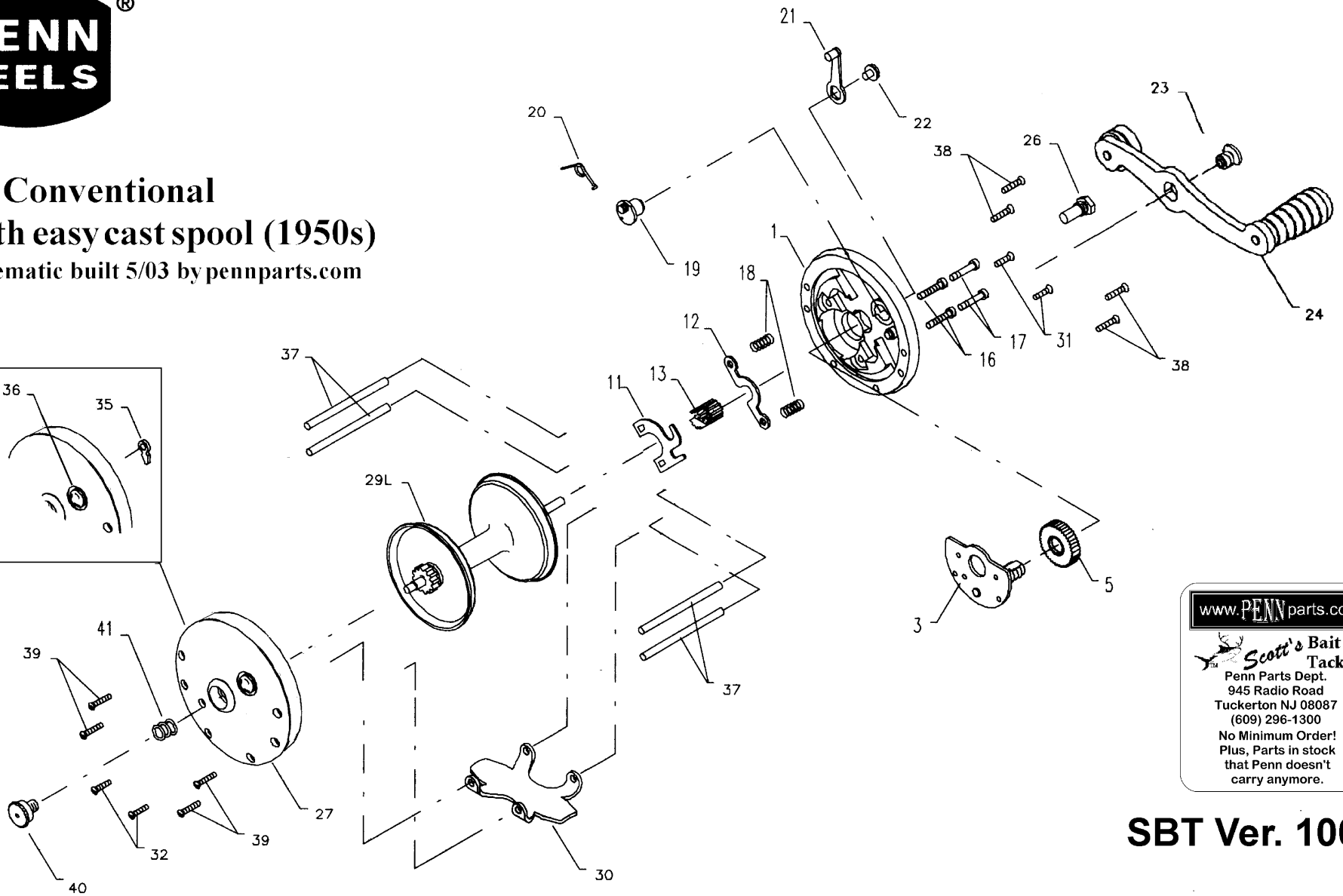
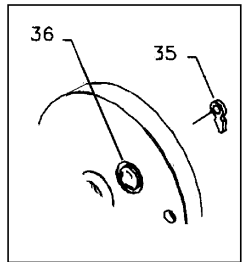


80 Conventional with easy cast spool (1950s)

Schematic built 5/03 by pennparts.com



www.PENNparts.com
Scott's Bait & Tackle
Penn Parts Dept.
945 Radio Road
Tuckerton NJ 08087
(609) 296-1300
No Minimum Order!
Plus, Parts in stock
that Penn doesn't
carry anymore.

SBT Ver. 100710

Penn Reel Parts list for:

Model: 80 Conv. reel w/Easy Cast spool

KEY PART			KEY PART		
NO	NO.	DESCRIPTION	NO	NO.	DESCRIPTION
1	1-80	RIGHT SIDE PLATE	24	24-85	COMPLETE HANDLE
3	3-80	BRIDGE W/ SLEEVE	26	26-60	RIGHT SIDE BEARING
3C	3C-80	BRIDGE W/ PINION	27	27-85	LEFT SIDE PLATE
5	5-80	MAIN GEAR	29	29L-85	SPOOL
11	11-60	ECCENTRIC JACK	30	30-85	STAND
12	12-60	PINION YOKE	31	32-16CH	RIGHT SIDE STAND SCREW
13	13-85	PINION GEAR	32	32-14CH	LEFT SIDE STAND SCREW
16	16-80	LOWER BRIDGE SCREW	35	35-60	CLICK TONGUE
18	18-60	CLUTCH SPRING	36	36-60CH	CLICK BUTTON
19	19-60	ECCENTRIC	37	37-60	FRAME POST
20	20-60L	ECCENTRIC SPRING	38	38-8	RIGHT SIDE POST SCREW
21	21-285	ECCENTRIC LEVER	39	38-8	LEFT SIDE POST SCREW
22	22-60CH	ECCENTRIC SCREW	40	40-60	LEFT SIDE BEARING
23	23-85	HANDLE SCREW	41	41-60	BEARING SPRING

NOTE: Many of www.pennparts.com schematics include changes that were either made by Penn, or errors found and corrected by our parts dept.
last update 5/21/03