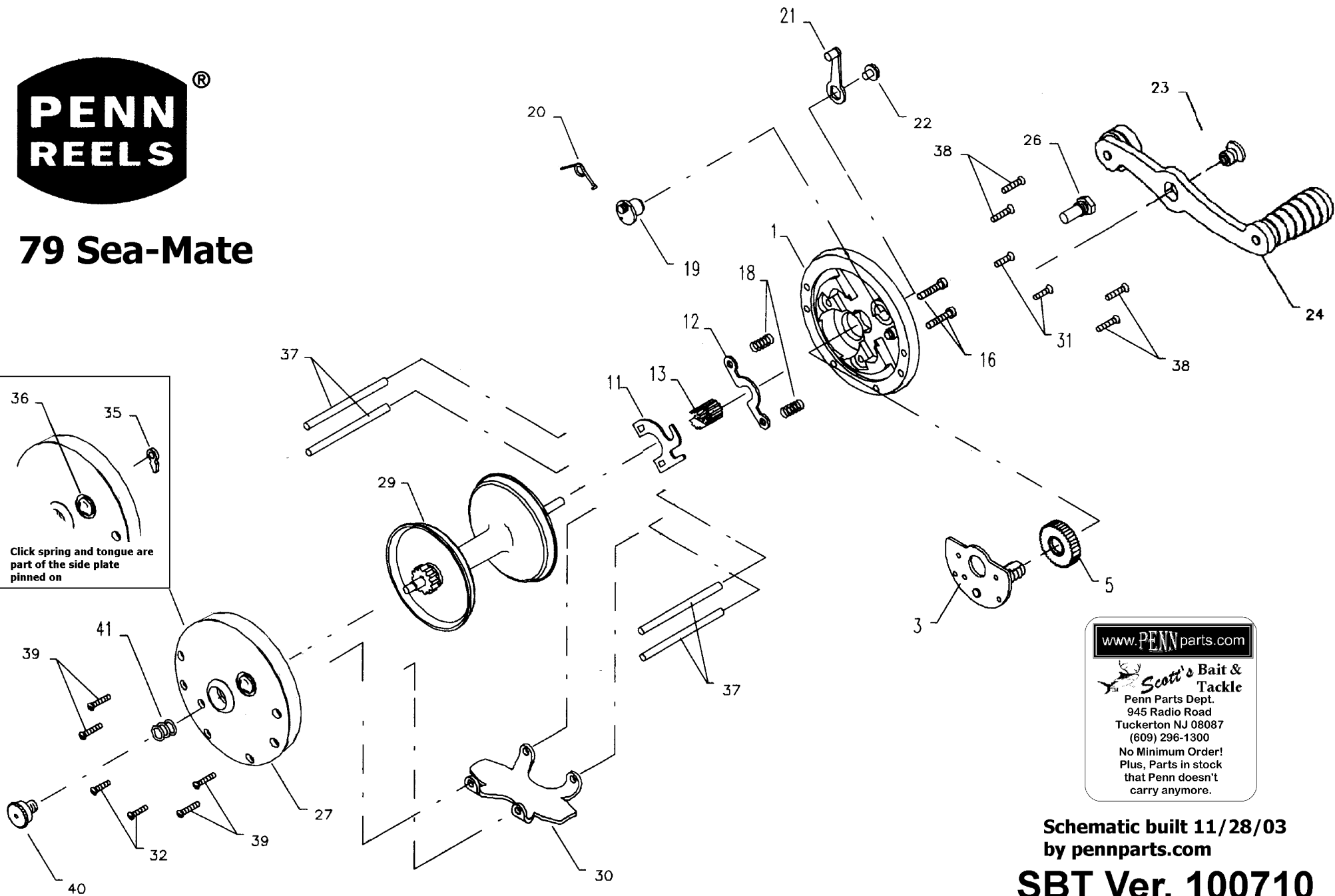
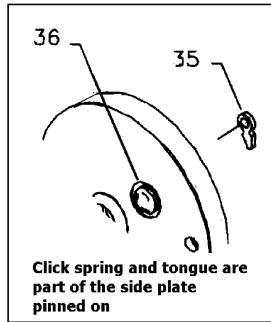


79 Sea-Mate



www.PENNparts.com
Scott's Bait & Tackle
Penn Parts Dept.
945 Radio Road
Tuckerton NJ 08087
(609) 296-1300
No Minimum Order!
Plus, Parts in stock
that Penn doesn't
carry anymore.

Schematic built 11/28/03
by pennparts.com
SBT Ver. 100710

Penn Reel Parts list for:

Model: 79

Sea-Mate

KEY PART

NO	NO.	DESCRIPTION
1	1-79	R.S. PLATE
3	3-78	BRIDGE W/ SLEEVE
5	5-78	MAIN GEAR
11	11-60	ECCENTRIC JACK
12	12-60	PINION YOKE
13	13-60	PINION GEAR
16	16-78	LOWER BRIDGE SCREW
18	18-60	CLUTCH SPRING
19	19-60	ECCENTRIC
20	20-60L	ECCENTRIC SPRING
21	21-285	ECCENTRIC LEVER
22	22-60CH	ECCENTRIC SCREW
23	23-85	HANDLE SCREW
24	24-85	COMPLETE HANDLE
25	25-85	KNOB, RIVET & OILER

KEY PART

NO	NO.	DESCRIPTION
26	26-60	R.S. BEARING
27	27-85	L.S. PLATE
29	29-85	PLASTIC SPOOL
30	30-85	STAND
31	31-285	R.S. STAND SCREW
32	32-155	L.S. STAND SCREW
35	35-60	CLICK TONGUE
36	36-60CH	CLICK BUTTON
37	37-60	POST FRAME
38	31-60	R.S. POST SCREW
39	31-155	L.S. POST SCREW
40	40-85	L.S. BEARING
41	41-60	L.S. BEARING SPRING

NOTE: Many of www.pennparts.com schematics include changes that were either made by Penn, or errors found and corrected by our parts dept.