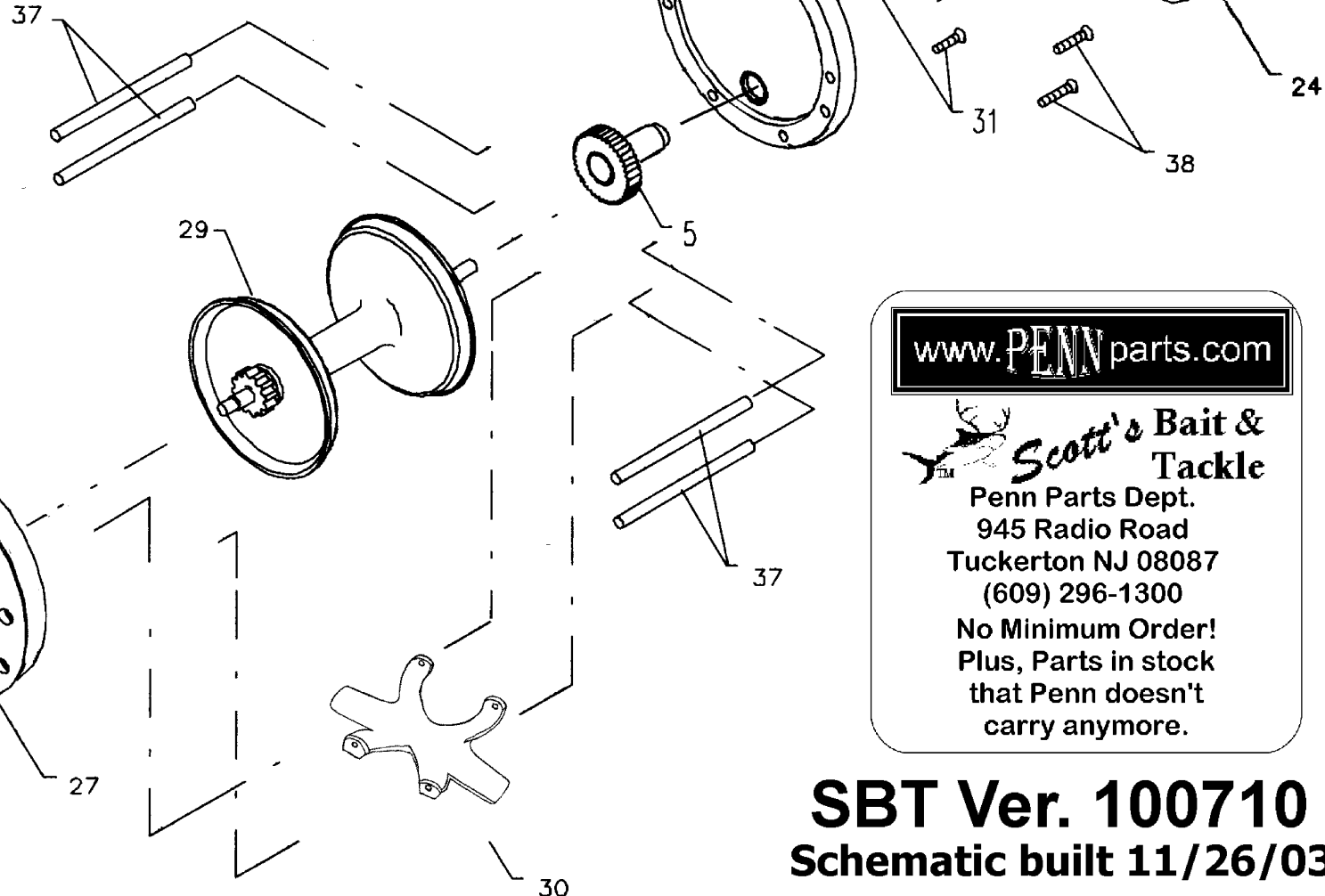
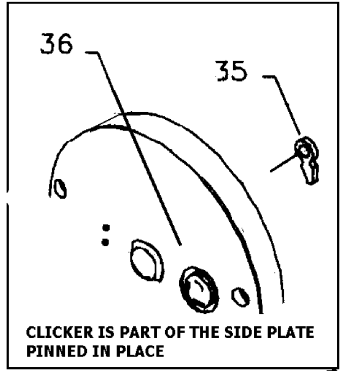




®

77 Sea-Hawk



www.PENNparts.com

 **Scott's Bait & Tackle**

Penn Parts Dept.
 945 Radio Road
 Tuckerton NJ 08087
 (609) 296-1300

No Minimum Order!
 Plus, Parts in stock
 that Penn doesn't
 carry anymore.

SBT Ver. 100710
Schematic built 11/26/03
by pennparts.com

Penn Reel Parts list for:

Model: 77

Sea-Hawk

KEY PART

| NO | NO. | DESCRIPTION |
|-----------|------------|--------------------|
| 1 | 1-77 | R.S. PLATE |
| 5 | 5-77 | MAIN GEAR |
| 13 | 13-77 | PINION |
| 23 | 23-85 | HANDLE SCREW |
| 24 | 24-77 | HANDLE |
| 27 | 27-77 | L.S. PLATE |
| 29 | 29-77 | PLASTIC SPOOL |
| 30 | 30-77 | STAND |

KEY PART

| NO | NO. | DESCRIPTION |
|-----------|------------|--------------------|
| 31 | 31-77 | R.S. STAND SCREW |
| 32 | 31-77 | L.S. STAND SCREW |
| 35 | 35-155 | CLICK TONGUE |
| 36 | 36-155CH | CLICK BUTTON |
| 37 | 37-77 | FRAME POST |
| 38 | 31-77 | R.S. POST SCREW |
| 39 | 31-77 | L.S. POST SCREW |

NOTE: Many of www.pennparts.com schematics include changes that were either made by Penn, or errors found and corrected by our parts dept.