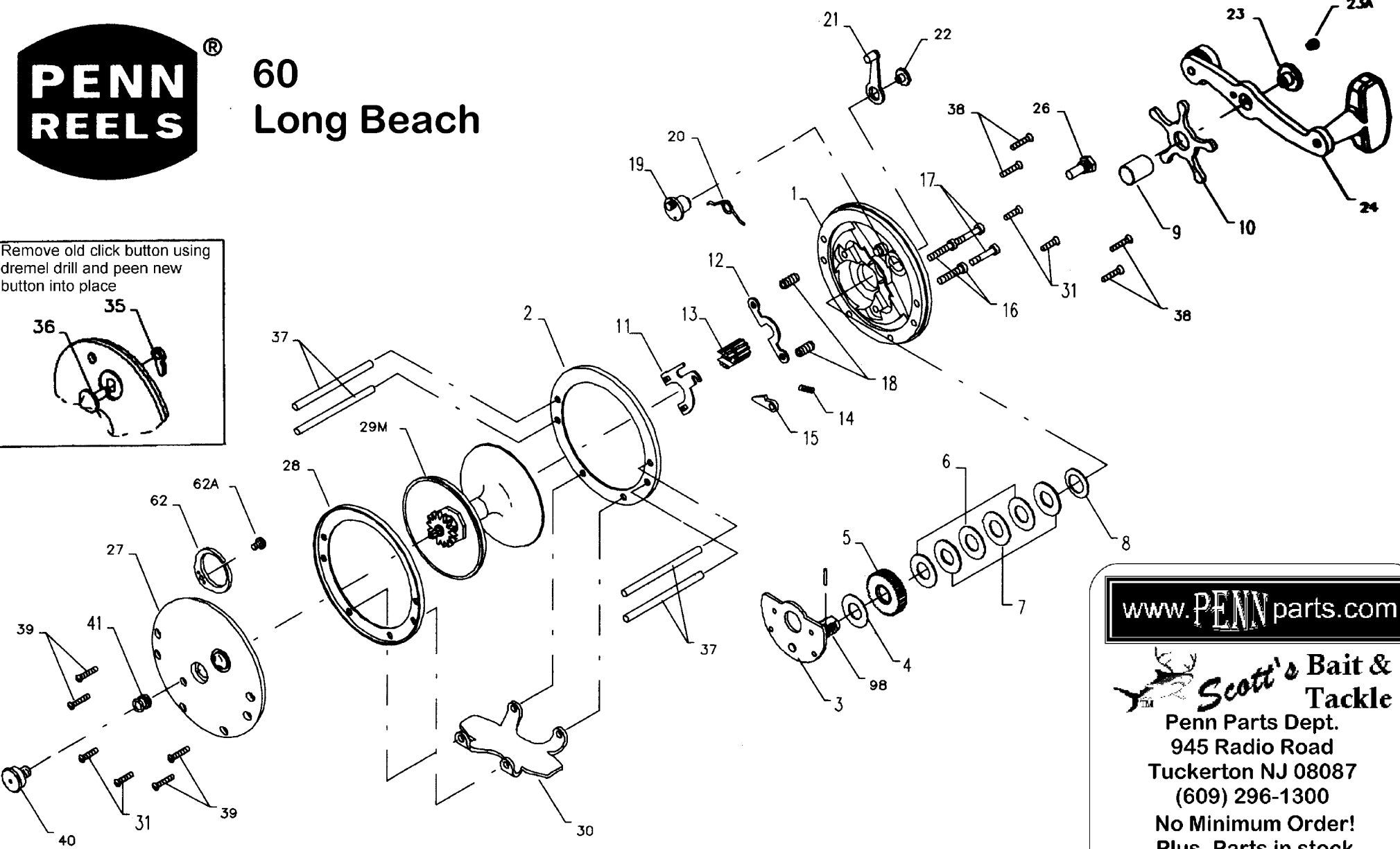




60 Long Beach

Remove old click button using dremel drill and peen new button into place



www.PENNparts.com

Scott's Bait & Tackle
 Penn Parts Dept.
 945 Radio Road
 Tuckerton NJ 08087
 (609) 296-1300
 No Minimum Order!
 Plus, Parts in stock
 that Penn doesn't
 carry anymore.

Penn Reel Parts list for Model: 60 Longbeach

| KEY PART | | | KEY PART | | |
|----------|---------|-----------------------------|----------|---------|--------------------------------|
| NO | NO. | DESCRIPTION | NO | NO. | DESCRIPTION |
| 1 | 1-60 | HANDLE SIDE PLATE | 22 | 22-60CH | ECCENTRIC SCREW |
| 2 | 2-60 | HANDLE SIDE RING | 23 | 23-60 | HANDLE SCREW |
| 3 | 3-66 | BRIDGE W/ SLEEVE | 23A | 110-60 | HANDLE LOCK SCREW |
| 4 | 4-60 | FIBER WASHER | 24 | 24-66 | HANDLE |
| 5 | 5-60 | MAIN GEAR | 26 | 26-60 | HANDLE SIDE BEARING |
| 6 | 6-60 | DRAG WASHER (3 REQ.) | 27 | 27-60 | NON-HANDLE SIDE PLATE ASSEMBLY |
| 7 | 7C-60 | METAL WASHER | 28 | 28-60 | NON-HANDLE SIDE RING |
| 8 | 8-60 | TENSION SPRING | 29 | 29L-85 | SPOOL |
| 9 | 9-60 | SPACING SLEEVE | 30 | 30-60 | STAND |
| 10 | 10-60 | STAR DRAG WHEEL | 31 | 39-4CH | STAND SCREW, BOTH SIDES |
| 11 | 11-60 | ECCENTRIC JACK | 35 | 35-60 | CLICK TONGUE |
| 12 | 12-60 | PINION YOKE | 36 | 36-209 | CLICK BUTTON |
| 13 | 13-85 | PINION | 37 | 37-60 | FRAME POST |
| 14 | 14-99 | DOG SPRING | 38 | 39-5 | POST SCREW, BOTH SIDES |
| 15 | 15-99 | DOG | 40 | 40-60 | NON-HANDLE SIDE BEARING |
| 16 | 16-60CH | LOWER BRIDGE SCREW (2 REQ.) | 41 | 41-60 | NON-HANDLE SIDE BEARING SPRING |
| 17 | 17-60CH | UPPER BRIDGE SCRW (2 REQ.) | 62 | 62-309 | CLICK SPRING |
| 18 | 18-60 | CLUTCH SPRING (2 REQ.) | 62A | 63-209 | CLICK SPRING SCREW |
| 19 | 19-60 | ECCENTRIC | 98 | 98-60 | GEAR SLEEVE |
| 20 | 20-60L | ECCENTRIC SPRING | | | |
| 21 | 21-285 | ECCENTRIC LEVER | | | |

NOTE: Many of www.pennparts.com schematics include changes that were either made by Penn, or errors found and corrected by our parts dept.
SBT Ver. 070415

Change: Older reels prior to 1953 used the 14-60 bent copper dog spring.
After 1953, this changed to the current 14-99 coiled dog spring.

CLICKER RELATED NOTES/PART CHANGE INFO

INSTALLATION:

To replace the click tongue on models where it is peened into place, use a dremel drill with a fine tip to remove the old click tongue and click button. Then peen the new 36-209 into place.

OPTIONAL:

Any reel that uses the 36-209 button can use:

36N-209 button and a 69B-600 removable c clip

This newer style is held by the clip instead of being peened in place.