

PENN PARTS LIST FOR MODEL 515MAG2

REEL PART NO. 1207532

www.PENNparts.com

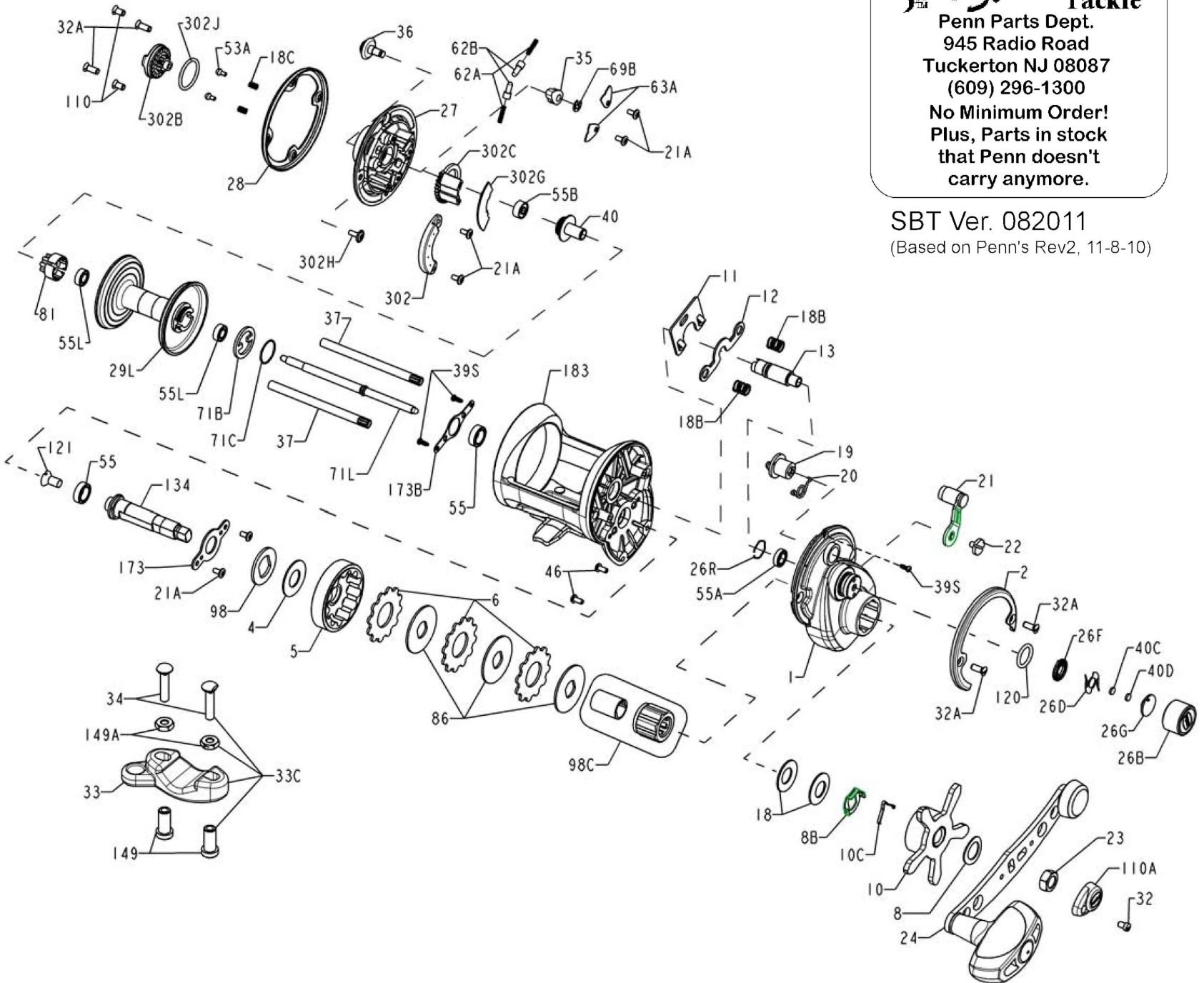
Scott's Bait & Tackle

Penn Parts Dept.
945 Radio Road
Tuckerton NJ 08087
(609) 296-1300

No Minimum Order!
Plus, Parts in stock
that Penn doesn't
carry anymore.

SBT Ver. 082011

(Based on Penn's Rev2, 11-8-10)



Penn Reel Parts list for Model: 515MAG2 (Series 2 - Limited Run)

KEY NO	Penn Part Number	PureFishing Part#	DESCRIPTION	KEY NO	Penn Part Number	PureFishing Part#	DESCRIPTION
1	1-525MAG2	1214640	HANDLE SIDE PLATE	37	37-515MAG2	1214663	FRAME POST (2 REQ.)
2	2-525MAG2	1214523	RING, RIGHT SIDE PLATE	39S	39-525	1183220	RIGHT SIDE PLATE SCREW
4	4-60	1180755	FIBER WASHER	40	40-525MAG2	1214664	BUSHING, LEFT SIDE SPINDLE
5	5-525MAG2	1214524	MAIN GEAR	40C	40C-525MAG2	1208115	METAL THRUST WASHER
6	6-TRQ40	1237037	FRICTION DRAG WASHER (3 REQ.)	40D	40D-525MAG2	1125771	RUBBER THRUST WASHER
8	8-60	1181056	TENSION SPRING WASHER	46	46-4300	1183567	SIDE PLATE SCREW (2 REQ.)
8	8-525MAG2	1214525	TENSION SPRING WASHER	53A	53A-5600	1183846	PIN, CLICK (2 REQ.)
10	10-525MAG2	1214526	STAR DRAG	55	55-525MAG2	1214665	BALL BEARING (2 REQ.)
10C	10C-525MAG2	1214527	DETENT SPRING	55A	55A-525MAG2	1214666	BALL BEARING
11	11-525MAG2	1214528	ECCENTRIC JACK	55B	55-113H	1183880	BALL BEARING
12	12-525MAG2	1214649	PINION YOKE	55L	55L-965	1192031	BALL BEARING (2 REQ.)
13	13-525MAG2	1214650	PINION GEAR	62A	62A-525MAG2	1214667	CLICK SPRING (2 REQ.)
18	18-525MAG2	1214651	TENSION SPRING(2 REQ.)	62B	62B-525MAG	1184038	CLICK PIN (2 REQ.)
18B	18-525	1181624	CLUTCH SPRING (2 REQ.)	63A	63A-525MAG2	1214668	CLICK SPRING COVER (2 REQ.)
18C	18C-15KG	1181624	SPRING (2 REQ.)	69B	69B-600	1184129	RETAINING RING
19	19-525MAG2	1216239	ECCENTRIC	71B	71B-525MAG2	1214669	CLUTCH PLATE
20	20-525	1181785	ECCENTRIC	71C	71C-525MAG2	1214670	CLUTCH PLATE RETAINER
21	21-525MAG2	1214704	ECCENTRIC LEVER	71L	71L-515MAG2	1214672	SPOOL SPINDLE
21A	21A-420G	1214652	SCREW (6 REQ.)	81	81-525MAG	1184210	CLICK RATCHET
22	22-525MAG2	1214705	ECCENTRIC SCREW	86	86-49L	1184251	WASHER, KEYED DRAG (3 REQ.)
23	23-555	1181950	HANDLE NUT	98	98-525MAG2	1214673	SPACER
24	24A-525MAG2	1214653	HANDLE	98C	98C-525MAG2	1216190	CLUTCH / SLEEVE ASSEMBLY
26B	26B-525MAG2	1214706	SPOOL TENSION CAP	110	110-50	1184436	SIDE PLATE SHORT SCREW
26D	26D-525MAG2	1125769	CLICK SPRING	110A	110A-525MAG2	1214675	HANDLE NUT LOCK CAP
26F	26F-525MAG2	1125768	CLICK PLATE "INNER"	120	120-113H	1184522	O-RING
26G	26G-525MAG2	1125772	CLICK PLATE "OUTER"	121	121-525	1184529	BEARING SCREW
26R	26R-525MAG2	1214654	RETAINING RING	134	134-525MAG2	1214676	GEAR STUD
27	27-515MAG2	1214655	LEFT SIDE PLATE	149	149-45	1184702	ROD CLAMP NUT (2 REQ.)
28	28-525MAG2	1214657	LEFT SIDE RING	149A	149-200	1184706	ROD CLAMP HEX NUT (2 REQ.)
29L	29L-515MAG2	1214634	ALUMINUM SPOOL	173	173-525MAG2	1214677	BEARING RETAINER
32A	32-310	1182722	SCREW (4 REQ.)	173B	173B-525MAG2	1214676	BEARING RETAINER
33	33N-113	1182754	ROD CLAMP	183	183-515MAG2	1214680	FRAME
33C	33C-525MAG2	1214659	ROD CLAMP KIT	302	302-525MAG2	1214681	ASSEMBLY, MAGNET HOUSING
34	34-45	1182788	ROD CLAMP SCREW (2 REQ.)	302B	302B-525MAG2	1214682	DIAL, BRAKE ADJUSTMENT
34C	34C-45	1182862	ROD CLAMP SCREWS W/ NUTS	302C	302C-525MAG2	1214683	CARRIER, MAGNET SHIELD
35	35-525MAG2	1214660	CLICK TONGUE	302G	302G-525MAG2	1214684	SHIELD, ADJUSTABLE MAGNET
36	36-525MAG2	1214661	CLICK BUTTON	302H	302H-525MAG2	1214685	SCREW
				302J	302J-525MAG2	1214686	O-RING

NOTE: Many of www.pennparts.com schematics include changes that were either made by Penn, or errors found and corrected by our parts dept.
SBT VER. 082915 (Based on Penn's Rev 3 1-11-12)

REPLACEMENTS

32 32-15 1182708 HANDLE LOCK SCREW THIS PART HAS TWO POSSIBLE SUBS:

Part number 32-525MAG2 is the right length, but has a slightly wider head so must press down while installing to get the threads to catch.
Part number 39-10 has the same head as the 32-15, but the screw itself is slightly longer and might interact with the drag star when it is all the way backed off. Could try filing it down to fit properly.