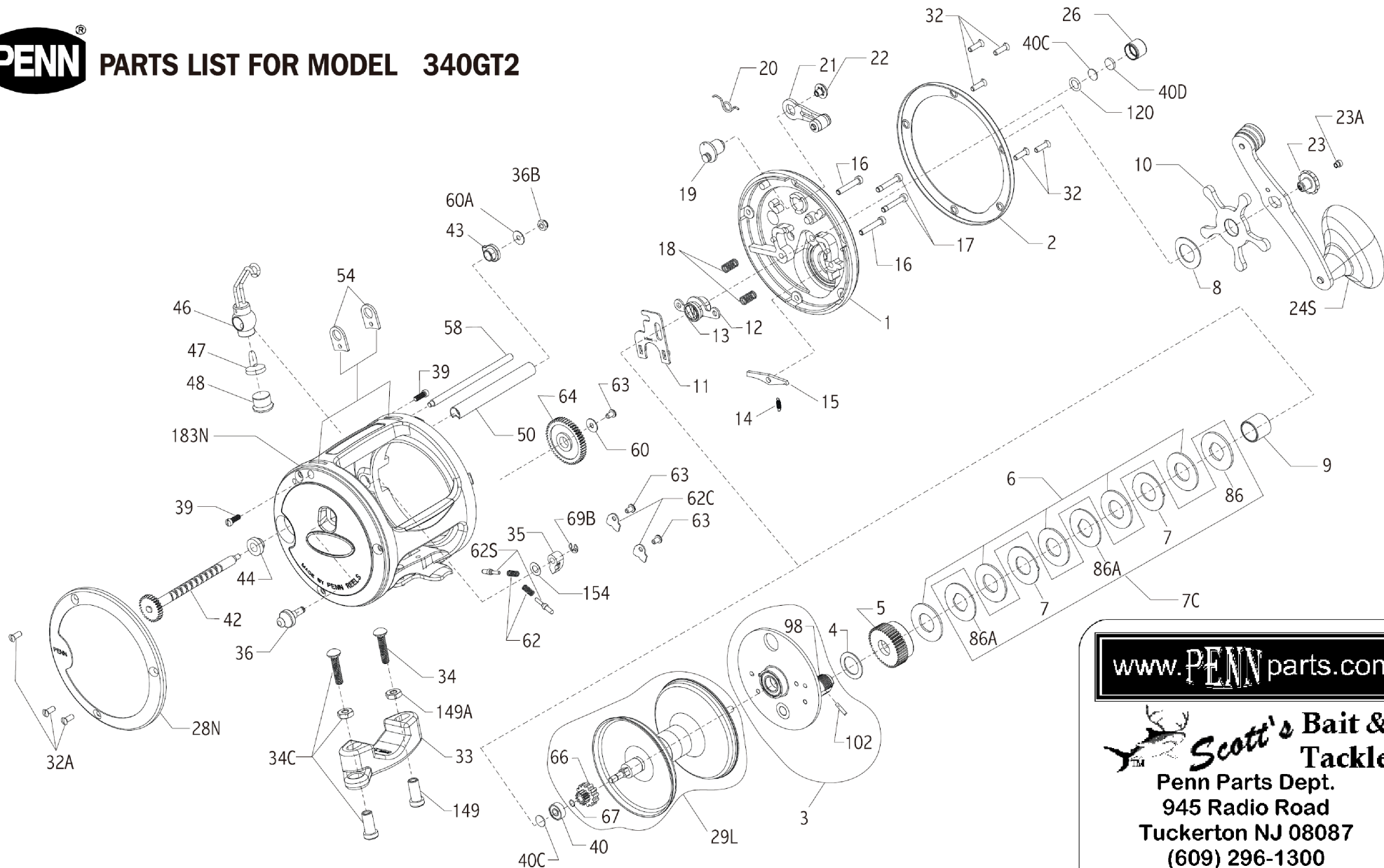


PENN PARTS LIST FOR MODEL 340GT2



NOTE: NOT ALL PARTS AT THE SAME SCALE

SBT Ver. 082110
based on Penn's Rev 4 (5/31/10)

www.PENNparts.com

Scott's Bait & Tackle
 Penn Parts Dept.
 945 Radio Road
 Tuckerton NJ 08087
 (609) 296-1300
 No Minimum Order!
 Plus, Parts in stock
 that Penn doesn't
 carry anymore.

Penn Reel Parts list for:

Model: 340GT2 made in China

KEY PART		PUREFISHING		KEY PART		PUREFISHING	
<u>NO</u>	<u>NO.</u>	<u>PART #</u>	<u>DESCRIPTION</u>	<u>NO</u>	<u>NO.</u>	<u>PART #</u>	<u>DESCRIPTION</u>
1	1-340GT2	1195524	R.S. OUTER PLATE	36B	36-700	1183014	WORM SHAFT NUT (LOCK NUT)
2	2-340GT2	1195525	RIGHT SIDE RING	39	39-4CH	1183179	SCREW, FOR LUG (2 EACH)
3	3-340GT2	1195526	BRIDGE ASSEMBLY	40	40-320	1183280	BALL BEARING
4	4-349	1180775	FIBER WASHER	40C	40C-320	1183310	METAL THRUST WASHER (2 REQ.) (1 UNDER CAP, 1OTHER SIDE OF SPOOL)
5	5-113H	1180843	MAIN GEAR				
6	6-113H	1180909	FRICTION DRAG WASHER (5 REQ.)	40D	40D-320	1183317	RUBBER THRUST WASHER
7	7-970	1181029	EARRED METAL DRAG WASHER (2 REQ.)	42	42-340GT2	1195535	WORM ASSEMBLY
7C	7C-113H2	1197506	METAL DRAG WASHER (SET)	43	43-340GT2	1195537	R.S. WORM BEARING
8	8-349	1181077	TENSION SPRING	44	44-340GT2	1195538	L.S. WORM BEARING
9	9-340GT2	1195527	SPACING SLEEVE	46	46-340GT2	1195541	LINE GUIDE CARRIAGE
10	10-340	1181197	STAR DRAG	47	47-340	1183625	PAWL
11	11-340GT2	1195528	ECCENTRIC JACK	48	48-330N	1183704	PAWL COVER SCREW
12	12-60	1181257	PINION YOKE	50	50-340GT2	1195539	WORM SHEILD
13	13-113H	1181317	PINION GEAR	54	54-113	1183856	HARNES LUG (2 REQ.)
14	14-330	1181402	DOG SPRING	58	58A-340GT2	1195542	LINE GUIDE POST
15	15-340GT2	1195529	DOG	60	60-320	1183991	IDLER GEAR WASHER
16	16-113H	1181570	LOWER BRIDGE SCREW (2 REQ.)	60A	60-320	1183991	WORM GEAR WASHER
17	17-113H	1181595	UPPER BRIDGE SCREW (2 REQ.)	62A	62A-310	1184033	CLICK SPRING (2 REQ.)
18	18-60	1181615	CLUTCH SPRING (2 REQ.)	62C	62C-321LH	1184041	CLICK SPRING COVER (2 REQ.)
19	19-340GT2	1195530	ECCENTRIC CAM	62S	62S-310	1192075	CLICK PIN (2 REQ.)
20	20-155	1181769	ECCENTRIC SPRING	63	63-500S	1184052	IDLER GEAR SCREW (3 REQ.)
21	21-340GT2	1195531	ECCENTRIC LEVER	64	64-340GT2	1195544	IDLER GEAR
22	22-60CH	1181908	ECCENTRIC SCREW	66	66-320	1184093	SPOOL GEAR CLICK RATCHET
23	23-114	1181945	HANDLE ASSEMBLY SCREW	67	67-9	1184102	SPOOL GEAR LOCK RING
23A	110-60	1184437	HANDLE LOCK SCREW	69B	69B-600	1184129	RETAINING RING
24	24S-225	1191341	HANDLE ASSEMBLY	86	86-113H	1184253	DRAG WASHER METAL KEYED (060)
26	26-340	1203720	SPOOL TENSION CONTROL SCREW	86A	86-970	1184253	DRAG WASHER METAL KEYED (036) (2 REQ.)
28	28-340GT2	1195532	LEFT SIDE RING	98	98-340GT2	1195545	GEAR SLEVE W/PIN
29L	29L-340GT2	1195533	ALUMINUM SPOOL	102	102-113	1192230	PIN
32	32-17	1182710	R.S. PLATE SCREW (5 REQ.)	120	120-340GT2	1203719	O-RING
32A	32-310	1182722	L.S. RING SCREW (3 REQ.)	149	149-45	1184702	ROD CLAMP NUT (2 REQ.)
33	33-114H	1197532	ROD CLAMP	149A	149-200	1184706	ROD CLAMP HEX NUT (2 REQ.)
34	34-45	1182788	ROD CLAMP SCREW (2 REQ.)	154	154-117	1184721	CLICK BUTTON WASHER
34C	34C-45	1182862	ROD CLAMP SCREW W/ NUTS	183	183N-340GT2	1195546	FRAME
35	35-310N	1182922	CLICK TONGUE				
36	36-330	1191700	CLICK BUTTON				

NOTE: Many of www.pennparts.com schematics include changes that were either made by Penn, or errors found and corrected by our parts dept.
SBT VER. 082110 based on Penn's Rev. 4 (5/31/10)