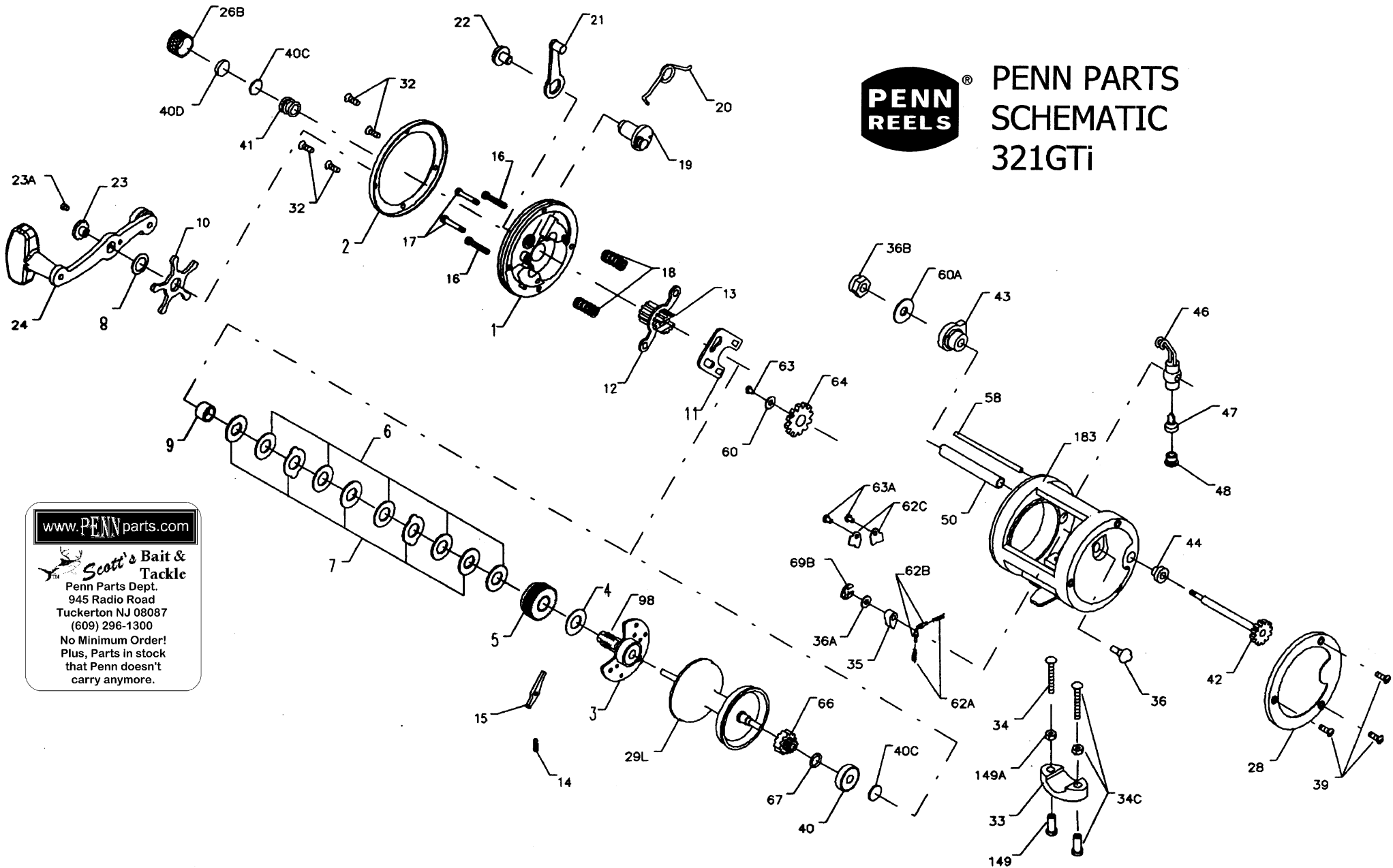




PENN PARTS SCHEMATIC 321GTi



www.PENNparts.com

Scott's Bait & Tackle

Penn Parts Dept.
945 Radio Road
Tuckerton NJ 08087
(609) 296-1300

No Minimum Order!
Plus, Parts in stock
that Penn doesn't
carry anymore.

Penn Reel Parts list for:

Model: 321GTi-LH

KEY PART			KEY PART		
NO	NO.	DESCRIPTION	NO	NO.	DESCRIPTION
1	1-321LH	SIDE PLATE	34C	34C-45	CLAMP SCREW W/ NUTS
2	2-321LH	SIDE RING	35	35-320	CLICK TONGUE
3	3-321LH	BRIDGE ASSEMBLY	36	36-320	CLICK BUTTON
4	4-349	FIBER WASHER	36A	36A-40	CLICK BUTTON WASHER
5	5-321LH	MAIN GEAR	36B	36-700	WORM SHAFT NUT
6	6-320	FRICTION DRAG WASHER (5 REQ.)	39	110-50	FRAME SCREW (3 REQ.)
7	7C-113H	METAL DRAG WASHER (SET OF 5)	40	40-320	BALL BEARING
8	8-349	TENSION SPRING	40C	40C-320	METAL THRUST WASHER (2 REQ.)
9	9-320	SPACING SLEEVE	40D	40D-320	RUBBER THRUST WASHER
10	10-321LH	STAR DRAG	41	41-330	RIGHT SIDE THRUST SPRING
11	11-321LH	ECCENTRIC JACK	42	42-320N	WORM
12	12-155	PINION YOKE	43	43-330	RIGHT SIDE WORM BEARING
13	13-321LH	PINION GEAR	44	44-330	LEFT SIDE WORM BEARING
14	14-330	DOG SPRING	46	46-320N	LINE GUIDE CARRIAGE
15	15-320	DOG	47	47-320	PAWL
16	16-113H	LOWER BRIDGE SCREW (2 REQ.)	48	48-330N	PAWL COVER SCREW
17	17-113H	UPPER BRIDGE SCREW (2 REQ.)	50	50N-320	WORM SHEILD
18	18-60	CLUTCH SPRING (2 REQ.)	58	58-320	LINE GUIDE POST
19	19-321LH	ECCENTRIC CAM	60	60-320	IDLER GEAR WASHER
20	20-321LH	ECCENTRIC SPRING	60A	60-320	IDLER GEAR WASHER
21	21-285	ECCENTRIC LEVER ASSEMBLY	62A	62A-310	CLICK SPRING (2 REQ.)
22	22-60CH	ECCENTRIC SCREW	62B	62B-310	CLICK PIN
23	23-114	HANDLE ASSEMBLYS SCREW	62C	62C-321LH	CLICK SPRING COVER
23A	110-60	HANDLE LOCK SCREW	63	63-500S	IDLER GEAR SCREW
24	24-320	HANDLE ASSEMBLY	63A	63-500S	CLICK SPRING SCREW (2 REQ.)
26B	26B-320	SPOOL TENSION CONTROL CAP	64	64-320	IDLER GEAR
28	28-321LH	L.S. RING	66	66-320	SPOOL GEAR CLICK RATCHET
29L	29L-320	ALUMINUM SPOOL	67	67-9	SPOOL GEAR LOCK RING
32	32-17	SIDE PLATE SCREW (4 REQ.)	69B	69B-600	RETAINING RING (CLICK BUTTON)
33	33-113	ROD CLAMP	98	98-321LH	GEAR SLEEVE
*	33R-200	RINGED ROD CLAMP (OPTIONAL)	149	149-45	CLAMP NUT ONLY
34	34-45	CLAMP SCREW	149A	149-200	HEX NUT ONLY
* Not Shown			183	183-321LH	FRAME

NOTE: Many of www.pennparts.com schematics include changes that were either made by Penn, or errors found and corrected by our parts dept.