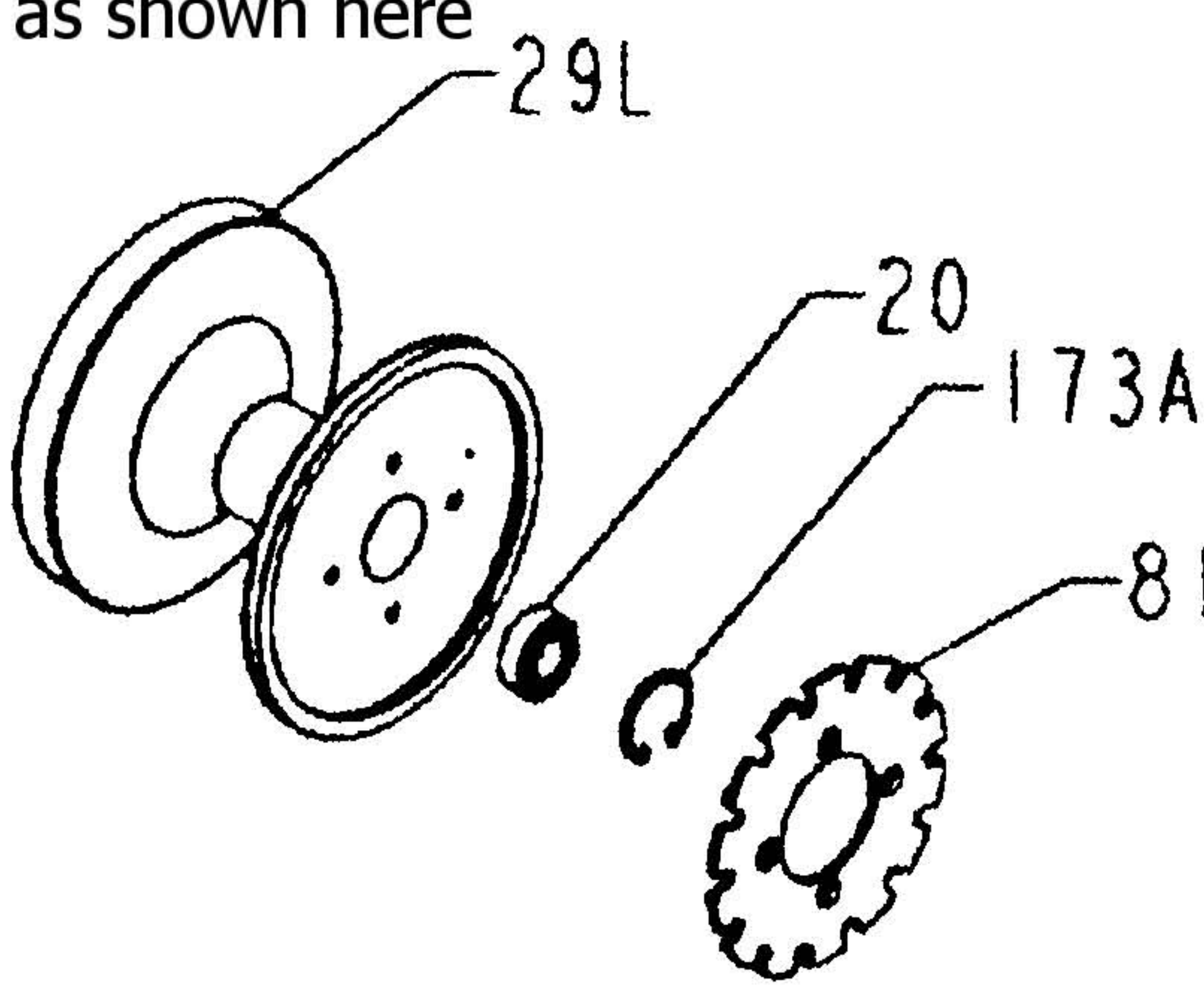


16VSX V Series International

Early Run Parts

as shown here

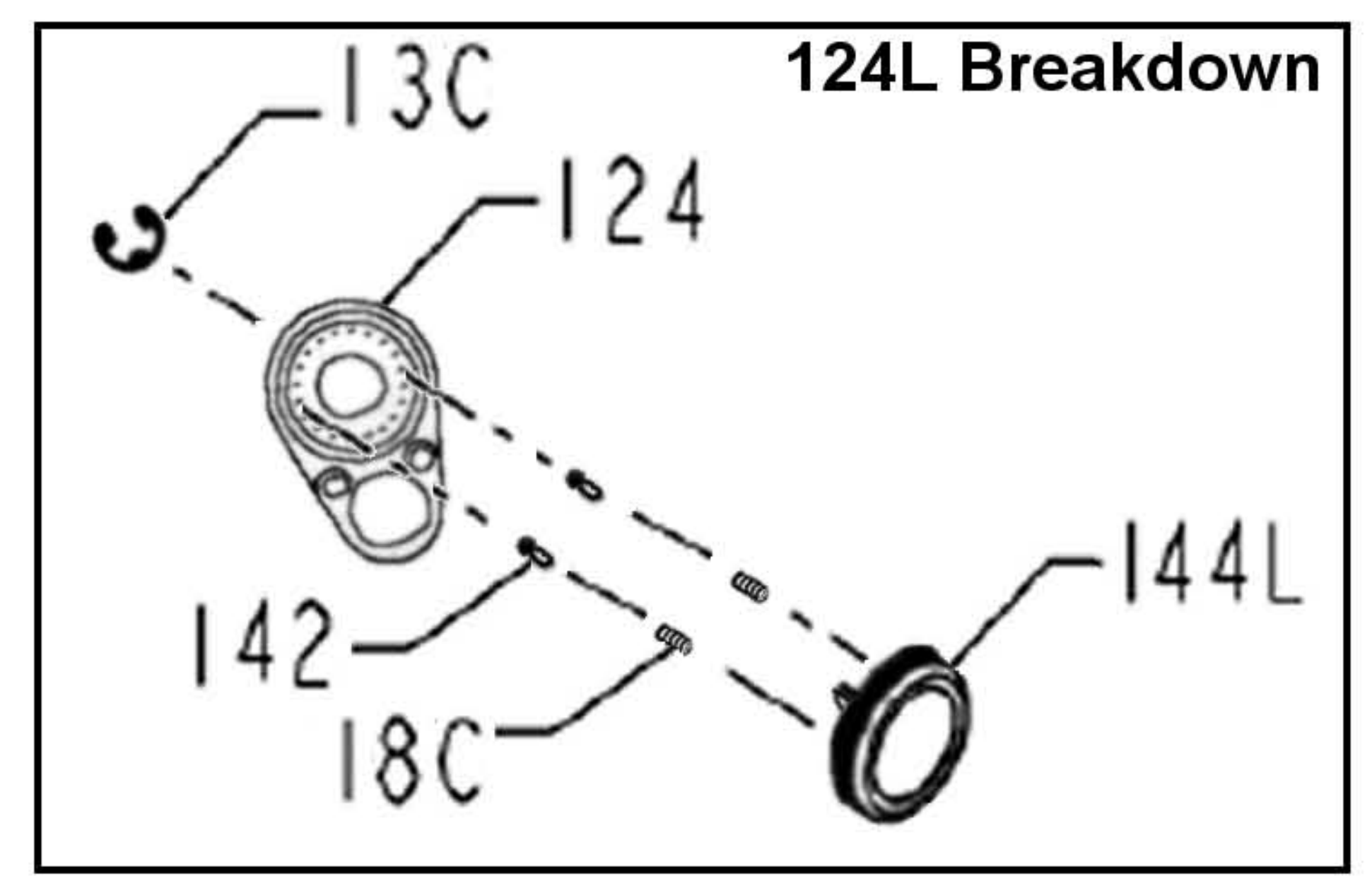
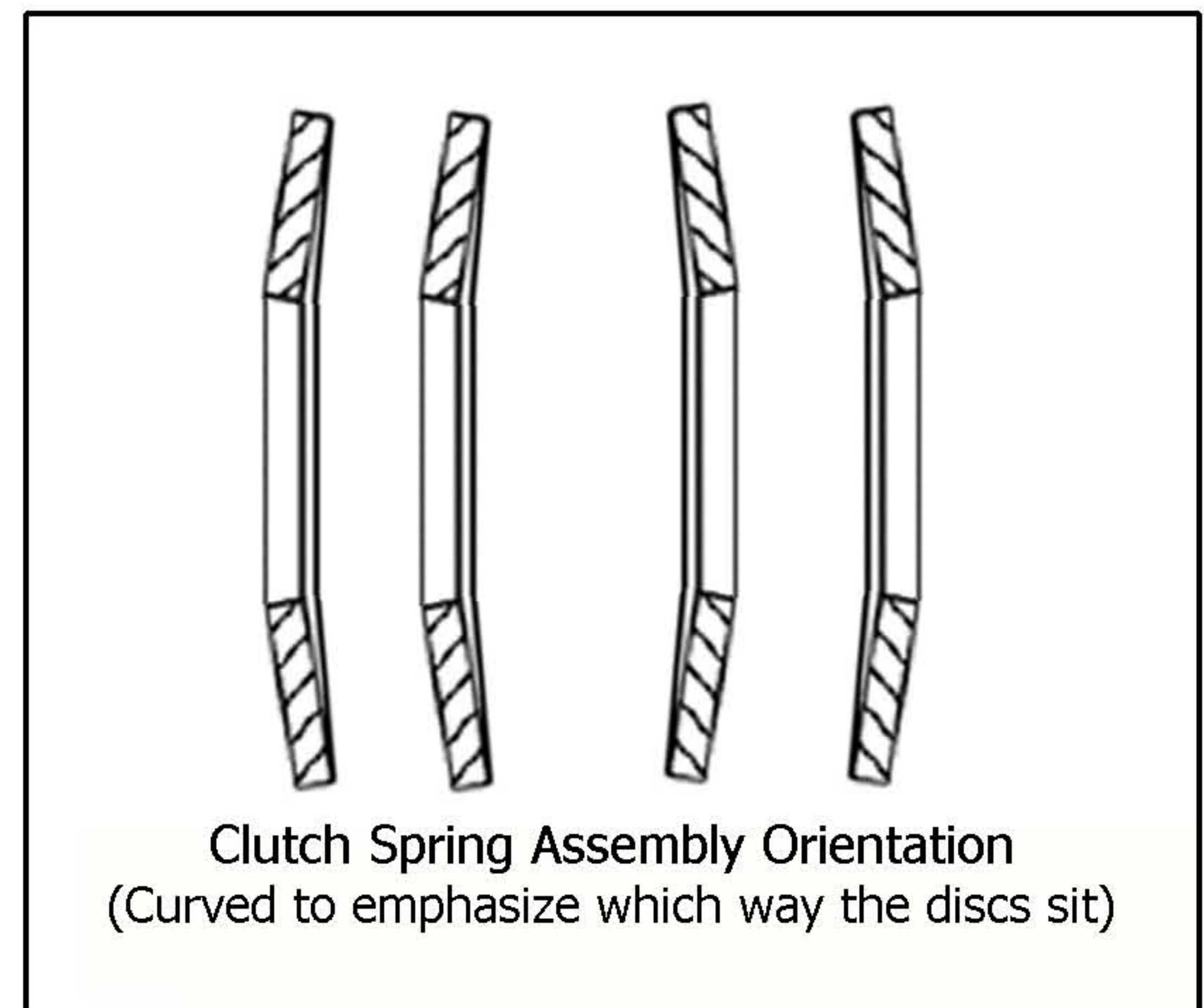
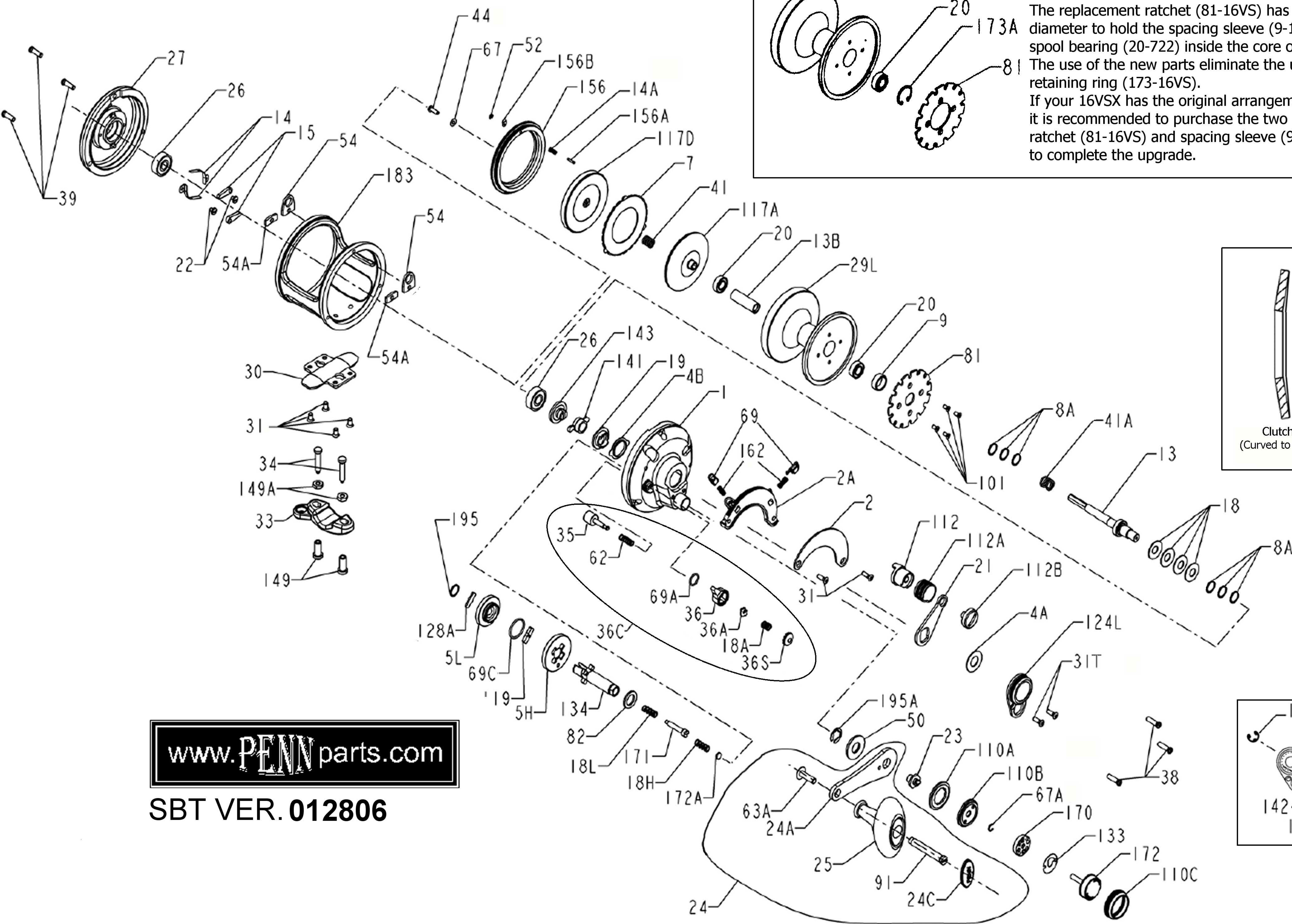


Design Change As of REV. 11/18/05

The first series 16VSX reels did not have a spacing sleeve (9-16VS) or the specific ratchet (81-16VS).

The replacement ratchet (81-16VS) has a smaller center hole diameter to hold the spacing sleeve (9-16VS) and spool bearing (20-722) inside the core of the spool. The use of the new parts eliminate the use of the retaining ring (173-16VS).

If your 16VSX has the original arrangement, it is recommended to purchase the two parts: ratchet (81-16VS) and spacing sleeve (9-16VS) to complete the upgrade.



www.PENNparts.com

SBT VER. 012806

Penn Reel Parts list for:

Model: 16VSX INTERNATIONAL V Series

KEY NO	PART NO.	DESCRIPTION	KEY NO	PART NO.	DESCRIPTION
1	1-16VS	R.S. PLATE ASSEMBLY	44	44-710	PINION GEAR SCREW
2	2-16VS	QUADRANT RING	50	50-30VS	GEAR STUD SHEILD
2A	2A-16VS	QUADRANT RATCHET PLATE	52	52-16VS	RETAINING RING
4	4-12LT	THRUST WASHE R	54	54-16S	HARNESS LUG (2 REQ.)
4A	4-30VS	CAM THRUST WASHE R	54A	54A-16VS	HARNESS LUG PLUG (2 REQ.)
5H	5-16VSHSX	MAIN GEAR HIGH SPEED	62	62-50	CLICK SPRING
5L	5-16VLSX	MAIN GEAR LOW SPEED	63A	63A-16VS	HANDLE KNOB SHAFT SCREW
7	7-16VS	METAL DRAG WASHER	67	67-16VS	PINION GEAR WASHER
8A	8A-3000	SHIM	67A	67-30VS	RETAINING RING F/SHIFT BUTTON
9	9-16VS	SPACING SLEEVE	69	69-12VS	LOCATING PIN (2 REQ.)
13	13-16VSX	PINION GEAR	69A	69-16VS	RETAINING RING F/CLICK BUTTON
13B	13B-16VS	SPOOL SLEEVE	69C	69C-245	RETAINING RING, MAIN GEAR HS
13C	13C-30VS	PRESET KNOB RETAINING RING	81	81-16VS	RATCHET (EARLY RUNS HAD 81-16S)
14	14-16S	DOG SPRING (2 REQ.)	82	82-24KG	SHIM
14A	14-99	DOG SPRING	91	91-16VS	HANDLE RIVET
15	15-50	DOG (2 REQ.)	101	101-30	DRIVE PLATE SCREW (4 REQ.)
18	18-16VS	DISC CLUTCH SPRING (4 REQ.)	110A	110A-30VS	RING
18A	18-525	CLICK SPRING	110B	110B-30VS	SHIFT BASE
18C	18C-15KG	PRESET KNOB SPRING (2 REQ.)	110C	110C-30VS	SHIFT BUTTON RETAINER
18H	18H-30VS	SHIFT SPRING (HEAVY)	112	112-30VS	ECCENTRIC LEVER KNOB ASSEMBLY
18L	18L-30VS	SHIFT SPRING (LIGHT)	112A	112A-30VS	KNOB SLEEVE
19	19-16VS	ECCENTRIC CAM	112B	112B-70	ECCENTRIC KNOB SCREW
20	20-722	SPOOL BALL BEARING (2 REQ)	117A	117AN-16VS	INNER DRIVE PLATE ASSEMBLY
21	21-16VS	ECCENTRIC LEVER	117D	117DN-16VS	OUTER DRIVE PLATE ASSEMBLY
22	22-109	DOG SPRING SCREW (2 REQ.)	119	119-24KG	SHIFT PLATE
23	23-30VS	HANDLE/SHIFT BUTTON SCREW	124	124-16VS	BRIDGE COVER (ONLY AVAILABLE AS PART OF 124L-16VS ASSEMBLY)
24	24-16VS	HANDLE COMPELTE	124L	124L-16VS	BRIDGE COVER ASSEMBLY
24A	24A-16VS-1	HANDLE BLANK ONLY	128A	128A-24KG	CAM HOUSING
24C	24C-113HN	HANDLE KNOB CAP	133	133-30VS	RETAINING PLATE
25	25-113HN	HANDLE KNOB	134	134-16VS	GEAR STUD
26	26N-40	BALL BEARING (2 REQ.)	141	141-30VS	CAM FOLLOWER
27	27-16VS	L.S. PLATE	142	142-16VS	PRESET KNOB PIN (2 REQ.)
29	29L-16VS	SPOOL	143	143-16VS	PRESET SCREW
30	30-16VS	STAND	144L	144L-16VS	PRESET KNOB
31	31-16VS	STAND SCREW (4 REQ.)	149	149-45	ROD CLAMP NUT (2 REQ.)
31T	31T-70	SHORT SCREW (4 REQ.)	149A	149-200	ROD CLAMP LONG NUT (2 REQ.)
32	110-50	QUADRANT SCREW (3 REQ.)	156	156-16VS	DRAG COVER
33	33-16VS	ROD CLAMP, IRON ALLOY	156A	156A-16VS	PIN
34	34-16VS	CLAMP SCREW (2 REQ.)	156B	156B-16VS	PLATE
34C	34C-16VS	ROD CLAMP SCREW W/ NUT	162	162-50	LOCATING PIN SPRING (2 REQ.)
35	35-16VSX	CLICK TONGUE	170	170-30VS	CATCH ASSEMBLY
36	36-16VS	CLICK BUTTON	171	171-15KG	SHIFT PLUNGER
36A	36A-16VS	CLICK BUTTON NUT	172	172-30VS	SHIFT BUTTON
36C	36C-16VS	CLICK BUTTON ASSEMBLY	172A	172A-15KG	SPACER
36S	36S-16VS	CLICK BUTTON CAP	173	173-16VS	RETAINING RING (EARLY RUN ONLY)
38	38-16VS	R.S. PLATE SCREW (3 REQ.)	183	183-16VS	TUBE FRAME
39	39-16VS	L.S. PLATE SCREW (3 REQ.)	195	195-24KG	RETAINING RING, MAIN GEAR LS
41	41-109	L.S. BEARING SPRING	195A	195-40	RETAINING RING F/ SHIFT BUTTON ON HANDLE SIDE
41A	41-60	DRAG SPRING			

**NOTE: Many of www.pennparts.com schematics include changes that were either made by Penn, or errors found and corrected by our parts dept.
SBT VER. 041206**

ADDITIONAL NOTES	USES WRENCHES: 168-60, 168-30VS, 168A-70
	BAG: 111-50