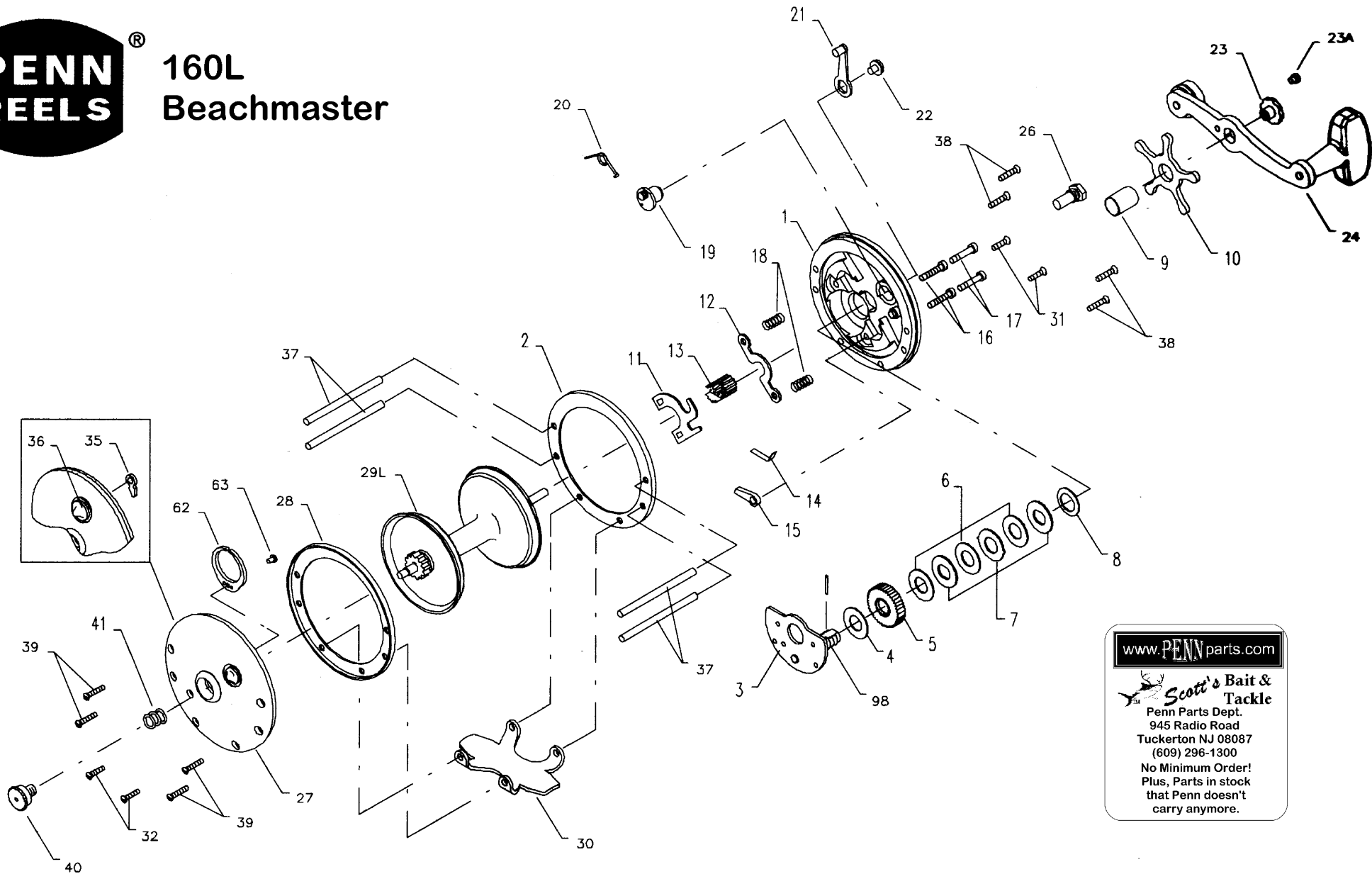


160L Beachmaster



www.PENNparts.com
Scott's Bait & Tackle
Penn Parts Dept.
945 Radio Road
Tuckerton NJ 08087
(609) 296-1300
No Minimum Order!
Plus, Parts in stock
that Penn doesn't
carry anymore.

Penn Reel Parts list for: Model: 160L

KEY PART			KEY PART		
NO	NO.	DESCRIPTION	NO	NO.	DESCRIPTION
1	1-160	HANDLE SIDE PLATE	23	23-60	HANDLE SCREW
2	2-155	HANDLE SIDE RING	23A	110-60	HANDLE LOCK SCREW
3	3-155	BRIDGE W/ SLEEVE	24	24-160	HANDLE
4	4-155	FIBER WASHER	26	26-155	HANDLE SIDE BEARING
5	5-155	MAIN GEAR	27	27-155	NON-HANDLE SIDE PLATE
6	6-155	DRAG WASHER (3 REQ.)	28	2-155	NON-HANDLE SIDE PLATE
7	7c-155	METAL WASHER SET	29	29L-150	SPOOL
8	8-60	TENSION SPRING	30	30-65	STAND
9	9-60	SPACING SLEEVE	31	32-22	HANDLE SIDE STAND SCREW (2 RE
10	10-60	STAR DRAG WHEEL	32	32-14CH	NON-HANDLE SIDE STAND SCREW
11	11-155	ECCENTRIC JACK	35	35-155	CLICK TONGUE
12	12-155	PINION YOKE	36	36-155CH	CLICK BUTTON
13	13-155	PINION	37	37-160	FRAME POST
14	14-155	DOG SPRING	38	38-8	HANDLE SIDE PLATE SCREW (4 REC
15	15-155	DOG	39	39-4	NON-HANDLE SIDE POST SCREW (
16	16-60CH	LOWER BRIDGE SCREW	40	40-60	NON-HANDLE SIDE BEARING
17	17-60CH	UPPER BRIDGE SCREW	41	41-60	NON-HANDLE SIDE BEARING SPRIN
18	18-60	CLUTCH SPRING	62	62-209	CLICK SPRING
19	19-155	ECCENTRIC	63	63-209	CLICK SPRING SCREW
20	20-155	ECCENTRIC SPRING	98	98-155	GEAR SLEEVE
21	21-155	ECCENTRIC LEVER	*	149-200	HEX NUT (2-REQ.)
22	22-60CH	ECCENTRIC SCREW	*	152-200	WING NUT (2 REQ.)

** Not Shown*

NOTE: Many of www.pennparts.com schematics include changes that were either made by Penn, or errors found and corrected by our parts dept.