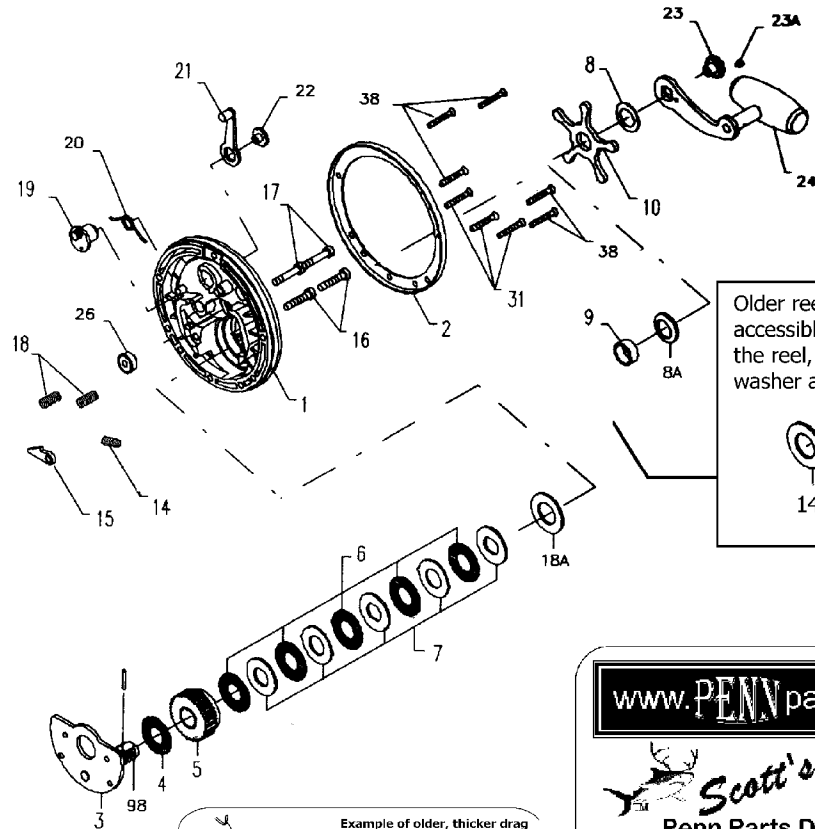
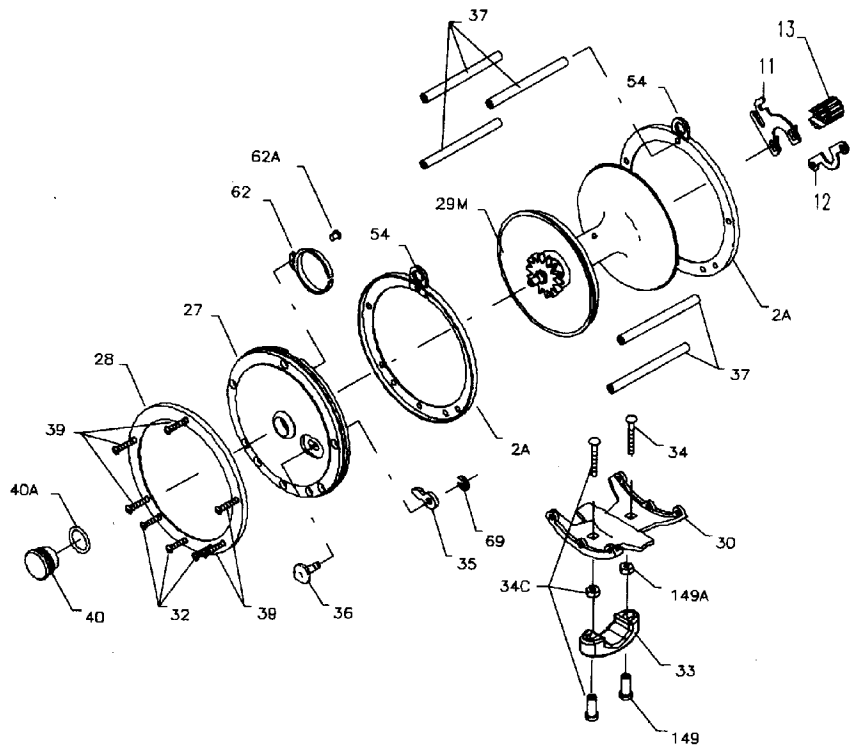


® 6/0 Senator
114H with posts
Prior to 1996



Older reels had drags accessible from outside the reel, using the 140 felt washer and the 136 collar/cap. Those older reels did not have a 9 collar or the 8A washer between the 9 and the star drag.

On very early models it has been reported that the dog spring is a bent copper style. Replace dog and spring if so to new versions.

Example of older, thicker drag washer stack from the 1940's

When converting to the thinner HT100 drag stack which has more washers, an extra metal washer may be required to fill in possible excess space in the older side plate

www.PENNparts.com

Scott's Bait & Tackle
Penn Parts Dept.
945 Radio Road
Tuckerton NJ 08087
(609) 296-1300

**No Minimum Order!
Plus, Parts in stock
that Penn doesn't
carry anymore.**

SBT Ver 102816

Penn Reel Parts list for Model: 114H 6/0 Senator, Posts, No Frame

KEY NO.	PART NO.	DESCRIPTION	KEY NO.	PART NO.	DESCRIPTION
1	1-114H	Handle Side Plate	24	24-115	Handle
2	2-114H-O	Handle Side Ring Outer	26	26-116	Bearing Handle Side
2A	2-114-I	Handle/Non-Handle Side Ring Inner	28	2-114-O	Non-Handle Side Ring Outer
3	3-114H	Bridge with Sleeve	29	29L-114HL	Spool, Aluminum
4	4-115	Fiber Washer	30	30-114	Stand
5	5-115	Main Gear	31	31-11	Handle Side Stand Screw (3 Required)
6	6-115	Drag Washer	32	32-20	Non-Handle Side Stand Screw (3 Required)
7	7C-115	Metal Drag Washer Set	33	33-340	Rod Clamp
8	8-114	Tension Spring (Thin)	**	33R-114	Ringed Rod Clamp (Optional)
8A	8-115	Tension Spring (Thick)	34	34-45	Clamp Screw (2 Required)
9	9-114H	Spacing Sleeve	34C	34C-45	Rod Clamp Screw with Nuts
10	10-114	Star Drag Wheel	35	35-114	Click Tongue
11	11-114	Eccentric Jack	36	36-114H	Click Button
12	12-114	Pinion Yoke	37	37-114	Frame Post
13	13-114H	Pinion	38	39-13	Handle Side Post Screw (5 Required)
14	14-114	Dog Spring	39	39-12	Non-Handle Side Post Screw (5 Required)
15	15-114H	Dog	54	54-114	Harness Lug (2 Required)
16	16-114	Bridge Screw Lower (2 Required)	62	62-114	Click Spring
17	17-114	Bridge Screw Upper (2 Required)	62A	63-209	Click Spring Screw
18	18-114	Clutch Spring	69	69B-600	Retaining Ring
18A	18-114H	Spring Disc	98	98-114	Gear Sleeve
19	19-114	Eccentric	149	149-45	Clamp Nut (2 Required)
20	20-114	Eccentric Spring	149A	149-200	Hex Nut (2 Required)
21	21-114	Eccentric Lever			
22	23-60	Eccentric Screw			
23	23-116	Handle Screw			
23A	110-60	Handle Lock Screw			

** = *not on schematic*

NOTE: Many of www.pennparts.com schematics include changes that were either made by Penn, or errors found and corrected by our parts dept.

SBT Ver 102816

THESE OLD STYLE PARTS ARE NOT AVAILABLE:

- 136 136-114H Collar (old style outer access drags)
- 140 140-114H Felt Washer (old style outer access drags)

OLDER 114H

- 27 27-114H Non-Handle Side Plate
W/ RAISED METAL SLOTTED EDGE
WHERE THE BEARING SITS
- 40 40-114H Non-Handle Side Bearing

LATER 114H

- 27 27N-114H Non-Handle Side Plate
W/ NO EDGE AT ALL WHERE THE BEARING SITS
RECESSED INTO PLATE AND BEARING HAS O'RING
- 40 40-114HL Non-Handle Side Bearing (Wider)
- 40A 120-114H O-RING FOR THE 40-114HL

NOTE ** 114H bearings do not use a spring like on some of the other conventional reels.