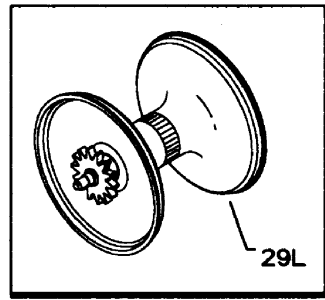
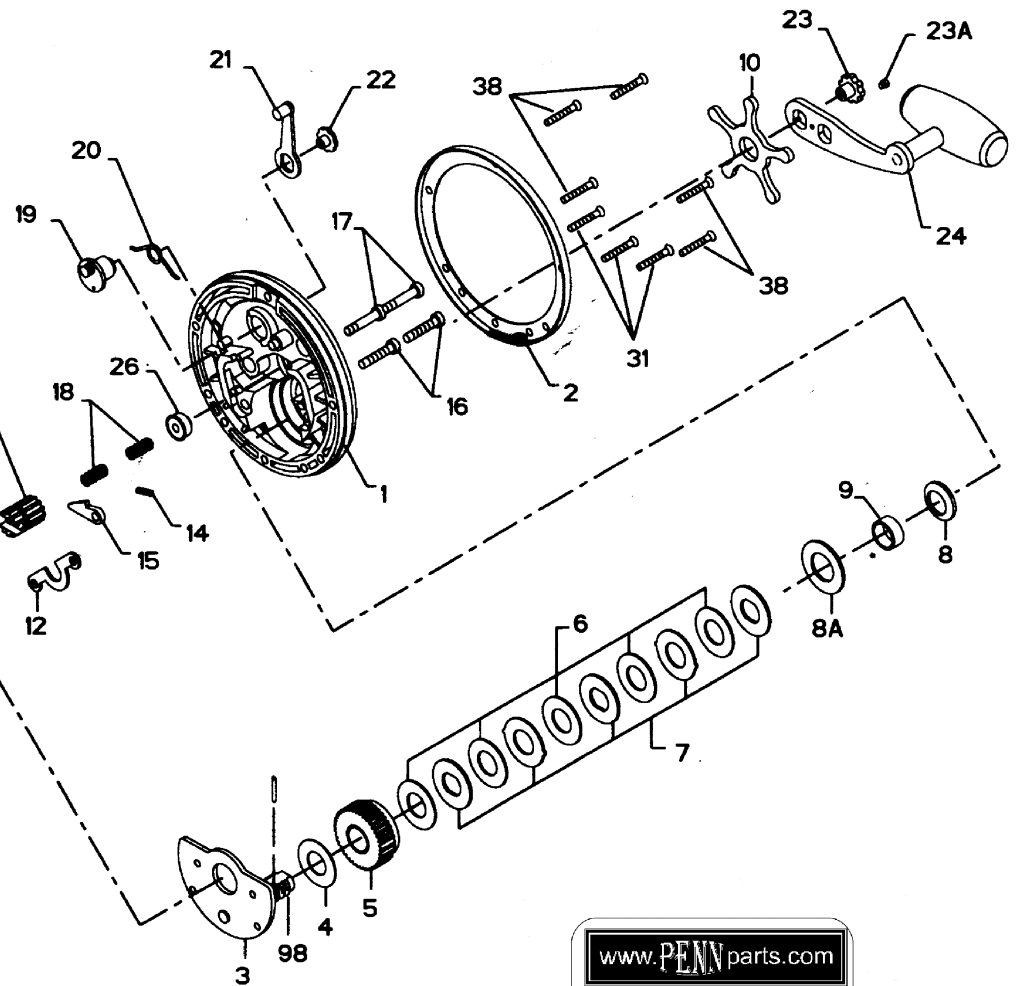




4/0 Senator  
113H  
w/ posts and clicker  
Post 1996

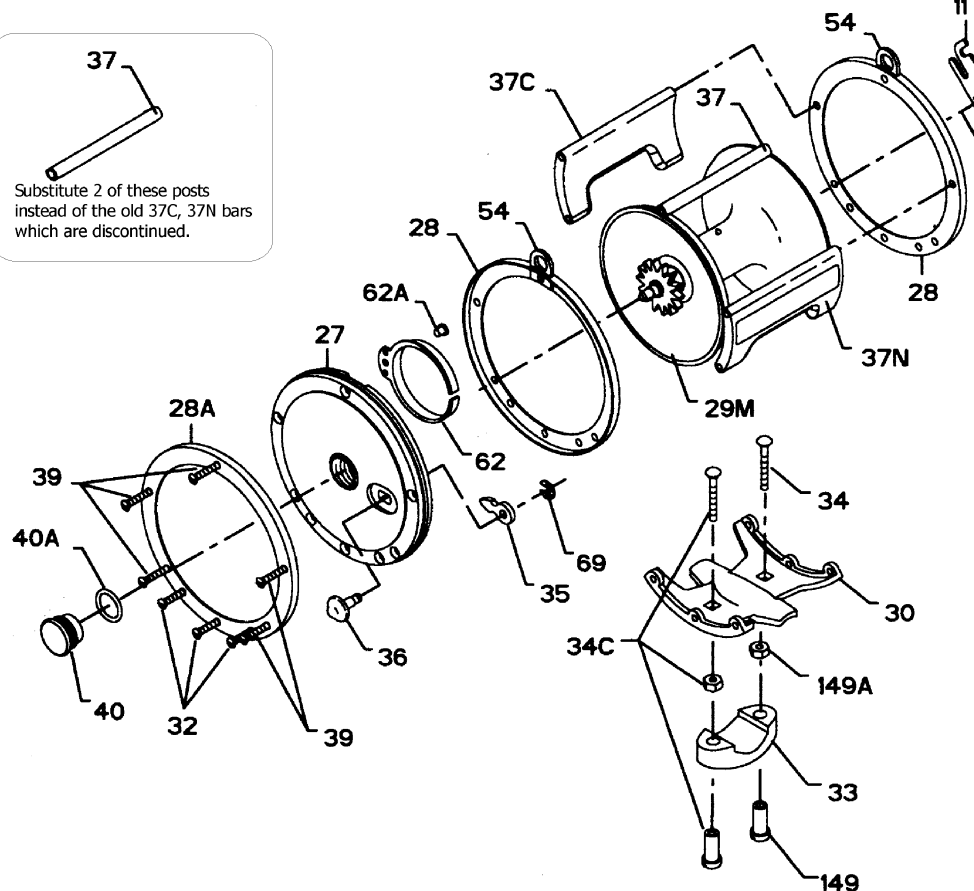


29L



37

Substitute 2 of these posts  
instead of the old 37C, 37N  
which are discontinued.



[www.PENNparts.com](http://www.PENNparts.com)

**Scott's Bait & Tackle**  
Penn Parts Dept.  
945 Radio Road  
Tuckerton NJ 08087  
(609) 296-1300  
No Minimum Order!  
Plus, Parts in stock  
that Penn doesn't  
carry anymore.

# Penn Reel Parts list for Model: 113H (1996 Version w/metal posts and replaceable clicker)

KEY PART	KEY PART	KEY PART	KEY PART	
NO	NO.	DESCRIPTION	DESCRIPTION	
1	1N-113H	HANDLE SIDE PLATE	28 2-113-I	INNER SIDE RING
2	2-113H-O	OUTER RING SIDE RING	28A 2-113-O	OUTER NON-HANDLE SIDE RING
3	3-113H	BRIDGE W/ SLEEVE	29L 29L-113HL	SPOOL
4	4-349	FIBER WASHER	30 30-113	STAND
5	5-113H	MAIN GEAR	31 32-18	HANDLE SIDE STAND SCREW
6	6-113H	DRAG WASHER (5 REQ.)	32 32-17	NON-HANDLE SIDE STAND SCREW
7	7C-113H	METAL WASHER SET	33 33-113	ROD CLAMP
8	8-349	TENSION SPRING	* 33R-200	RINGED ROD CLAMP (OPTIONAL)
8A	18-970	TENSION SPRING DRAG	34 34-45	CLAMP SCREW (ONLY)
9	9-113H	SPACING SLEEVE	34C 34C-45	ROD CLAMP SCREW W/ NUTS
10	10-349	STAR DRAG WHEEL	35 35-60	CLICK TONGUE
11	11-113	ECCENTRIC JACK	36 36-113	CLICK BUTTON
12	12-60	PINION YOKE	37 37-113	FRAME POST
13	13-113H	PINION	37C 37C-113HL	SPACER BAR (REAR) ("Senator II")
14	14-99	DOG SPRING	37N 37N-113H	SPACER BAR (FRONT) ("113H")
15	15-113H	DOG	38 39-9	HANDLE SIDE POST SCREW
16	16-113H	LOWER BRIDGE SCREW	39 39-3	NON-HANDLE SIDE POST SCREW
17	17-113H	UPPER BRIDGE SCREW	40 **40-113HL	NON-HANDLE SIDE BEARING WITH O RING
18	18-60	CLUTCH SPRING	40A 120-113H	NON-HANDLE SIDE BEARING O-RING (ONLY)
19	19-113	ECCENTRIC	54 54-113	HARNESS LUG
20	20-155	ECCENTRIC SPRING	62 62-309	CLICK SPRING
21	21-66	ECCENTRIC LEVER	62A 63-209	CLICK SPRING SCREW
22	22-99	ECCENTRIC SCREW	69 69B-600	RETAINING RING
23	23-114	HANDLE SCREW	98 98-320	GEAR SLEEVE
23A	110-60	HANDLE LOCK SCREW	149 149-45	CLAMP NUT
24	24-113H	HANDLE	149A 149-200	HEX NUT
26	26-113H	HANDLE SIDE BEARING		
27	27N-113H	NON-HANDLE SIDE PLATE		

NOTE: Many of [www.pennparts.com](http://www.pennparts.com) schematics include changes that were either made by Penn, or errors found and corrected by our parts dept.  
SBT Ver. 062009

NOTE: Substitute 2 of the 37-113 frame posts for one of the bars below, which are no longer available

37C	37C-113HL	SPACER BAR (REAR) ("Senator II")
37N	37N-113H	SPACER BAR (FRONT) ("113H")