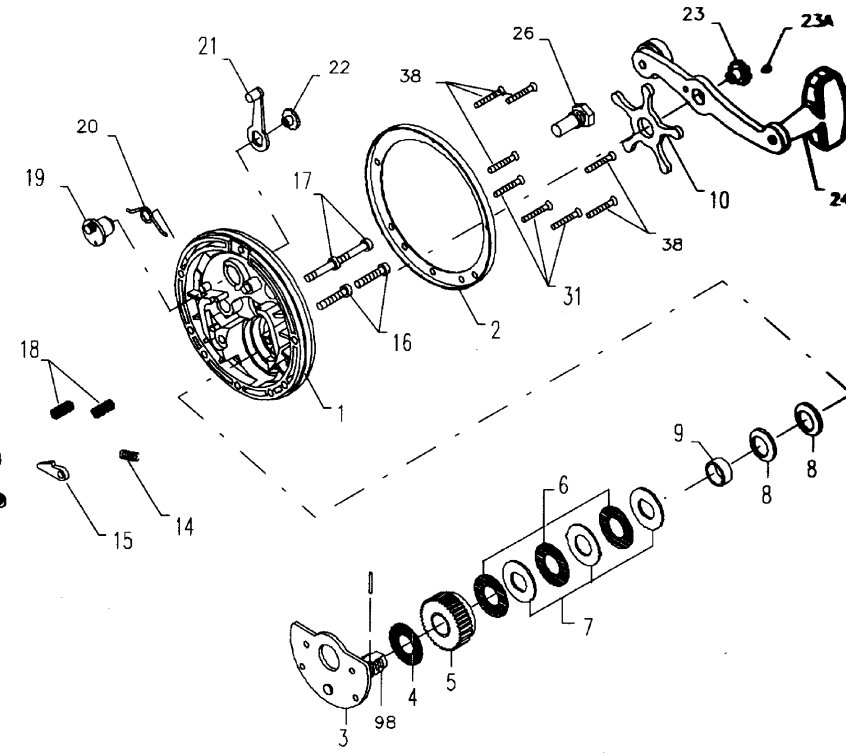
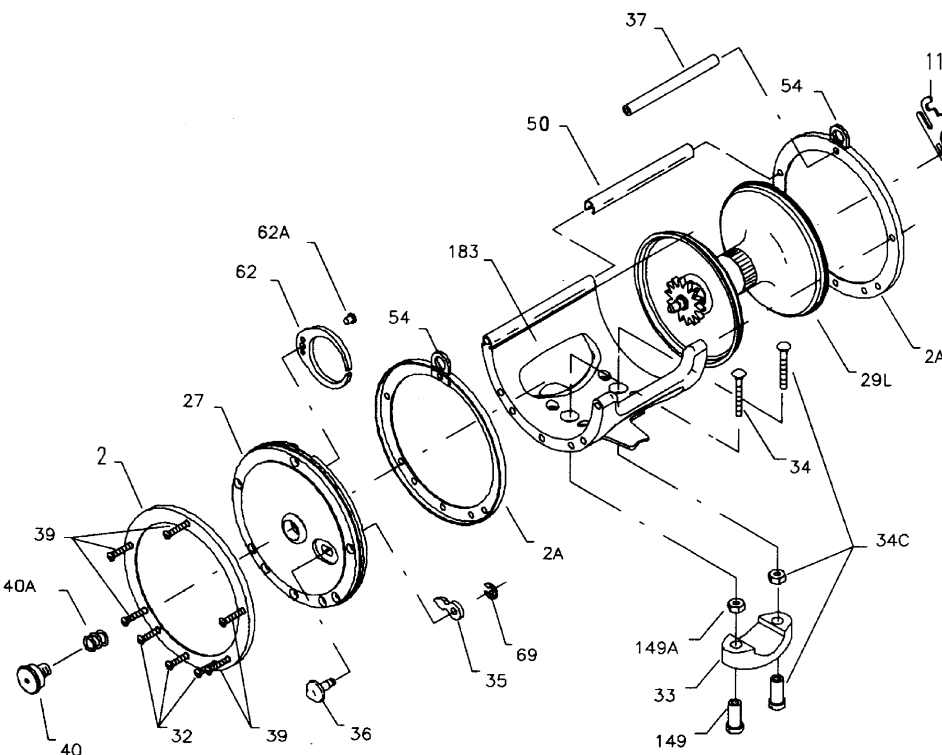




# 4/0 Senator 113 Half Frame Version



[www.PENNparts.com](http://www.PENNparts.com)  
**Scott's Bait & Tackle**  
Penn Parts Dept.  
945 Radio Road  
Tuckerton NJ 08087  
(609) 296-1300  
No Minimum Order!  
Plus, Parts in stock  
that Penn doesn't  
carry anymore.

**SBT Ver. 112207**

## Penn Reel Parts list for Model: 113 4/0 Senator (Half Frame Version)

KEY NO	PART NO.	DESCRIPTION	KEY NO	PART NO.	DESCRIPTION
1	1-113	HANDLE SIDE PLATE	24	24-66	HANDLE
2	2-113-O	OUTER RING (2 REQ.)	26	26-60	HANDLE SIDE BEARING
2A	2-113-I	INNER RING (2 REQ.)	27	27-113	NON-HANDLE SIDE PLATE
3	3-113	BRIDGE W/ SLEEVE	29	29L-113	SPOOL
4	4-60	FIBER WASHER	30	30-113	STAND
5	5-66	MAIN GEAR	31	32-17	HANDLE SIDE STAND SCREW
6	6-113	DRAG WASHER (3 REQ.)	32	39-9	NON-HANDLE SIDE STAND SCREW (3 REQ)
7	7C-60	METAL DRAG WASHER SET	33	33-113	ROD CLAMP
8	8-60	TENSION SPRING (2 REQ.)	*	33R-200	RINGED ROD CLAMP (OPTIONAL)
9	9-66	SPACING SLEEVES	34	34-45	CLAMP SCREW (2 REQ.)
10	10-66	STAR DRAG WHEEL	34C	34C-45	ROD CLAMP SCREW W/ NUTS
11	11-113	ECCENTRIC JACK	35	35-60	CLICK TONGUE
12	12-113	PINION YOKE	36	36-113	CLICK BUTTON
13	13-113	PINION	37	37-113	FRAME POST
14	14-99	DOG SPRING	38	39-9	HANDLE SIDE SCREW (5 REQ.)
15	15-99	DOG	39	39-9	NON-HANDLE SIDE SCREW (5 REQ.)
16	16-60CH	LOWER BRIDGE SCREW (2 REQ.)	40	40-60	NON-HANDLE SIDE BEARING
17	17-60CH	UPPER BRIDGE SCREW (2 REQ.)	41	41-60	NON-HANDLE SIDE BEARING SPRING
18	18-60	CLUTCH SPRING (2 REQ.)	50	50-113HL	FRAME COVER POST
19	19-113	ECCENTRIC	54	54-113	HARNES LUG (2 REQ.)
20	20-155	ECCENTRIC SPRING	62	62-309	CLICK SPRING
21	21-66	ECCENTRIC LEVER	62A	63-209	CLICK SPRING SCREW
22	22-99	ECCENTRIC SCREW	69	69B-600	RETAINING RING
23	23-60	HANDLE SCREW	98	98-60	GEAR SLEEVE
23A	110-60	HANDLE LOCK SCREW	149	149-45	ROD CLAMP NUT (2 REQ.)
			149	149-200	HEX NUT (2 REQ.)
			183	183-113	FRAME

\* *Not Shown*

NOTE: Many of [www.pennparts.com](http://www.pennparts.com) schematics include changes that were either made by Penn, or errors found and corrected by our parts dept.

SBT Ver. 112207