

www.PENNparts.com

Scott's Bait & Tackle

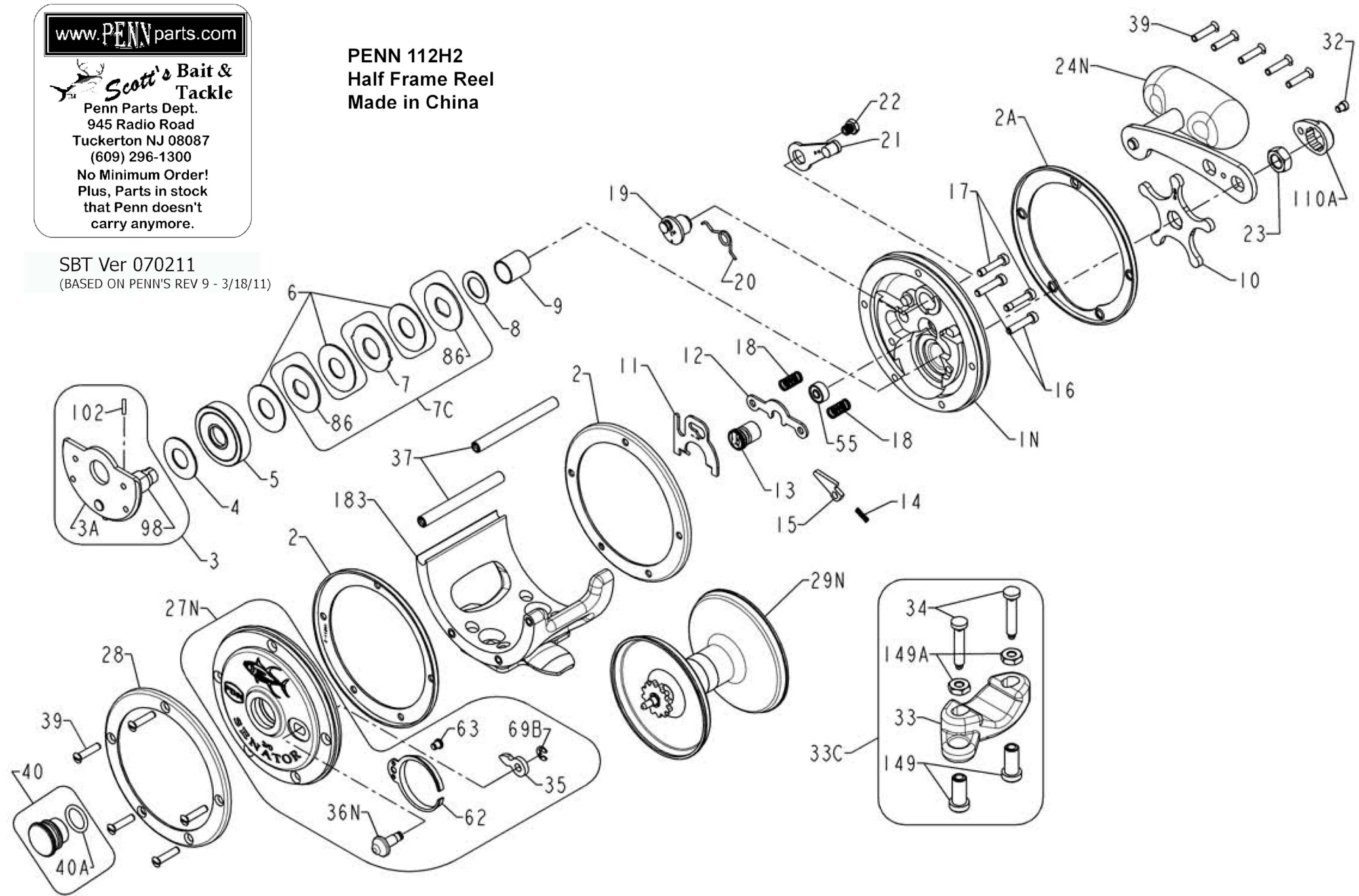
Penn Parts Dept.
945 Radio Road
Tuckerton NJ 08087
(609) 296-1300

No Minimum Order!
Plus, Parts in stock
that Penn doesn't
carry anymore.

PENN 112H2
Half Frame Reel
Made in China

SBT Ver 070211

(BASED ON PENN'S REV 9 - 3/18/11)



Penn Reel Parts list for Model: 112H2 Half Frame, China Made

KEY NO	PART NO.	PureFishing Part No.	DESCRIPTION	KEY NO	PART NO.	PureFishing Part No.	DESCRIPTION
1	1N-112H	1197480	HANDLE SIDE PLATE	27	27N-112H	1197520	NON-HANDLE SIDE PLATE
2	2-112H2i	1197486	INNER RING (2 REQUIRED)	28	28-112H2	1197526	OUTER NON-HANDLE SIDE RING
2A	2-112H2o	1197487	OUTER HANDLE SIDE RING	29	29N-112H	1197529	SPOOL
3	3N-112H	1197493	BRIDGE W/ SLEEVE	32	32-15	1182708	HANDLE NUT CAP SCREW
3A	3-112H-1	1197494	BRIDGE sub assembly only	33	33N-113	1182754	ROD CLAMP, GRAPHITE W/RING
4	4-60	1180755	FIBER WASHER	*	33R-200	1182738	RINGED METAL ROD CLAMP (OPTIONAL)
5	5-112H	1190955	MAIN GEAR	33C	33C-112H2	1197533	KIT, GRAPHITE ROD CLAMP W/STUDS & NUTS
6	6-309	1180917	DRAG WASHER (3 REQUIRED)	34	34-16VS	1182786	CLAMP SCREW (2 REQUIRED)
7	7-500	1181018	METAL EARRER WASHER ONLY	35	35-60	1182901	CLICK TONGUE
7C	7C-500	1181051	METAL DRAG WASHER SET (3 REQUIRED)	36	36N-209	1183048	CLICK BUTTON
8	8-60	1181056	TENSION SPRING	37	37-65	1183060	FRAME POST (2 REQUIRED)
9	9-60	1181144	SPACING SLEEVE	39	39-112H	1197540	SIDE PLATE SCREW (10 REQUIRED)
10	10-112H	1197509	STAR DRAG WHEEL	40	40N-113HL	1197542	NON-HANDLE SIDE BEARING
11	11-99	1181230	ECCENTRIC JACK	40A	120-113H	1184522	O'RING FOR NON-HANDLE SIDE BEARING
12	12-112H	1192591	PINION YOKE	55	55-113H	1183880	NON-HANDLE SIDE BEARING
13	13-112H	1197512	PINION	62	62-309	1184028	CLICK SPRING
14	14-99	1181393	DOG SPRING	63	63-209	1184048	CLICK SPRING SCREW
15	15-309	1181457	DOG	69	69B-600	1184129	CLICKER RETAINING RING
16	16-60CH	1181565	LOWER BRIDGE SCREW (2 REQUIRED)	86	86-500	1184261	KEYED METAL WASHER ONLY
17	17-60CH	1181594	UPPER BRIDGE SCREW (2 REQUIRED)	98	98-112H	1198890	GEAR SLEEVE WITH PIN
18	18-60	1181615	CLUTCH SPRING (2 REQUIRED)	102	102-60	1184408	GEAR SLEEVE PIN ONLY
19	19-250	1181676	ECCENTRIC	110A	110A-555	1184442	HANDLE LOCK CAP
20	20-60L	1181756	ECCENTRIC SPRING	149	149-45	1184702	ROD CLAMP NUT, LONG (2 REQUIRED)
21	21-49	1181831	ECCENTRIC LEVER	149A	149-200	1184706	ROD CLAMP NUT, HEX (2 REQUIRED)
22	22-112H2	1197513	ECCENTRIC SCREW	183	183-112H	1198899	FRAME, HALF FRAME
23	23-555	1181950	HANDLE SCREW	* Not Shown			
24	24-113L2	1197518	HANDLE				

NOTE: Many of www.pennparts.com schematics include changes that were either made by Penn, or errors found and corrected by our parts dept.

SBT Ver. 101213 based on Penn's Rev. 9 -3/18/11