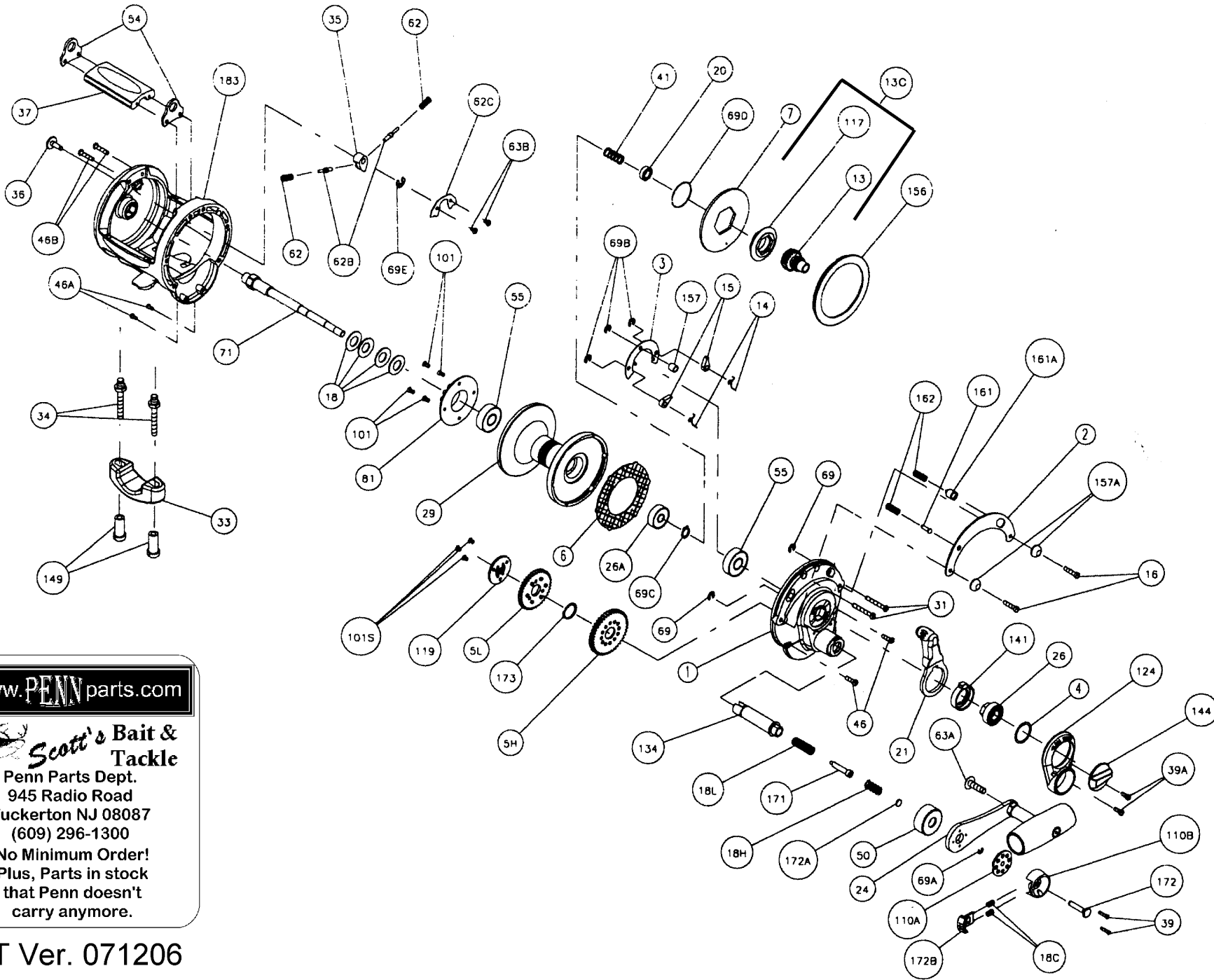




# PARTS LIST FOR MODEL 10KG



[www.PENNparts.com](http://www.PENNparts.com)

**Scott's Bait & Tackle**

Penn Parts Dept.  
945 Radio Road  
Tuckerton NJ 08087  
(609) 296-1300

No Minimum Order!  
Plus, Parts in stock  
that Penn doesn't  
carry anymore.

# Penn Reel Parts list for Model: 10KG

KEY NO	PART NO.	DESCRIPTION	KEY NO	PART NO.	DESCRIPTION
1	1-15KG	RIGHT SIDE PLATE ASSEMBLY	62	62-545	CLICK SPRING
2	2-15KG	QUADRANT RING	62B	62B-525	CLICK PIN (2 REQ.)
3	3-15KG	DOG BRIDGE	62C	62C-15KG	CLICK SPRING COVER
4	4-12	CAM TEFLON WASHER	63A	63A-50	HANDLE STUD SCREW
5H	5-15KGHS	MAIN GEAR (HIGH SPEED)	63B	63-500S	SPRING COVER SCREW (2 REQ.)
5L	5-15KGLS	MAIN GEAR (LOW SPEED)	63C	63-50	SCREW
6	6-15KG	DRAG WASHER	69	69B-50	RETAINING RING (2 REQ.)
7	7-15KG	METAL DRAG WASHER	69A	69B-30S	RETAINING RING
13	13-15KG	PINION GEAR	69B	69B-600	RETAINING RING (3 REQ.)
14	14-15KG	DOG SPRING (2 REQ.)	69C	69C-15KG	SPINDLE RETANING RING
15	15-15KG	DOG (2 REQ.)	69D	69D-15KG	RETAINING RING
16	16-60CH	SIDE PLATE SCREW (2 REQ.)	69E	69B-600	RETAINING RING
18	18-50TW	DISC CLUTCH SPRING (4 REQ.)	71	71-10KG	SPOOL SPINDLE
18C	18C-15KG	SHIFT BUTTON SPRING (2 REQ.)	81	81-40	CLICK RATCHET
18H	18H-15KG	SHIFT SPRING (HEAVY)	91	91N-50	HANDLE RIVET
18L	18L-15KG	SHIFT SPRING (LIGHT)	101	101-30	RATCHET SCREW (4 REQ.)
20	20-4200	SPINDLE BALL BEARING	101S	101-50S	RETAINING PLATE SCREW (4 REQ.)
21	21-15KG	ECCENTRIC LEVER	110A	110A-15KG	HANDLE LOCKING PLATE
24	24-15KG	HANDLE COMPLETE	110B	110B-15KG	SHIFT HOUSING
24A	24-15KG-1	HANDLE BLANK	117	117-15KG	DRIVE PLATE
24C	24C-50	HANDLE KNOB CAP	119	119-15KG	RETAINING PLATE
25	25-50	HANDLE KNOB	124	124-15KG	BRIDGE COVER
26	26-15KG	BUSHING	134	134-15KG	GEAR STUD
26A	26-40	SPOOL BALL BEARING	141	141-15KG	CAM FOLLOWER
29	29L-10KG	SPOOL	144	144-15KG	PRESET KNOB
31	31-15KG	LONG SCREW (2 REQ.)	149	149-45	ROD CLAMP NUT (2 REQ.)
33	33-113	ROD CLAMP	156	156-15KG	DRAG COVER
34	34-975	ROD CLAMP SCREW (2 REQ.)	157	157-50	SPACER BUSHING
35	35-310N	CLICK TONGUE	157A	157-15KG	SPACER BUSHING
36	36-15KG	CLICK BUTTON	161	161-25	FREE SPOOL BUTTON
37	37A-10KG	TOP SPACER BAR	161A	161-40	STRIKE BUTTON
39	39-1	SHIFT HOUSING SCREW (2 REQ.)	162	162-50	BUTTON SPRING (2 REQ.)
39A	39-15KG	BRIDGE SCREW (2 REQ.)	171	171-15KG	SHIFT PLUNGER
41	41-15KG	SPINDLE SPRING	172	172-15KG	SHIFT BUTTON (LOW)
46	46-750	SHORT SCREW (2 REQ.)	172A	172A-15KG	SPRING SPACER
46A	32-2	FRAME SCREW (2 REQ.)	172B	172B-15KG	SHIFT BUTTON (HIGH)
46B	46-9500	LONG FRAME SCREW (2 REQ.)	173	173-15KG	RETAINING RING
50	50-15KG	GEAR STUD SHIELD	183	183-10KG	FRAME
54	54-15KG	HARNES LUG (2 REQ.)			
55	55-50	BALL BEARING (2 REQ.)			

NOTE: Many of www.pennparts.com schematics include changes that were either made by Penn, or errors found and corrected by our parts dept.  
SBT Ver. 071206

## UPGRADE NOTES - Handle

Penn started subbing handle to 24M-15KG in 2005  
To use the new number, you also need to change the screw (key#39 ) to 23-15KG