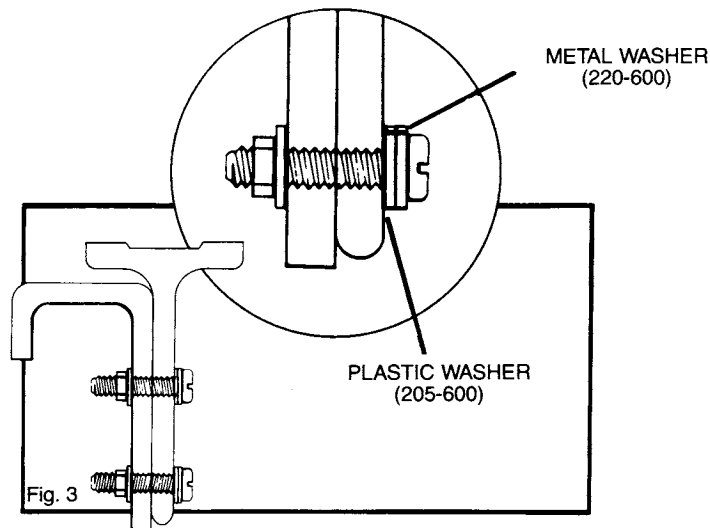


If in doubt about the thickness or strength of the material to which the T-Mount is being fastened, extra mounting screws should be used.

Before drilling extra mounting holes in the T-Mount, mark the locations with a center punch. This will prevent the drill bit from "walking" and scratching the anodized surface.

Tighten nuts, bolts, screws, etc., evenly and tightly, but be sure not to overtighten and risk stripping the threads.



LIMITED WARRANTY

Penn Fishing Tackle Mfg. Co. warrants your T-Mount to be free from defects in materials and workmanship for a period of one year from the date of purchase. This warranty does not cover damage or malfunctions caused by accident, abuse or normal expected wear. If your T-Mount has a defect within the terms of the warranty, you should return it to us, with proof of purchase, insured, at the address indicated below, and we will repair or replace the product, at our option, without further cost to you. If, however, the repair is not covered by the provisions of this warranty, the unit will be repaired and returned to you at a reasonable charge for labor, parts and return postage.

Loss of Fathom-Master® is not covered by warranty under any circumstances. All other losses of related items are not covered by warranty.

ALL WARRANTIES WHICH MAY BE IMPLIED BY OPERATION OF LAW, INCLUDING BUT NOT LIMITED TO WARRANTIES OF MERCHANTABILITY AND WARRANTIES OF FITNESS FOR ANY PARTICULAR PURPOSE, SHALL BE LIMITED TO ONE YEAR FROM THE DATE OF PURCHASE. IN NO EVENT SHALL PENN FISHING TACKLE MFG. CO. BE LIABLE FOR CONSEQUENTIAL OR SPECIAL DAMAGES FOR BREACH OF THIS WARRANTY OR ANY OTHER WARRANTY WHICH MAY BE IMPLIED BY LAW.

SOME STATES DO NOT ALLOW LIMITATIONS ON HOW LONG AN IMPLIED WARRANTY LASTS, AND SOME STATES DO NOT ALLOW THE EXCLUSION OF CONSEQUENTIAL OR SPECIAL DAMAGES, SO THE ABOVE LIMITATION AND/OR EXCLUSION MAY NOT APPLY TO YOU.

THIS WARRANTY GIVES YOU SPECIFIC LEGAL RIGHTS, AND YOU MAY ALSO HAVE OTHER RIGHTS WHICH VARY FROM STATE TO STATE.

PENN FISHING TACKLE MFG. CO.
Warranty Service Department
3028 W. Hunting Park Avenue
Philadelphia, Pennsylvania 19132
Telephone: (215) 229-9415

PENN FISHING TACKLE MFG. CO.
Western Warehouse
550 W. Patrice Place
Gardena, CA 90248 Unit A
Telephone: (213) 327-2531

MADE AND PRINTED IN U.S.A. PATENTS PENDING. FATHOM-MASTER® IS A REGISTERED NAME OF PENN FISHING TACKLE MFG. CO.

PENN FISHING TACKLE MFG. CO. RESERVES THE RIGHT TO DISCONTINUE MODELS AND MAKE CHANGES IN DESIGN SPECIFICATIONS WITHOUT NOTICE.

PENN'S POLICY OF ONGOING RESEARCH AND DEVELOPMENT MAY NECESSITATE DESIGN CHANGES TO BRING YOU PRODUCT PERFORMANCE IMPROVEMENT.

PATENT NOS. 4,044,489 • 4,167,829 • 4,215,505 • 4,251,940 • 3,961,438 • 3,967,405 • 3,974,589 • Other patents pending



built by PENN FISHING TACKLE MFG. CO.
3028 W. HUNTING PARK AVENUE, PHILADELPHIA, PENNSYLVANIA 19132



HOW TO INSTALL FATHOM-MASTER T-MOUNT #635

1. Select a mounting area for the T-Mount. Refer to your Fathom-Master owner's manual about locations, assembly of swivel base, boom clearance, etc.

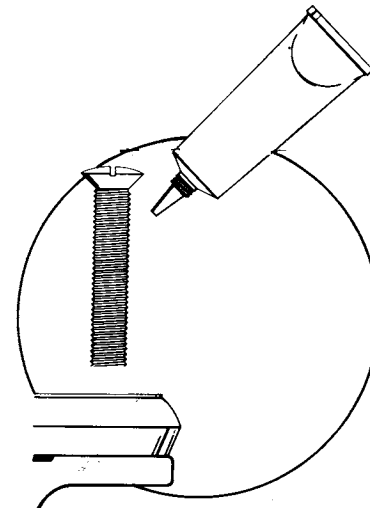
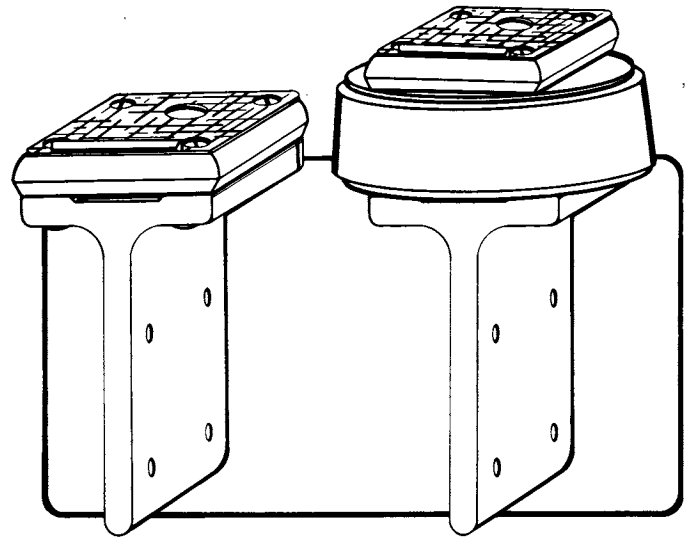
2. Install the #620 swivel base or #600 stationary base on the T-Mount. Consult the owner's manual for the proper orientation of the base. This would depend on where you are going to install the T-Mount on the boat. Use the 4 mounting screws (part #250-600 or part #209-600) furnished with your downrigger. The 4 washers (#220-600) and 4 nuts (part #211-600) will be used later for mounting the T-Mount to the boat. For a neat installation, saw and *file smooth* the 4 base mounting screws so that they are flush or slightly protrude below the underside of the T-Mount. When sawing the screws off use a thin strip of wood or tape to protect the anodized finish of the T-Mount.

NOTE: Before you drill any mounting holes, temporarily mount your downrigger on the T-Mount and recheck where you intend to fasten the T-Mount to the boat. At this point be sure to check again that your base is properly oriented on the T-Mount. Now is the time to check on this, before you start installing the T-Mount.

IMPORTANT: Thoroughly coat the threads with *water-proof* grease before installing (to prevent corrosion between dissimilar metals). See Fig. 1.

3. Through bolt the T-Mount to the inside of the boat using 4 (1/4" x 20) pan or round head machine screws (not furnished by Penn). Use the 4 metal washers (part #220-600) and 4 plastic insulating washers (part #205-600) that came with the T-Mount. Sandwich the washers between the bolt head and the T-Mount. The plastic insulating washers must be making contact with the T-Mount surface. The metal washers must contact with the head of the bolts. A backing plate is recommended; for some types of boats it is a must. Use 1/2" (12.7 M.M.) thick water-proof plywood or other suitable material. The purpose of the backing plate is to distribute the stress and strain created by the downrigger over a larger area of the boat (fast trolling, catching bottom with the drag too tight, using large planers, etc.). See Fig. 2

4. If through bolting of the T-Mount is not practical, check with your dealer for other methods of securing: expanding nuts, toggle bolts, size 14 sheet metal screws, etc. In any event, use the plastic insulating washers and metal washers as explained in step 3. Be sure to coat the inside of the holes of the T-Mount with *water-proof* grease (to prevent corrosion between dissimilar metals).



WATER PROOF GREASE

Fig. 1

WHEN THE T-MOUNT IS USED IN SALT WATER THE BASE MOUNTING BOLTS SHOULD BE REMOVED AND GREASED ONCE A YEAR.

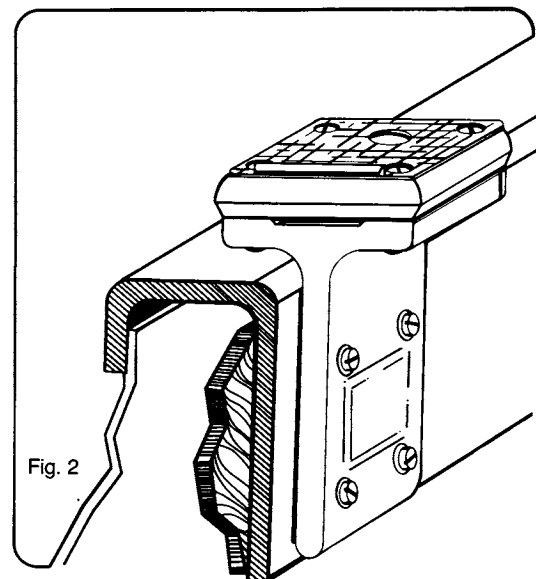


Fig. 2